

Data sheet

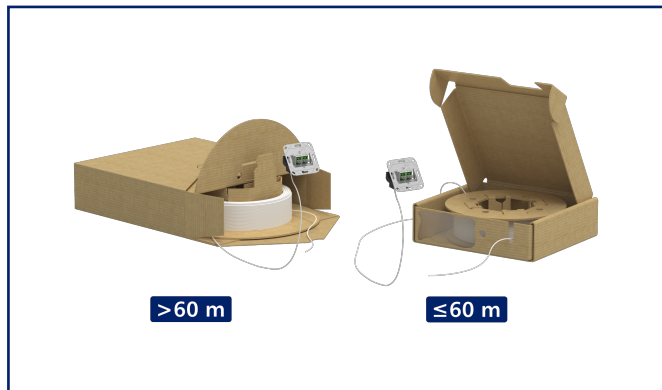
OpDAT VGAD UP0 splice 4xLC APC OS2,
cable \varnothing 2.3 mm

Page 1/4

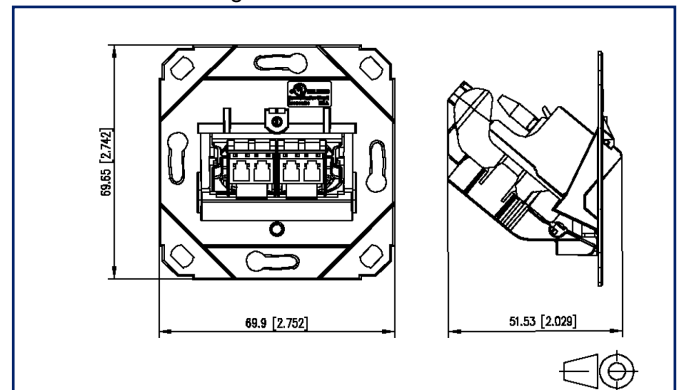
P/N
150F049DK00XXE

2026/05/19
Version: B

Illustrations



Dimensional drawing



See enlarged drawings at the end of document

Product specification

- Compact fiber optic wall outlet (UP0) for installation in flush-mounted, cavity wall, and raceway boxes with a minimum depth of 45 mm.
- fully designable - compatible with the centre pieces and cover plates from standard switch lines
- Box ready for installation, pre-terminated with singlemode indoor cable and equipped with 2xLC-D-adapters including laser protection for the connection of up to four fiber optic patch cables.
- Cable fixed with cable ties and strain-relieved with Kevlar
- The second cable end is open to be inserted, pulled in or blown into empty tubes. Suitable for splicing or for mounting field attachable fiber optic connectors (OpDAT FAST® Hybrid).
- cable easy to mount on carton drum
- quick and easy unwinding of the cable without removing the cable drum from the outer box for cable lengths of 10 - 60 m
- FITH cable, white, \varnothing 2.3 mm
- single mode fiber OS2, E9/125 μ m, bend insensitive according to ITU-T G.657.A2, compatible to G.652.D
- all available variants can be created with the configurator

Data sheet

**OpDAT VGAD UP0 splice 4xLC APC OS2,
cable ø 2.3 mm**

P/N
150F049DK00XXE

2026/05/19
Version: B

Technical Data

General Data	
Design	wall outlet
Mounting style	UP0
Mounting in standard flush-mounted and cavity wall cups	yes
Transmission technology	Fiber optic
Compatible with design centerpieces of switch programs	yes, see compatibility list
Dimensions	
Dimension (L x W x H)	69.9 mm x 69.9 mm x 51.5 mm
Dimension (L x W x H)	2.752 in. x 2.752 in. x 2.028 in.
Installation depth	45 mm
Installation depth	1.772 in.
Mode type of the fiber	Singlemode
Fiber class	OS2
Shape	APC (Angled Physical Contact)
Fiber construction	9/125 µm

Connections/interfaces	
Connector technology interface 1	LC APC
Number of ports interface 1	4
Number of equipped ports interface 1	4
Number of ports with dust protection interface 1	4
Cable sheath diameter (min. - max.)	
Cable sheath diameter	2.3 mm
Cable sheath diameter	0.09 in.
Connection cable length	0 m
Connection cable length	131.23 ft

Electrical/ optical properties	
Insertion loss	max. 0,3 dB

Data sheet

**OpDAT VGAD UP0 splice 4xLC APC OS2,
cable ø 2.3 mm**

Page 4/4

P/N
150F049DK00XXE

2026/05/19
Version: B

Illustrations

Dimensional drawing

