

Data sheet

C6_A modul 24 port 180°M 1RU, black

Page 1/11

P/N
130B11P0-BK-E

EAN 4251394685830

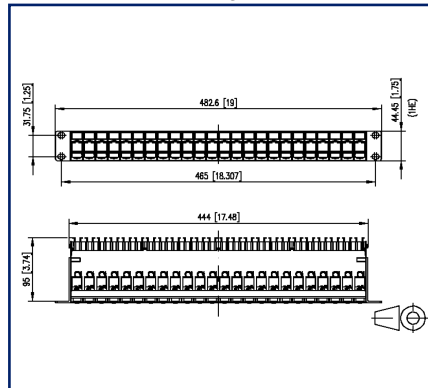
2026/02/19

Version: E

Illustrations



Dimensional drawing



Cut-out



See enlarged drawings at the end of document

Product specification

- 19 inch 1RU module frame with 24 individual modules C6_A modul 180° black
- certified to GHMT Cat.6_A re-embedded PVP
- Cat.6_A component test according to ISO/IEC 11801, DIN EN 50173-1, ANSI/TIA-568.2-D and IEC 60603-7-51, GHMT certified
- compliance with class E_A up to 500 MHz according to ISO/IEC 11801, DIN EN 50173-1
- tested: component up to 600 MHz, link up to 800 MHz
- suitable for 10 GBit Ethernet (IEEE 802.3an), Remote Powering (PoE, PoE plus, UPoE and 4PPoE) and HDBaseT, SAT-IP, AVoverIP
- connection of data lines AWG 26/1 to 22/1 (solid wire) and AWG 26/7 to 22/7 (stranded wire) to insulation displacement connectors (IDC)
- migration to 25G-systems without special tools
- module frame front made of black anodized aluminum
- module support made of black plastic with dust protection covers (other colors available as accessories) detachable to the front
- integrated cable support with optional strain relief
- label window for enclosed identification labels
- label sheet 210 x 297 mm see accessory
- grounding bolt M6 x 10 with nut and lock washer
- incl. 30 cm grounding cable
- all fully shielded modules connected by means of grounding rail



C6_Amodul 24 port 180°M 1RU, black

P/N
130B11P0-BK-E
EAN 4251394685830
 2026/02/19
 Version: E

Technical Data

General Data

Fields of application	structured building cabling office areas Distributed building services data center
Mechanical measurement according to MICE	M1
Ingress measurement according to MICE	I1
Climatic measurement according to MICE	C1
Electromagnetic measurement according to MICE	E2
Design	patch panel
Mounting style	1RU
Shielding	shielded
Transmission technology	Copper
Wiring	T568A, T568B
Color	RAL 9005 - black
Dimensions	
Dimension (L x W x H)	95 mm x 482.6 mm x 44.45 mm
Dimension (L x W x H)	3.74 in. x 19 in. x 1.75 in.
Height unit	1RU
Labeling option	label window with identification label + printed numbers
Marking option	by dust protection

Transmission characteristics

Category (ISO)	6 _A
Class (ISO/IEC)	E _A
Category (TIA)	6 _A
Remote Powering	yes
PoE	IEEE 802.3af
PoE plus	IEEE 802.3at
UPoE	yes
4PPoE	IEEE 802.3bt
HDBaseT	yes
Transmission rate up to 100 MBit (Fast Ethernet)	IEEE 802.3bw
Transmission rate up to 1 GBit (Fast Ethernet)	IEEE 902.3ab
Transmission rate up to 10 GBit	IEEE 802.3an

C6_Amodul 24 port 180°M 1RU, black

P/N
130B11P0-BK-E
EAN 4251394685830
2026/02/19
Version: E

Technical Data

Connections/interfaces

Connector technology interface 1	IDC-connection
Connector technology interface 2	RJ45-jack
Number of ports interface 2	24
Number of ports interface 2 equipped	24
Number of ports with dust protection interface 2	24
Number of positions/contacts interface 1	24 x 8
Number of positions/contacts interface 2	24 x 8P/8C
Termination data, solid wire (min. - max.)	
Conductor cross section, solid wire	AWG 26/1 - AWG 22/1
Conductor cross section, solid wire	0.128 mm ² - 0.324 mm ²
Conductor diameter, solid wire (bare copper)	0.409 mm - 0.643 mm
Conductor diameter, solid wire (bare copper)	0.016 in. - 0.025 in.
Termination data, stranded wire (min. - max.)	
Conductor cross section, stranded wire	AWG 26/7
Conductor cross section, stranded wire	0.141 mm ² - 0.355 mm ²
Conductor diameter, stranded wire (bare copper)	0.483 mm - 0.762 mm
Conductor diameter, stranded wire (bare copper)	0.019 in. - 0.03 in.
Core diameter (min. - max.)	
Core diameter (conductor with insulation)	1 mm - 1.6 mm
Core diameter (conductor with insulation)	0.039 in. - 0.063 in.
Cable sheath diameter (min. - max.)	
Cable sheath diameter	5.5 mm - 10

Electrical characteristics

Current carrying capacity	max. 1 A at 60 °C
Rated voltage	max. 60 V DC
Contact resistance	max. 20 mOhm
Through resistance	max. 200 mOhm
Insulation resistance	min. 500 MOhm
Dielectric strength conductor-conductor (secondary)	max. 1000 V DC
Dielectric strength conductor-conductor, peak value (secondary)	max. 1.000 V AC
Dielectric strength conductor-shield	max. 1500 V DC



C6_Amodul 24 port 180°M 1RU, black

P/N
130B11P0-BK-E
EAN 4251394685830
 2026/02/19
 Version: E

Technical Data

Electrical characteristics

Dielectric strength conductor-shield, peak value	max. 1500 V AC
--	----------------

Mechanical data

Insertion and withdrawal force	max. 30 N
Life - Number of mating cycles	min. 1000
Position/mounting of latch standard installation position	top
strain relief	latching clip

Materials and material properties

Material - Jack housing	GD-Zn
Material - Jack contact	Spring steel
Material - Jack contact finish	AuCo
Material - Jack shield	CuSn6
Material - Stuffer cap	PA 6.6 UL94 V0
Material - Strain relief	ABS
Material - Front cover	Al (Aluminium)
Material - Front cover finish	black anodized
Material - Module support	ABS
Material - Module support finish	black
Material - Cable guide	ABS
Material - Dust protection	ABS
Material - Label window	ABS, transparent
RoHS	compliant

Environmental conditions

Temperature (min. - max.)	
Temperature - Storage °C	-40 °C - 70 °C
Temperature - Storage °F	-40 °F - 158 °F
Temperature - Operating °C	-40 °C - 70 °C
Temperature - Operating °F	-40 °F - 158 °F

Data sheet
C6_Amodul 24 port 180°M 1RU, black

Page 5/11

P/N
130B11P0-BK-E
EAN 4251394685830
 2026/02/19
 Version: E

Technical Data

Certifications

GHMT PVP		yes
----------	---	-----

Standards/Regulations

Generic cabling systems		
General requirements	ISO/IEC 11801-1:2017-11 DIN EN 50173-1:2018-10 ANSI/TIA-568.2-D	
Office buildings	ISO/IEC 11801-2:2017-11 DIN EN 50173-2:2018-10 ANSI/TIA-568.2-D	
Living units	ISO/IEC 11801-4:2017-11 DIN EN 50173-4:2018-10 ANSI/TIA-570-D	
Data centers	ISO/IEC 11801-5:2017-11 DIN EN 50173-5:2018-10 ANSI/TIA-942-B	
Connectors for electronic equipment		
Free and fixed connectors	DIN EN 60603-7-51:2011-01, DIN EN 60603-7:2019-11, DIN EN 60603-7-1:2012-01	
Connectors for electronic equipment - Tests and measurements		
Test standard for connectors (engaging and separating connectors under electrical load)	DIN-EN 60512-99-001, DIN-EN 60512-99-002	
Endurance tests	DIN EN 60603-7:2019-11, DIN EN 60603-7-1:2012-01	

Classifications

ETIM 7.0	EC001128
ETIM 8.0	EC001128
ETIM 9.0	EC001128
ETIM 10.0	EC001128

Packing details

Type of packaging	1 pc(s) / box
-------------------	---------------

Data sheet

Page 6/11

C6_Amodul 24 port 180°M 1RU, black

P/N

130B11P0-BK-E**EAN 4251394685830**

2026/02/19

Version: E

Technical Data

Application note

This product is a standard product of METZ CONNECT. METZ CONNECT is not aware of the specific intended use of the goods by the Customer or any customers of the Customer. The Customer guarantees that it has fully and sufficiently tested the use of the goods and any product modifications, product changes or product enhancements with regard to the specific intended use in accordance with the state of the art or in any other way. At METZ CONNECT's request, the Customer shall submit and make available meaningful evidence (e.g. test and laboratory protocols, certifications, etc.).



C6_Amodul 24 port 180°M 1RU, black

P/N
130B11P0-BK-E
EAN 4251394685830
 2026/02/19
 Version: E

Accessories

P/N	Designation
130792	Mounting kit, cage nuts M6
130898-00-I	BLIND module light gray
130898-00-RW-I	BLIND module pure white
130898-01-I	COAX modul F jack / F jack
130898-02-I	COAX modul IEC jack / F jack
130898-03-I	COAX modul IEC plug / F jack
130908-I-B1	UAE modul Cat.5e white
130909-I	UAE modul Cat.6 jack white
130910-DNV	E-DAT modul Cat.6 _A 8(8) jack DNV
130910-I	E-DAT modul Cat.6 _A 8(8) jack
130910-Z	E-DAT modul Cat.6 _A 8(8) jack, (12 pcs)
1309A0-I	E-DAT modul coupler 8(8) 180° class E _A
130A11-29-I	UAE modul 8(8) Cat.6 _A black
130A11-I	UAE modul 8(8) Cat.6 _A white
130B11-25-E	25Gmodul
130B11-25-Z	25Gmodul (12 pcs)
130B11-DNV	C6 _A modul 180° jack DNV
130B11-E	C6 _A modul 180° jack
130B11-Z	C6 _A modul 180° jack (12 pcs)
15091001-I	OpDAT modul ST SM+MM
15091071-I	OpDAT modul LC-Duplex OS2
15091072-I	OpDAT modul LC-Duplex OM3
15091075-I	OpDAT modul LC-Duplex OM4
15091076-I	OpDAT modul LC-Duplex APC OS2
1509107B-I	OpDAT modul LC-Duplex MM
816979-0103-I	Dust protection covers for Modul patch panels subway / REG gray
816979-0105-I	Dust protection covers for Modul patch panels subway / REG yellow
816979-0106-I	Dust protection covers for Modul patch panels subway / REG blue
816979-0107-I	Dust protection covers for Modul patch panels subway / REG green
816979-0108-I	Dust protection covers for Modul patch panels subway / REG red

Data sheet

Page 8/11

C6_Amodul 24 port 180°M 1RU, black

P/N

130B11P0-BK-E

EAN 4251394685830

2026/02/19

Version: E

Accessories

860211-Z

Cover for MC panel gray



Data sheet

Page 9/11

C6_Amodul 24 port 180°M 1RU, black

P/N

130B11P0-BK-E**EAN 4251394685830**

2026/02/19

Version: E

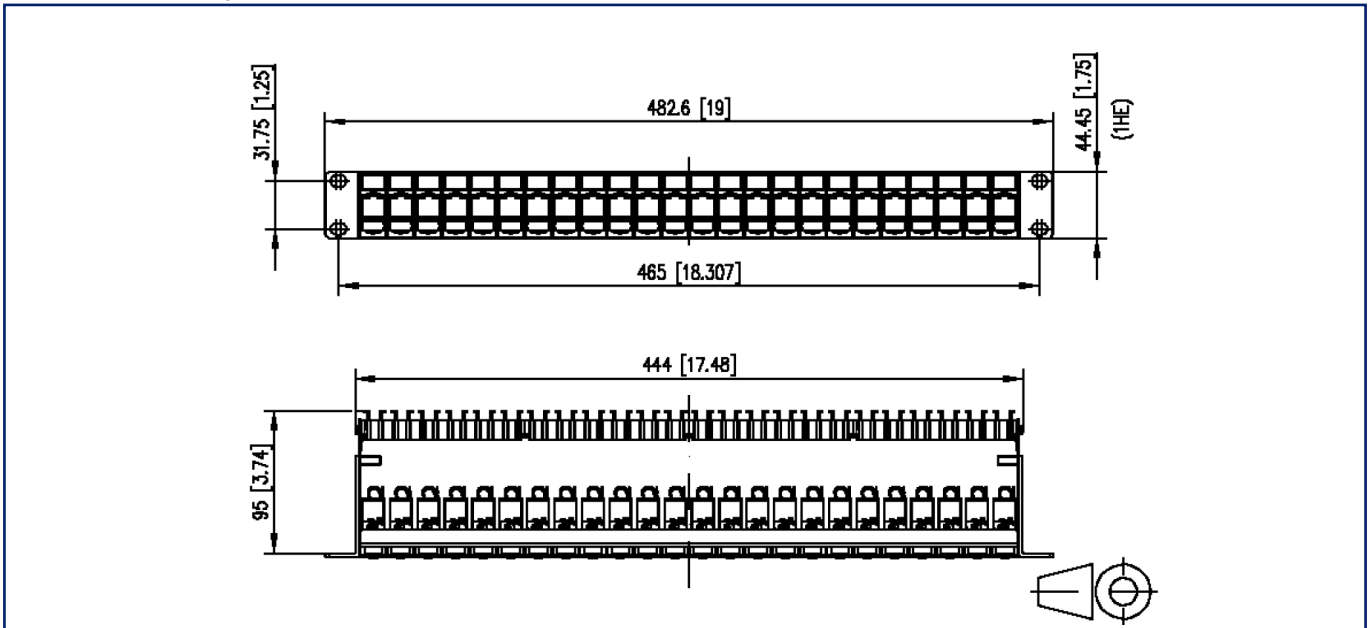
Accessories from

P/N	Designation
130862-1H20-E	Surface mount housing for 19 inches patch panels 1RU pure white
130862-2H20-E	Surface mount housing for 19 inches patch panels 2RU pure white

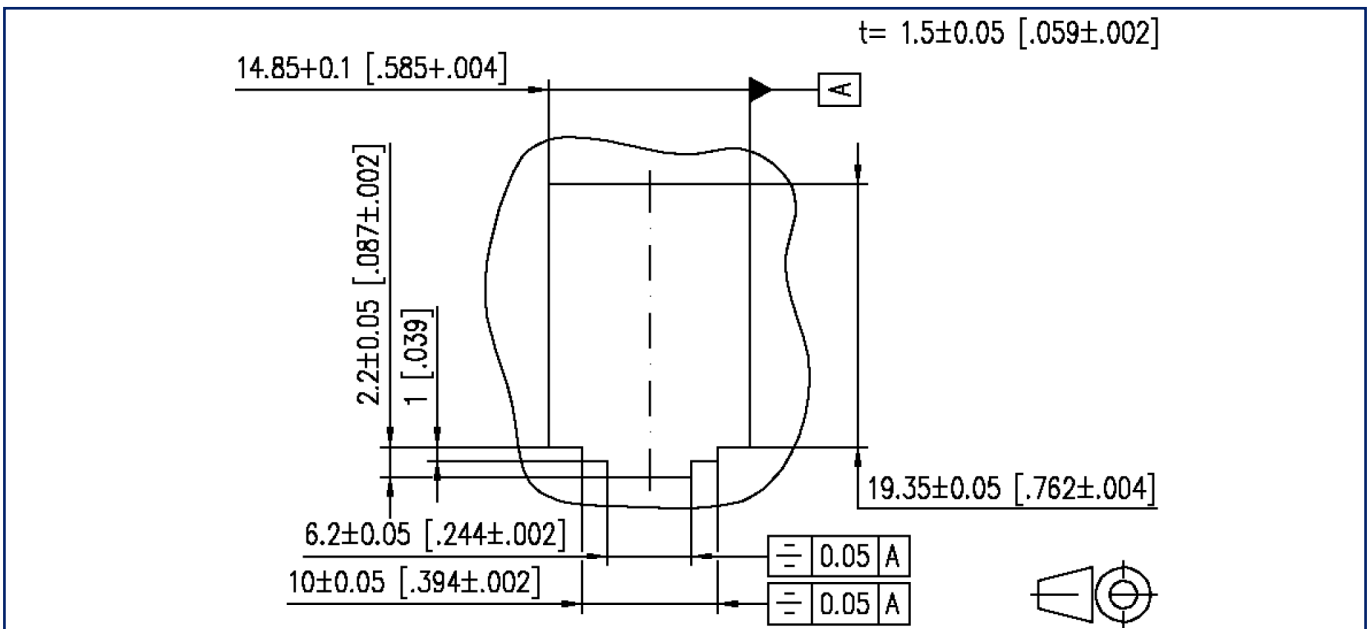


Illustrations

Dimensional drawing



Cut-out



Illustrations

Wiring diagram

