

Data sheet

Modul 19 inches module frame 1.5RU 48 port stainless steel unequipped

Page 1/5

P/N
130924-00-E

EAN 4250184106203

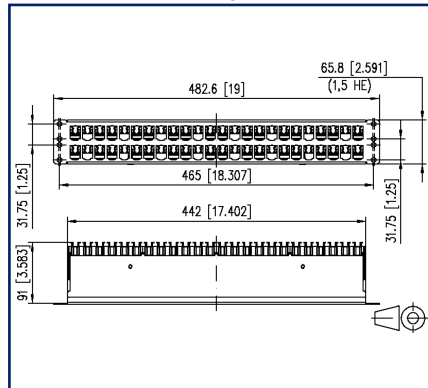
2025/09/17

Version: W

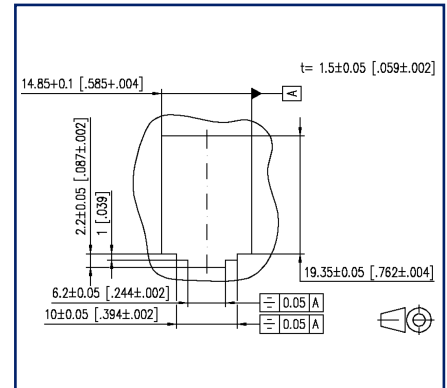
Illustrations



Dimensional drawing



Cut-out



See enlarged drawings at the end of document

Product specification

- 19 inch 1.5RU stainless steel module frame for 48 modules
- optional strain relief on patch panel using cable ties
- grounding bolt M6 x 10 with nut and lock washer
- incl. 30 cm grounding cable
- all fully shielded modules are connected by means of the stainless steel module frame
- mounting version: Modul



Modul 19 inches module frame 1.5RU 48 port stainless steel unequipped

P/N
130924-00-E

EAN 4250184106203

2025/09/17

Version: W

Technical Data

General Data

Fields of application	office areas
Mechanical measurement according to MICE	M1
Ingress measurement according to MICE	I1
Climatic measurement according to MICE	C1
Electromagnetic measurement according to MICE	E3
Design	patch panel
Color	stainless steel
Dimensions	
Dimension (L x W x H)	91 mm x 482.6 mm x 65.8 mm
Dimension (L x W x H)	3.583 in. x 19 in. x 2.591 in.
Inches	19 inches
Height unit	1.5RU
Modularity	yes
Labeling option	printed numbers

Connections/interfaces

Number of ports interface 1	48
Number of equipped ports interface 1	0
Number of ports interface 2	48
Number of ports interface 2 equipped	0
Grounding wire length	0.3 m
Grounding wire length	0.98 ft
Ground connection	grounding bolt M6x10 with nut and lock washer

Mechanical data

Cut-out	MC module
---------	-----------

Materials and material properties

Material - Module support	stainless steel
Material - Cable guide	ABS
Halogen free	yes
RoHS	compliant

Data sheet

Page 3/5

**Modul 19 inches module frame 1.5RU 48 port
stainless steel unequipped**P/N
130924-00-E

EAN 4250184106203

2025/09/17

Version: W

Technical Data**Environmental conditions**

Temperature (min. - max.)

Temperature - Storage °C -40 °C - 70 °C

Temperature - Storage °F -40 °F - 158 °F

Temperature - Operating °C -40 °C - 70 °C

Temperature - Operating °F -40 °F - 158 °F

Classifications

ETIM 7.0 EC002006

ETIM 8.0 EC002006

ETIM 9.0 EC002006

ETIM 10.0 EC002006

Packing details

Type of packaging 5 pc(s) / box

Application note

This product is a standard product of METZ CONNECT. METZ CONNECT is not aware of the specific intended use of the goods by the Customer or any customers of the Customer. The Customer guarantees that it has fully and sufficiently tested the use of the goods and any product modifications, product changes or product enhancements with regard to the specific intended use in accordance with the state of the art or in any other way. At METZ CONNECT's request, the Customer shall submit and make available meaningful evidence (e.g. test and laboratory protocols, certifications, etc.).



Data sheet

Page 4/5

Modul 19 inches module frame 1.5RU 48 port stainless steel unequipped

P/N
130924-00-E

EAN 4250184106203

2025/09/17

Version: W

Accessories

P/N	Designation
130792	Mounting kit, cage nuts M6
130898-00-I	BLIND module light gray
130898-00-RW-I	BLIND module pure white
130898-01-I	COAX modul F jack / F jack
130898-02-I	COAX modul IEC jack / F jack
130898-03-I	COAX modul IEC plug / F jack
130908-I-B1	UAE modul Cat.5e white
130909-I	UAE modul Cat.6 jack white
130910-DNV	E-DAT modul Cat.6 _A 8(8) jack DNV
130910-I	E-DAT modul Cat.6 _A 8(8) jack
130910-Z	E-DAT modul Cat.6 _A 8(8) jack, (12 pcs)
1309A0-I	E-DAT modul coupler 8(8) 180° class E _A
130A11-29-I	UAE modul 8(8) Cat.6 _A black
130A11-I	UAE modul 8(8) Cat.6 _A white
130B11-25-E	25Gmodul
130B11-25-Z	25Gmodul (12 pcs)
130B11-DNV	C6 _A modul 180° jack DNV
130B11-E	C6 _A modul 180° jack
130B11-Z	C6 _A modul 180° jack (12 pcs)
15091001-I	OpDAT modul ST OS2
15091071-I	OpDAT modul LC-Duplex OS2
15091072-I	OpDAT modul LC-Duplex OM3
15091075-I	OpDAT modul LC-Duplex OM4
15091076-I	OpDAT modul LC-Duplex APC OS2
1509107B-I	OpDAT modul LC-Duplex MM
820032-0102-I	Dust protection cover for C6 _A modul pure white
820032-0103-I	Dust protection cover for C6 _A modul light gray
820032-0105-I	Dust protection cover for C6 _A modul yellow
820032-0107-I	Dust protection cover for C6 _A modul green
820032-0108-I	Dust protection cover for C6 _A modul red
820032-0129-H	Dust protection cover for C6 _A modul black, (250 pcs)
820032-0129-I	Dust protection cover for C6 _A modul black

Data sheet

Page 5/5

**Modul 19 inches module frame 1.5RU 48 port
stainless steel unequipped**

P/N
130924-00-E

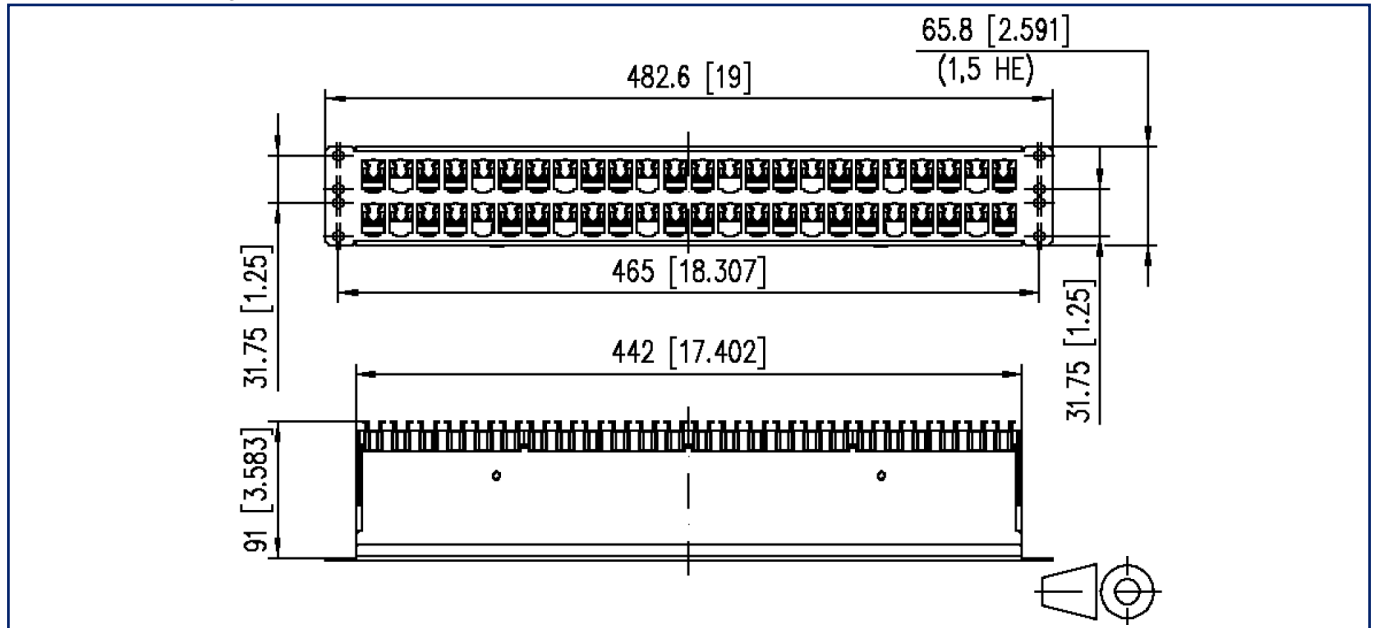
EAN 4250184106203

2025/09/17

Version: W

Illustrations

Dimensional drawing



Cut-out

