

Data sheet

PR075xxHBEL Type 337

Page 1/7

P/N
313371xx57

xx=number of poles

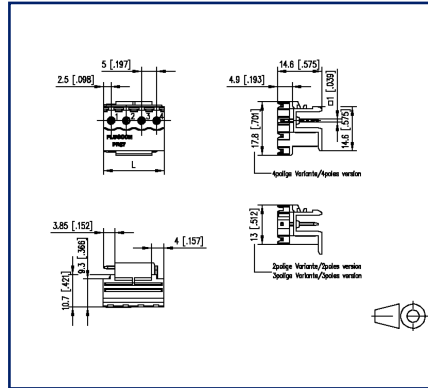
2026/04/27

Version: AO

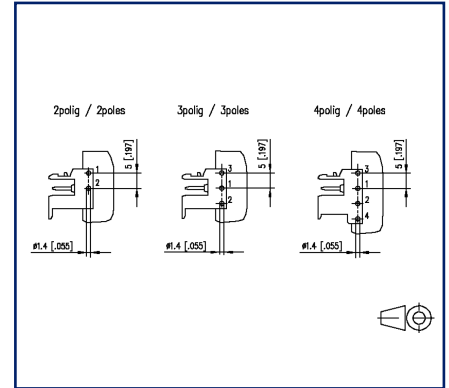
Illustrations



Dimensional drawing as an example



Drill pattern as an example



See enlarged drawings at the end of document

Product specification

- pin header, THR solderable
- centerline 5.00 mm, direction of connection 90°
- open ends, fittable without loss of poles
- color black
- Tape & Reel packaging possible
- codeable, connection left side, pluggable for module housing



Data sheet
PR075xxHBEL Type 337

Technical Data

General Data

Solder pin length	3.85 mm		
min. number of poles	3		
max. number of poles	4		
Insulating material class	CTI 600		
clearance/creepage dist.	3.2 mm		
Protection category	IP00		
Rated current	12 A		
Overvoltage category	III	III	II
Pollution degree	3	2	2
Rated voltage	250 V	630 V	630 V
Rated test voltage	4 kV	4 kV	4 kV

Approvals

 V / A	300 / 17
---	----------

approval UL - File No.	E121004
------------------------	---------

	250 V / 4 kV / 12 A / 1.0 x 1.0 mm
---	------------------------------------

Material

insulating material	PA66/6T
flammability class	V0
contact pin material	CuZn
contact pin surface	Ni + Sn
Glow-Wire Flammability GWFI	960 °C acc. to IEC 60695-2-12
Glow-Wire Flammability GWIT	775 °C acc. to IEC 60695-2-13
Ball pressure test	125 °C acc. to IEC 60695-10-2

Climatic Data

upper limit temperature	125 °C
lower limit temperature	-40 °C

general

Tolerance	ISO 2768 -cH
Solderability	reflowable

Application note

Data sheet

Page 3/7

PR075xxHBEL Type 337

P/N

313371xx57**xx=number of poles**

2026/04/27

Version: AO

Technical Data

This product is a standard product of METZ CONNECT. METZ CONNECT is not aware of the specific intended use of the goods by the Customer or any customers of the Customer. The Customer guarantees that it has fully and sufficiently tested the use of the goods and any product modifications, product changes or product enhancements with regard to the specific intended use in accordance with the state of the art or in any other way. At METZ CONNECT's request, the Customer shall submit and make available meaningful evidence (e.g. test and laboratory protocols, certifications, etc.).



Data sheet
PR075xxHBEL Type 337

Page 4/7

P/N
313371xx57

xx=number of poles

2026/04/27

Version: AO

Accessories

P/N	Designation
700024-01-5	Kodierstern blau F_Kodier_blp
700024-0179	F_Kodier_blp
700024-0183	F_Kodier_wsc
700024-01-9	Coding star white
700024-02-8	F_Kodier_rtf
700024-0282	F_Kodier_rtf
700523-0157	Geh_Kappe_swg_Block
700523-01C8	Geh_Kappe_grl_Block

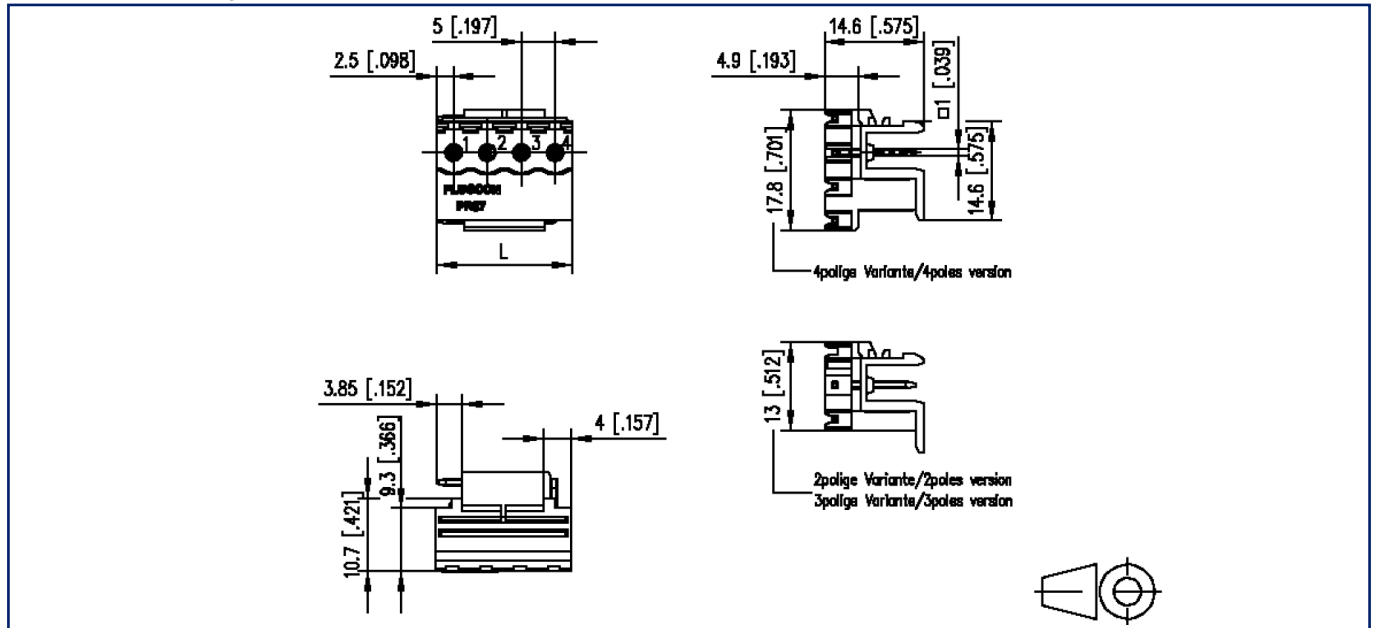


Counterpart of

P/N	Designation
313131	RP035xxHBLC Type 313
313141	RP035xxHBLD Type 314
31314103-08	RP035xxHBLD Typ 314
31314103-09	RP035xxHBLD Typ 314
313481	RP085xxVBLC (Type 348)
31348103	RP08503VBLC (Type 348), 3-pole
31348104	RP08504VBLC (Type 348), 4-pole
31348105	RP08505VBLC (Type 348), 5-pole
31348106	RP08506VBLC (Type 348), 6-pole
313491	RP015xxVBLC Type 349
313501	RP015xxSBLC Type 350
ASP045	SP045xxVBNC ASP045
ASP0450222	SP04502VBNC ASP045
ASP0450322	SP04503VBNC ASP045
ASP0450422	SP04504VBNC ASP045
ASP0450522	SP04505VBNC ASP045
ASP0450622	SP04506VBNC ASP045
ASP0450722	SP04507VBNC ASP045
ASP0450822	SP04508VBNC ASP045
ASP0450922	SP04509VBNC ASP045
ASP0451022	SP04510VBNC ASP045
ASP0451222	SP04512VBNC ASP045
ASP135	SP135xxVBNC (ASP135)
SP065XXVBNC	SP065xxVBNC
SP065XXVBPC	SP065xxVBPC
SP995XXVBNC	SP995xxVBNC

Illustrations

Dimensional drawing as an example



$L = (\text{pole size} - 1) \times \text{centerline} + 5 \text{ mm } [0.197]$

Data sheet

PR075xxHBEL Type 337

Page 7/7

P/N

313371xx57

xx=number of poles

2026/04/27

Version: AO

Illustrations

Drill pattern as an example

