

Data sheet

TERk-F-E08, 230 V AC, 24 V AC/DC tp 0.1 min-10 h, ti 0.1 min-10 h

P/N

110674410313170

EAN 4251394629322

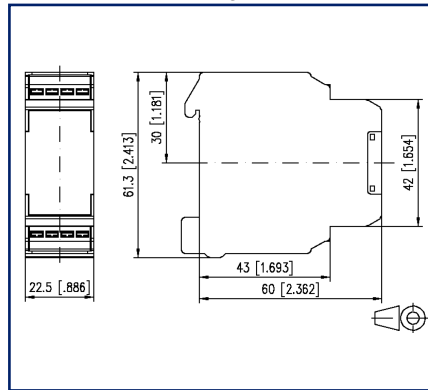
2025/12/22

Version: K

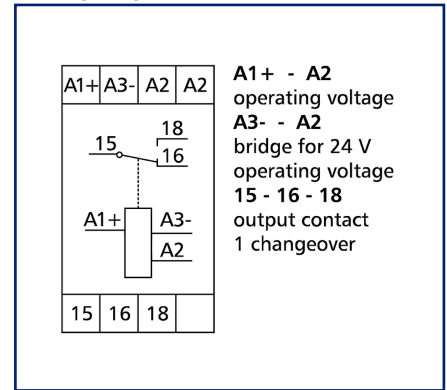
Illustrations



Dimensional drawing



Wiring diagram



See enlarged drawings at the end of document

Product specification

Clock generator with separately adjustable delay and pulse times. The time ranges can be programmed by means of the coding switches incorporated in the front.

- Connection with spring clamp terminal blocks (push-in)
- Clock generating
- Adjustable time ranges

TERk-F-E08, 230 V AC, 24 V AC/DC tp 0.1 min-10 h, ti 0.1 min-10 h

P/N

110674410313170

EAN 4251394629322

2025/12/22

Version: K

Technical Data

Supply

Operating voltage	230 V AC / 24 V AC/DC -10% ... +10%
Frequency range	50 ... 60 Hz
Power consumption	
Power consumption 230 V AC	5.2 VA
Power consumption 24 V AC	0.5 VA
Power consumption 24 V DC	0.3 W
Duty cycle relative	100 %
Recovery time	> 50 ms
Protection circuit	Polarity reversal protection of operating voltage Varistor against interference voltage

Time Ranges

Time range break	tp 0.1 min - 10 h
Time range impulse	ti 0.1 min - 10 h
Repeatability	0.1 %

Outputs

Contacts	1 changeover contact
Contact material	AgSnO ₂
Switching voltage (max.)	250 V AC
Continuous Current	6 A
Protection	6 A
Switching frequency	1200 switching cycles/h
Mechanical life	3x10 ⁷ switching cycles
Electrical life	1x10 ⁵ switching cycles
Indicator	green and red LED

Insulation coil - contact set

Nominal voltage of the power supply system	230 / 400 V AC
Overvoltage category	III II
Degree of pollution	2 2
Rated test voltage	4 kV 2.5 kV
Type of insulation	basic insulation reinforced insulation

TERK-F-E08, 230 V AC, 24 V AC/DC tp 0.1 min-10 h, ti 0.1 min-10 h

P/N

110674410313170

EAN 4251394629322

2025/12/22

Version: K

Technical Data

Housing	
Dimensions	
Dimension (W x H x D)	22.5 mm x 61.3 mm x 60 mm
Dimension (W x H x D)	0.886 in. x 2.413 in. x 2.362 in.
Weight	70 g
Mounting style	Standard rail TH35
Mounting position	any
Apposition	without distance
Connection type	Spring clamp terminal blocks
Terminal blocks	
Wire cross section solid	0.2 mm ² - 2.5 mm ² / AWG 24-14
Wire cross section multi	0.25 mm ² - 2.5 mm ² / AWG 24-12
Wire cross section with wire ferrule	0.25 mm ² - 1.5 mm ² / AWG 24-16
Stripping length (min.)	8 mm
Material	
Material - Housing	Polyamid 6.6 V0
Color	gray
Material - Terminal block	Polyamid 6.6 V0
Material - Covers	Polyamid 6.6 V0
Protection category according to IEC 60529	
Protection category - housing (acc. to IEC 60529)	IP40
Protection category - terminal blocks (acc. to IEC 60529)	IP20
Climatic Data	
Operating	
Temperature - Operating °C	-10 °C - 55 °C
Temperature - Operating °F	14 °F - 131 °F
Relative humidity	max. 85 % non-condensing
Storage	
Temperature - Storage °C	-25 °C - 70 °C
Temperature - Storage °F	-13 °F - 158 °F

© 2025 METZ CONNECT - Technische Änderungen vorbehalten! Subject to modifications! Sous réserve de modifications techniques!

TERk-F-E08, 230 V AC, 24 V AC/DC tp 0.1 min-10 h, ti 0.1 min-10 h

P/N

110674410313170

EAN 4251394629322

2025/12/22

Version: K

Technical Data**Power loss**

Power loss (typical) 1 W

Classifications

ETIM 7.0 EC001439

ETIM 8.0 EC001439

ETIM 9.0 EC001439

ETIM 10.0 EC001439

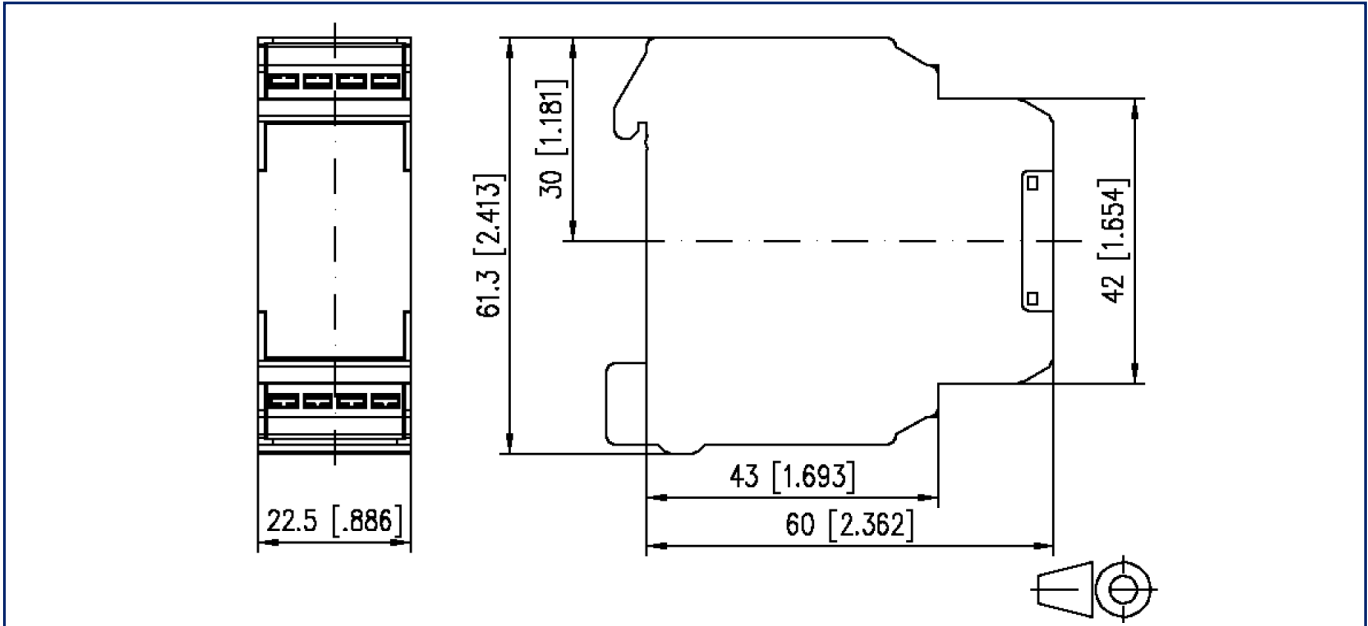
Application note

This product is a standard product of METZ CONNECT. METZ CONNECT is not aware of the specific intended use of the goods by the Customer or any customers of the Customer. The Customer guarantees that it has fully and sufficiently tested the use of the goods and any product modifications, product changes or product enhancements with regard to the specific intended use in accordance with the state of the art or in any other way. At METZ CONNECT's request, the Customer shall submit and make available meaningful evidence (e.g. test and laboratory protocols, certifications, etc.).

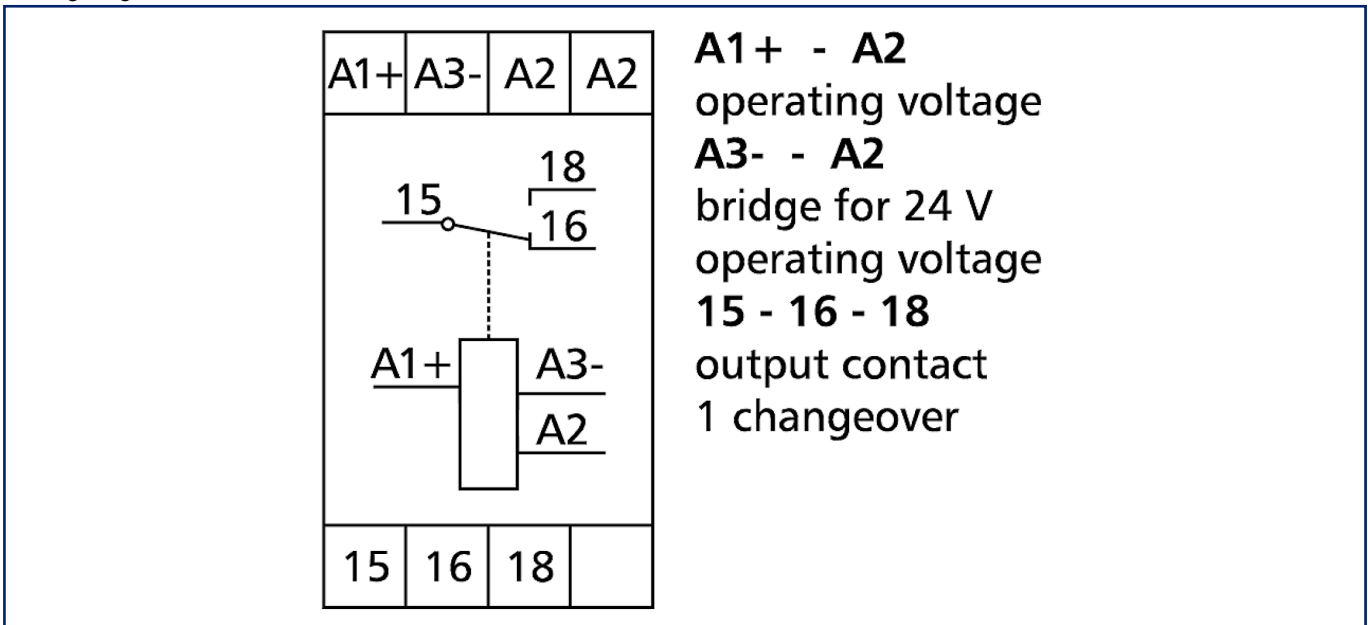


Illustrations

Dimensional drawing



Wiring diagram



Illustrations

Function diagram

