

# Data sheet

MFRk-F-E08 F 230 V AC, 24 V AC/DC

Page 1/9

P/N

11065841201470

EAN 4251394629278

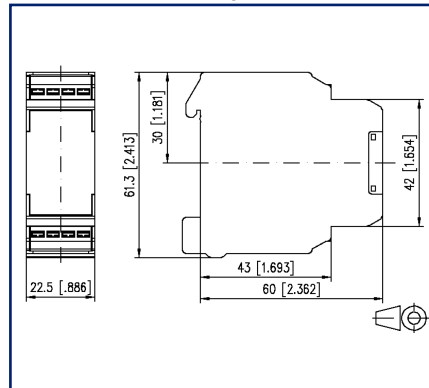
2025/12/22

Version: K

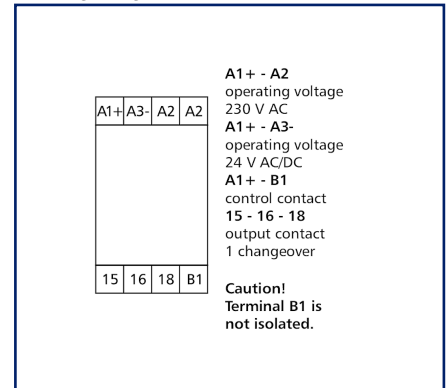
## Illustrations



Dimensional drawing



Wiring diagram



See enlarged drawings at the end of document

## Product specification

Multifunctional timer relay with incorporated coding switches to set functions. The time is set by means of a linear potentiometer on a relative scale.

- Connection with spring clamp terminal blocks (push-in)
- Ten adjustable time ranges from 0.05 s to 30 h
- Seven selectable functions
  1. On-delayed
  2. Making-pulse interval
  3. Off-delay
  4. Breaking-pulse interval
  5. Flashing for pause start
  6. Flashing for pulse start
  7. Off-delay with control contact B1 inhibition

**MFRk-F-E08 F 230 V AC, 24 V AC/DC**

P/N  
**11065841201470**  
**EAN 4251394629278**  
 2025/12/22  
 Version: K

**Technical Data**

<b>Supply</b>	
Operating voltage	230 V AC / 24 V AC/DC -10% ... +10%
Frequency range	50 ... 60 Hz
Power consumption	
Power consumption 230 V AC	5.2 VA
Power consumption 24 V AC	0.5 VA
Power consumption 24 V DC	0.3 W
Duty cycle relative	100 %
Response time typical	20 ms
Release time typical	20 ms
Fallback voltage range	>= 0.15 UN
Time Ranges	
Time range adjustable	0.05 s - 30 h
Repeatability	+/- 0.01 %
Repeatability in the smallest time range (max.)	+/- 0.1 %
<b>Inputs</b>	
Minimum switch-on duration	
Minimum switch-on duration (control contact)	>= 5 ms
Minimum switch-on duration DC	>= 0.2 s
Minimum switch-on duration AC	>= 0.3 s
<b>Outputs</b>	
Contacts	1 changeover contact
Contact material	AgSnO <sub>2</sub>
Switching voltage (max.)	250 V AC
Continuous Current	6 A
Protection	6 A
Switching frequency	1200 switching cycles/h
Mechanical life	1x10 <sup>7</sup> switching cycles
Electrical life	1x10 <sup>5</sup> switching cycles

© 2025 METZ CONNECT - Technische Änderungen vorbehalten! Subject to modifications! Sous réserve de modifications techniques!

## Technical Data

### Outputs

#### Recovery time

Recovery time (control contact)	>= 10 ms
Recovery time 24 V AC	10 ... 30 ms
Recovery time 24 V DC	10 ... 30 ms
Recovery time 230 V AC	10 ... 30 ms
Indicator	green and red LED

### Insulation coil - contact set

Nominal voltage of the power supply system	230 / 400 V AC
Overvoltage category	III   II
Degree of pollution	2   2
Rated test voltage	4 kV   2.5 kV
Type of insulation	basic insulation   reinforced insulation

### Housing

#### Dimensions

Dimension (W x H x D)	22.5 mm x 61.3 mm x 60 mm
Dimension (W x H x D)	0.886 in. x 2.413 in. x 2.362 in.
Weight	70 g
Mounting style	Standard rail TH35
Mounting position	any
Apposition	without distance
Connection type	Spring clamp terminal blocks

### Terminal blocks

Wire cross section solid	0.2 mm <sup>2</sup> - 2.5 mm <sup>2</sup> / AWG 24-14
Wire cross section multi	0.25 mm <sup>2</sup> - 2.5 mm <sup>2</sup> / AWG 24-12
Wire cross section with wire ferrule	0.25 mm <sup>2</sup> - 1.5 mm <sup>2</sup> / AWG 24-16
Stripping length (min.)	8 mm

## Technical Data

### Material

Material - Housing	Polyamid 6.6 V0
Color	gray
Material - Terminal block	Polyamid 6.6 V0
Material - Covers	Polyamid 6.6 V0

### Protection category according to IEC 60529

Protection category - housing (acc. to IEC 60529)	IP40
Protection category - terminal blocks (acc. to IEC 60529)	IP20

### Climatic Data

#### Operating

Temperature - Operating °C	-10 °C - 55 °C
Temperature - Operating °F	14 °F - 131 °F
Relative humidity	max. 85 % non-condensing

#### Storage

Temperature - Storage °C	-25 °C - 70 °C
Temperature - Storage °F	-13 °F - 158 °F

### Power loss

Power loss (typical)	1 W
----------------------	-----

### Classifications

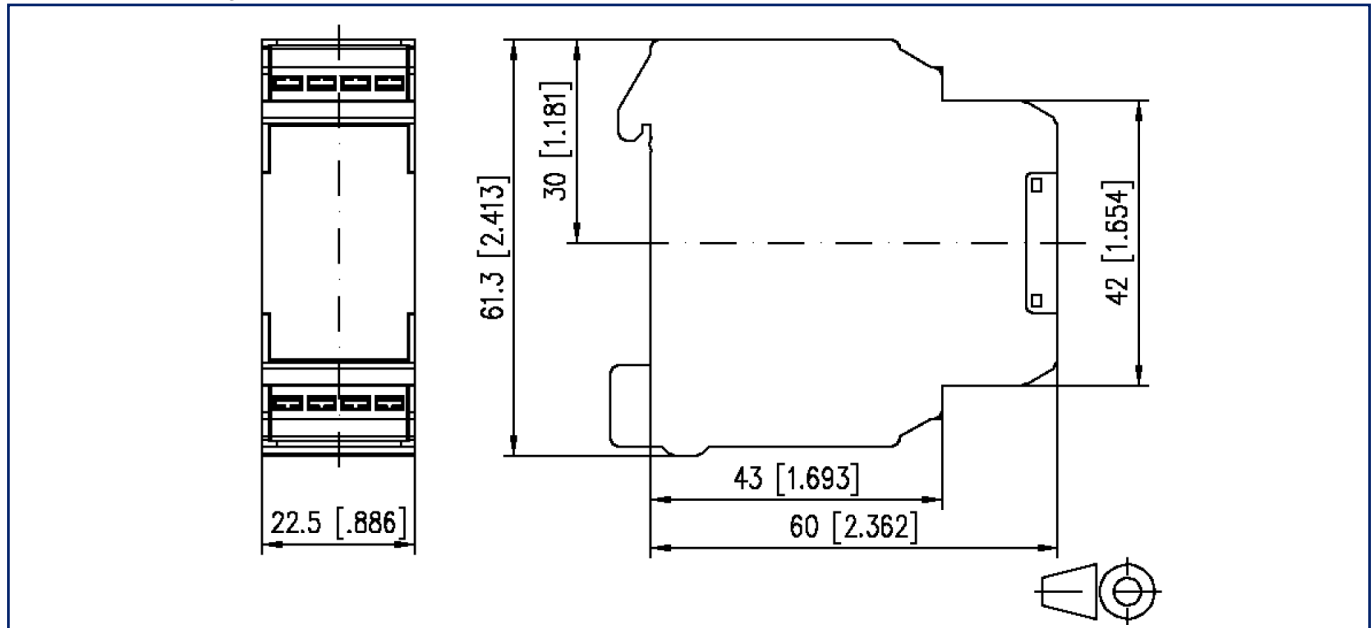
ETIM 7.0	EC001439
ETIM 8.0	EC001439
ETIM 9.0	EC001439
ETIM 10.0	EC001439

### Application note

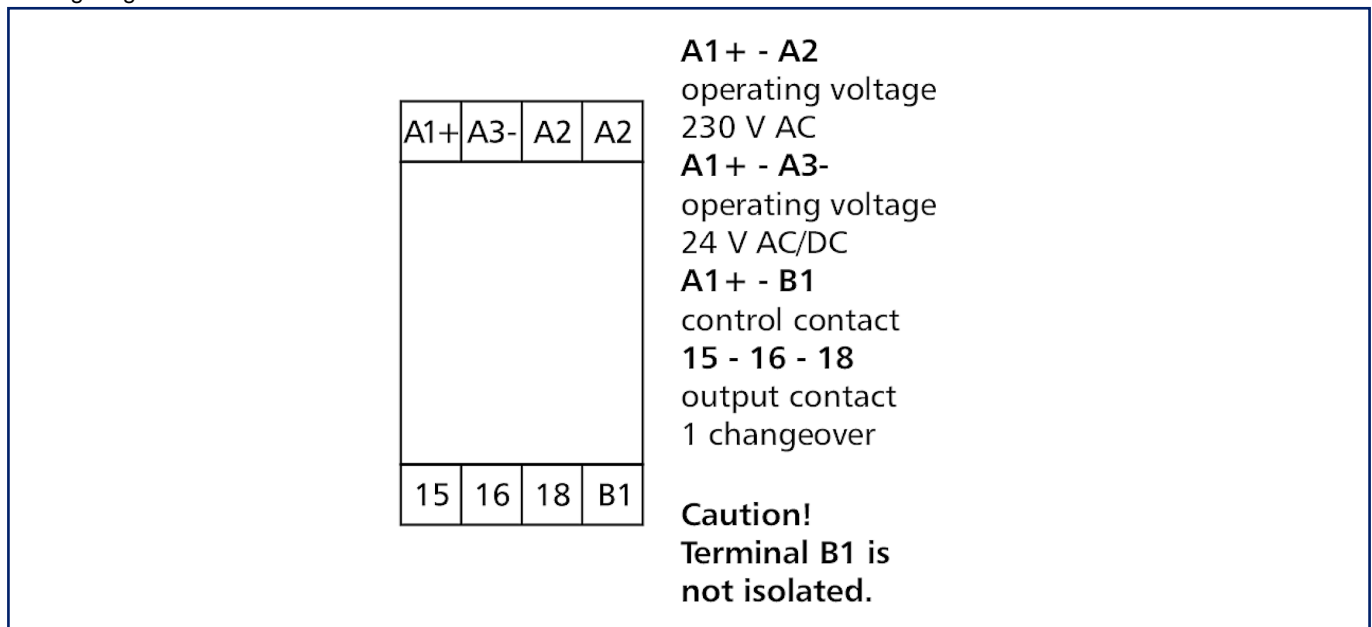
This product is a standard product of METZ CONNECT. METZ CONNECT is not aware of the specific intended use of the goods by the Customer or any customers of the Customer. The Customer guarantees that it has fully and sufficiently tested the use of the goods and any product modifications, product changes or product enhancements with regard to the specific intended use in accordance with the state of the art or in any other way. At METZ CONNECT's request, the Customer shall submit and make available meaningful evidence (e.g. test and laboratory protocols, certifications, etc.).

## Illustrations

### Dimensional drawing

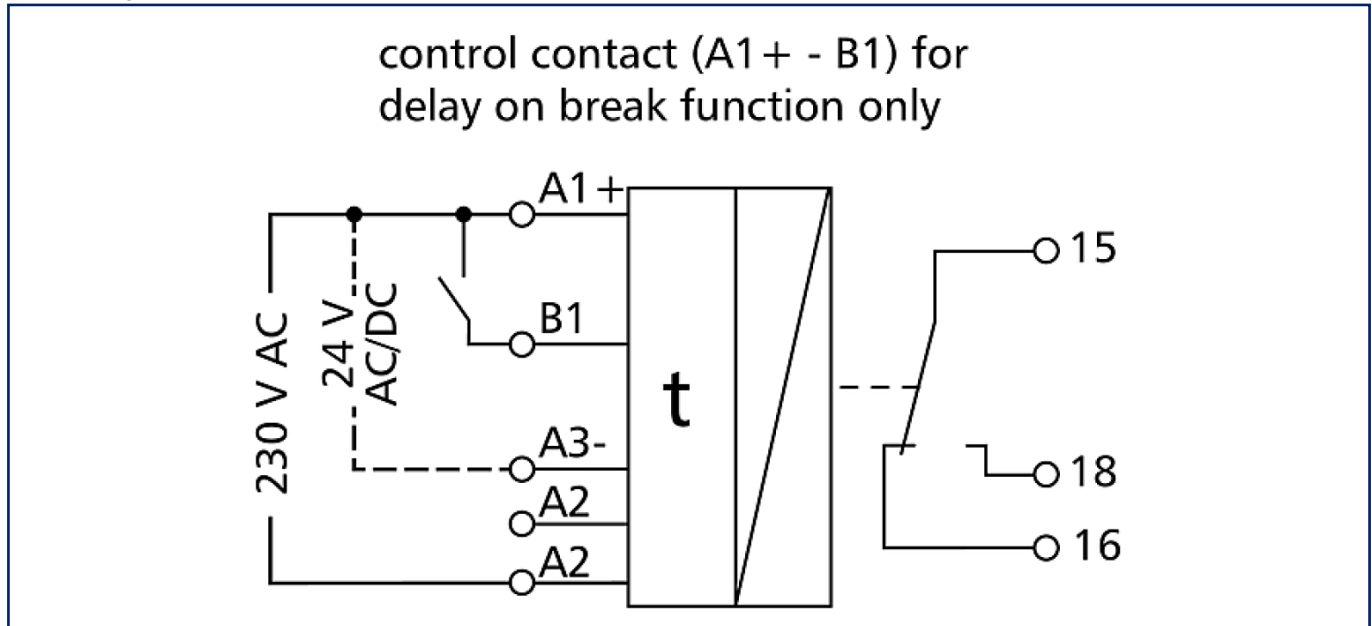


### Wiring diagram

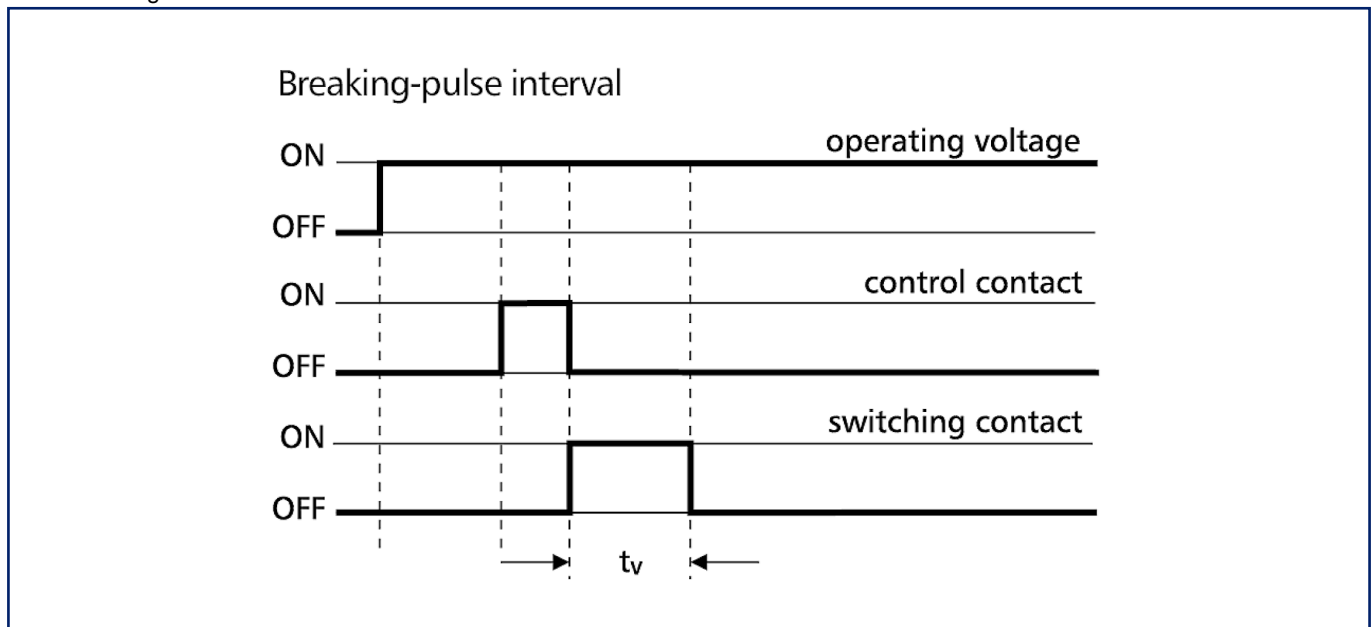


**Illustrations**

Circuit diagram

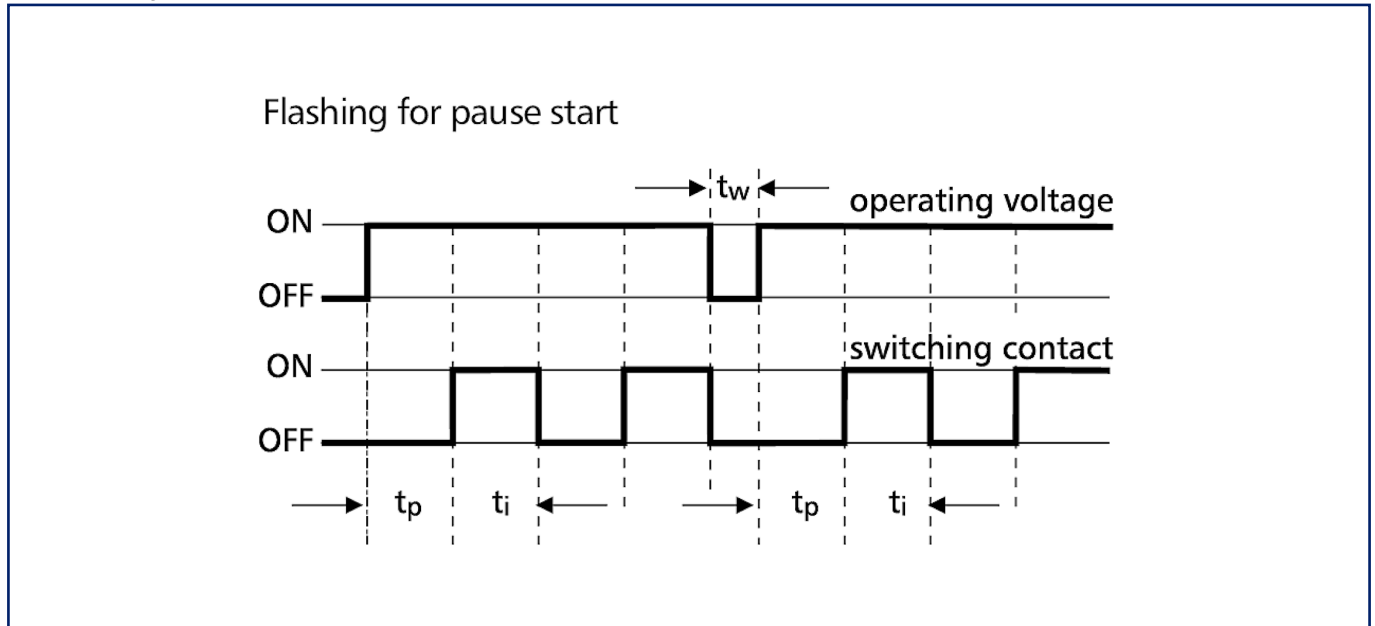


Function diagram

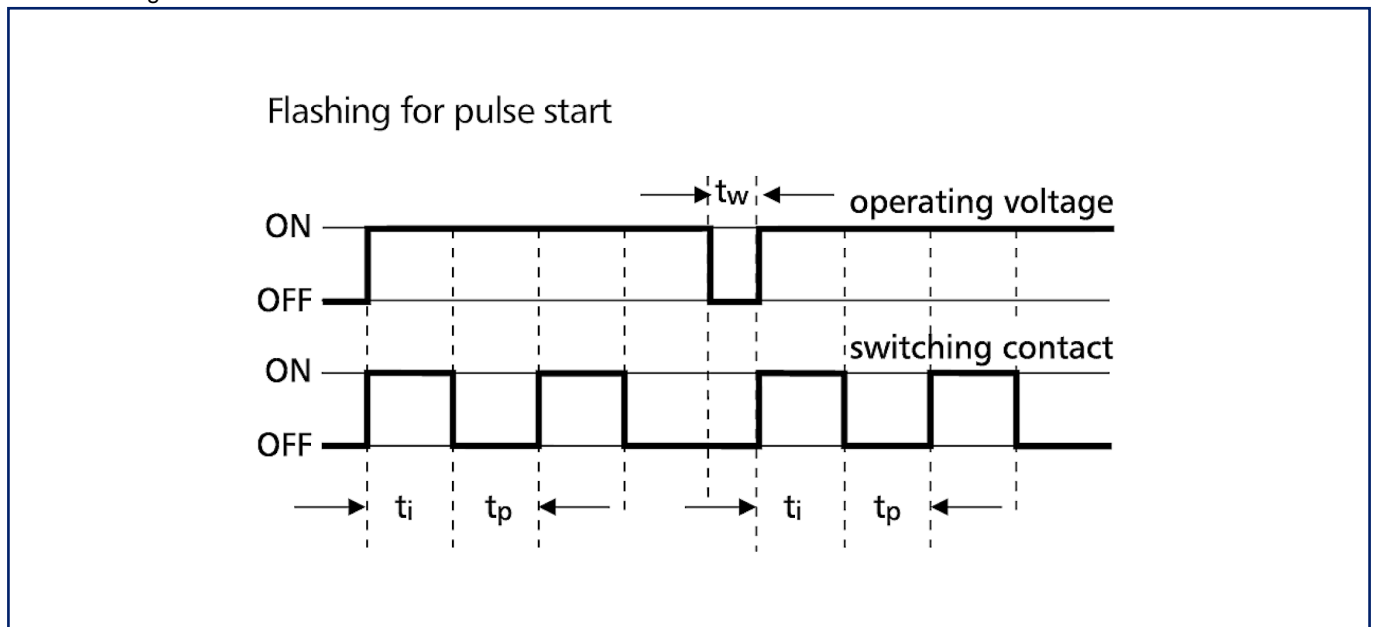


**Illustrations**

Function diagram

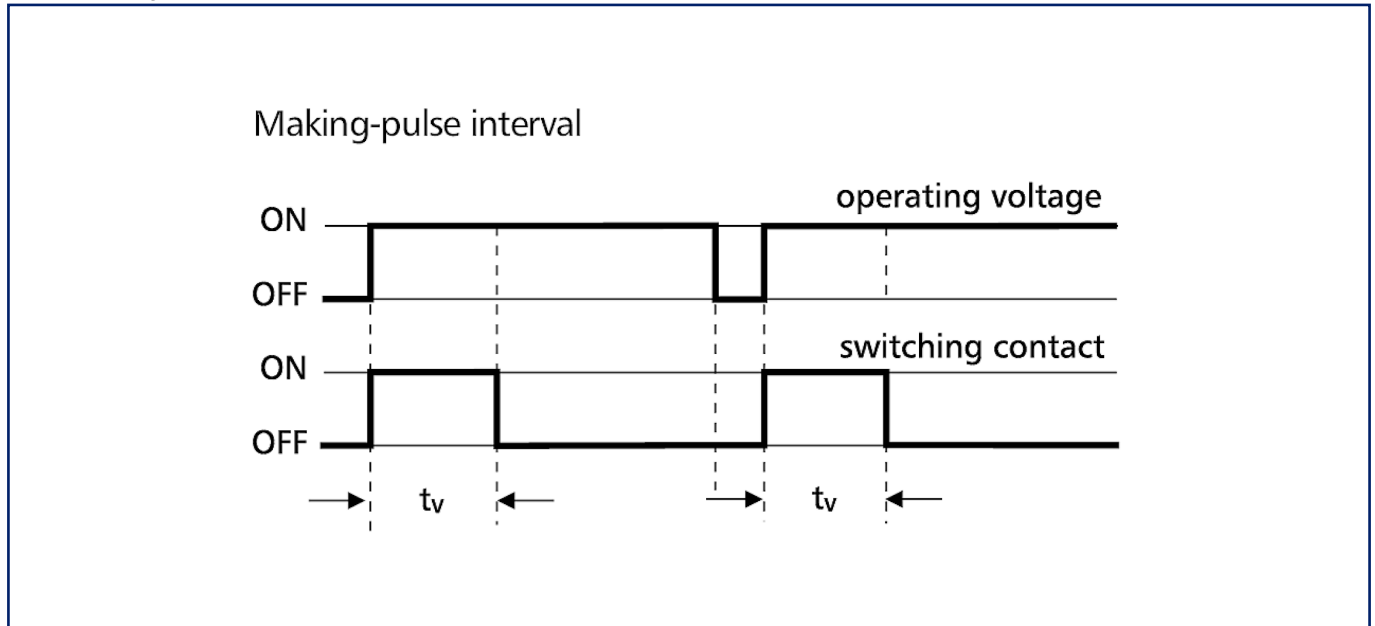


Function diagram

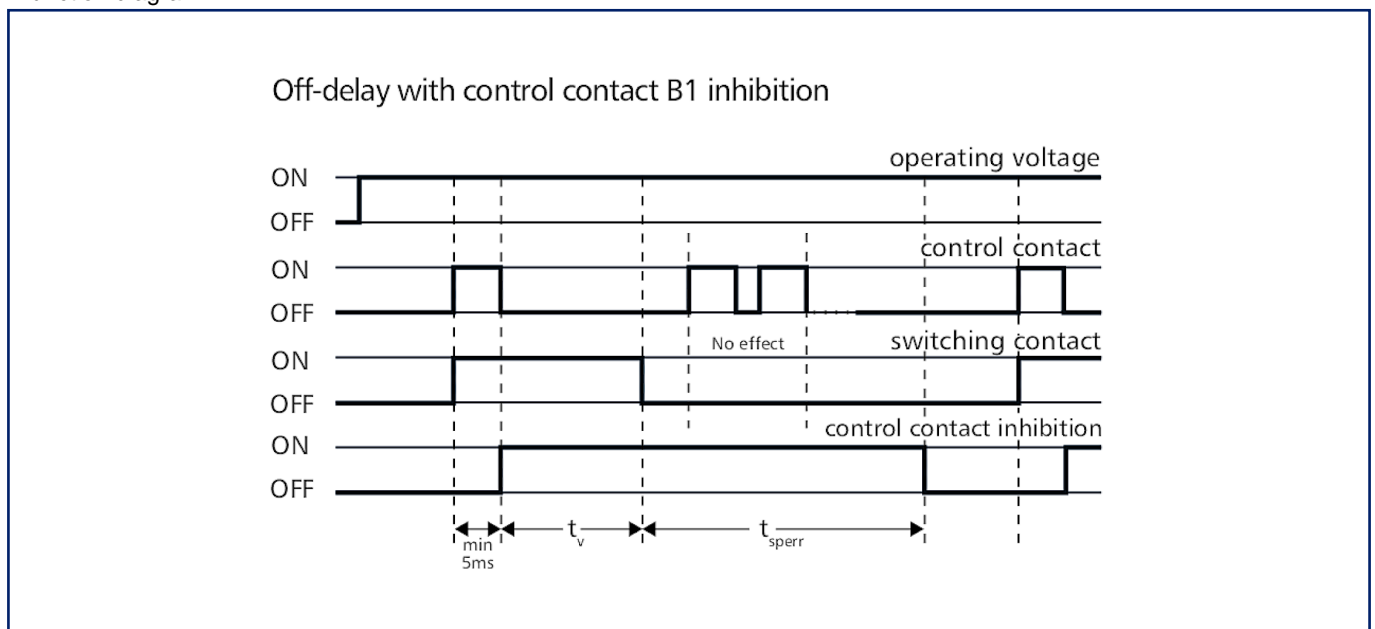


## Illustrations

Function diagram

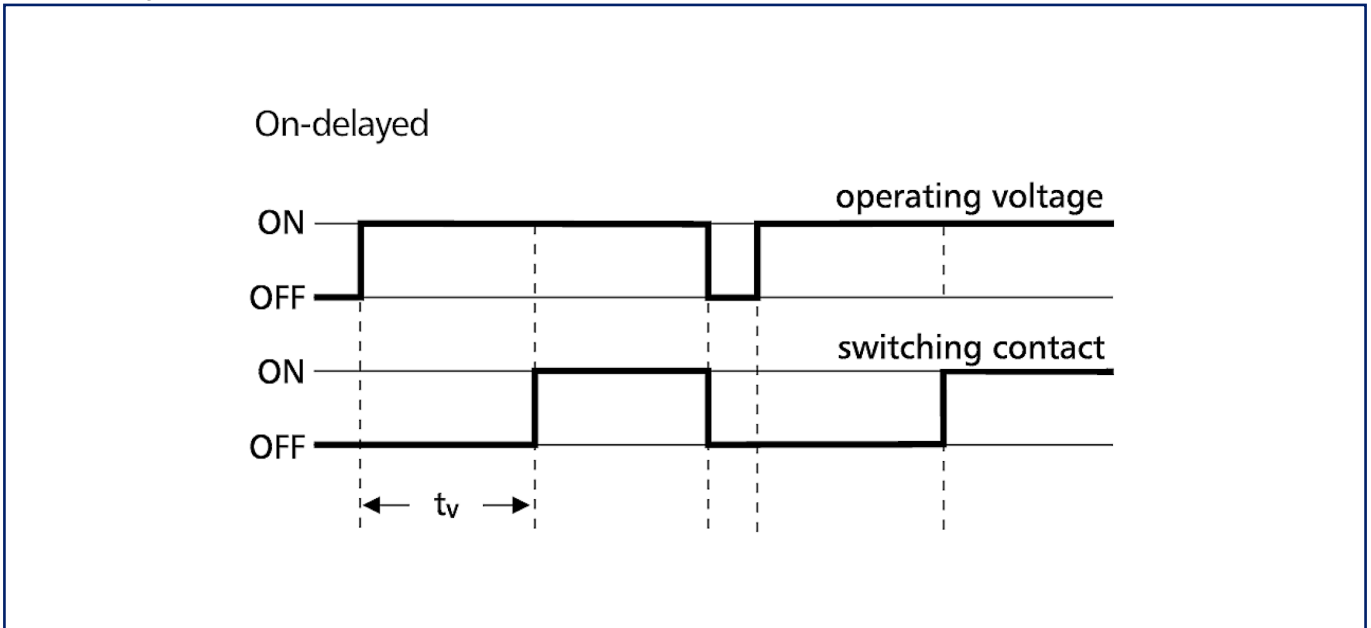


Function diagram



**Illustrations**

Function diagram



Function diagram

