

# Data sheet

## PT-C12 24 V AC/DC

Page 1/5

P/N  
110501

EAN 4250184122173

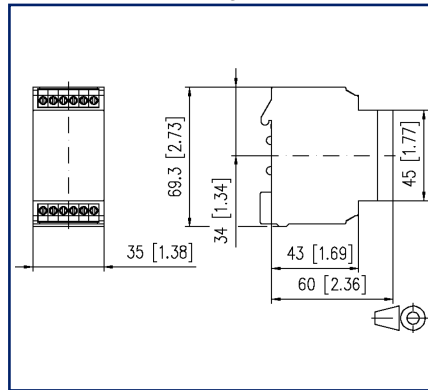
2025/08/18

Version: J

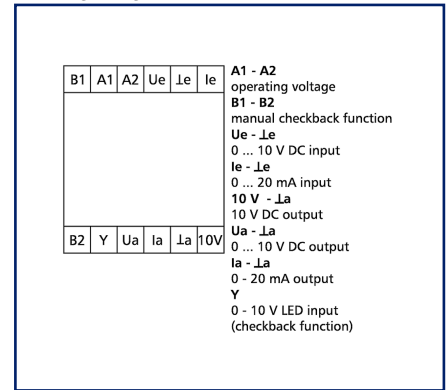
### Illustrations



Dimensional drawing



Wiring diagram



See enlarged drawings at the end of document

### Product specification

The potential isolator / signal converter is used for isolating analog signals in the range from 0 to 10 V DC, and 0 to 20 mA DC or for a signal conversion from 0 to 10 V DC to 0 to 20 mA DC or 0 to 20 mA DC to 0 to 10 V DC. The input and output signals as well as the supply voltage are electrically isolated from each other. An input signal from 0 to 10 V or 0 to 20 mA can be connected to the device. Electrical isolation function: With the PT-C12, the input signal 0 to 10 V is adjusted proportionally to the output signal 0 to 10 V. The PTi-C12 adjusts the input signal from 0 to 20 mA proportional to the output signal from 0 to 20 mA. Function Signal conversion with potential separation: With a signal conversion from 0 to 10 V to 0 to 20 mA, or from 0 to 20 mA to 0 to 10 V, the output signal converted thereby can be readjusted using an integrated spindle trimmer. In addition, a manual emergency operating option with a MANUAL AUTO switch with feedback contact is also integrated. The output signal from 0 to 10 V or 0 to 20 mA can be set via the front potentiometer when the switch is in the MANUAL position. A constant output voltage of max. 10 V DC and 5 mA is available at the 10 V terminal. Input Y is used for the LED display of the output voltage Ua. The brightness of the LED depends on the level of the output signal (bridge between Ua and Y). Alternatively, an external signal at the input Y can be connected to the LED display from 0 to 10 V DC.

- Connection with screw type terminal blocks

**Data sheet**  
**PT-C12 24 V AC/DC**

Page 2/5

P/N  
**110501**  
EAN 4250184122173  
2025/08/18  
Version: J

**Technical Data**

<b>Supply</b>	
Operating voltage	24 V AC/DC -20% ... +15%
Power consumption AC (max.)	200 mA
Power consumption DC (max.)	110 mA
Power consumption AC (max.)	4.8 VA
Power consumption DC (max.)	2.64 W
Duty cycle relative	100 %
<b>Inputs</b>	
Voltage input	
Voltage input - input resistance	> 50 K/W
Current input	
Current input - input resistance	45
<b>Outputs</b>	
Current output current load	max. 500 Ohm
Indicator	green LED
<b>General information</b>	
Isolation	1000 V DC, 50 Hz, 1 min.
<b>Housing</b>	
Dimensions	
Dimension (W x H x D)	35 mm x 69.3 mm x 60 mm
Dimension (W x H x D)	1.378 in. x 2.728 in. x 2.362 in.
Weight	78 g
Mounting style	Standard rail TH35
Mounting position	any
Apposition	without distance
Connection type	Screw type terminal blocks
<b>Terminal blocks</b>	
Wire cross section solid	0,34 mm <sup>2</sup> - 2,5mm <sup>2</sup> / AWG 22-12
Wire cross section multi	0.25 mm <sup>2</sup> - 2.5 mm <sup>2</sup> / AWG 22-12
Wire cross section with wire ferrule	0.25 mm <sup>2</sup> - 2.5 mm <sup>2</sup> / AWG 22-12
Screw torque (max.)	0.5 Nm
Stripping length (min.)	8 mm

**Data sheet**  
**PT-C12 24 V AC/DC**

**Technical Data**

**Material**

Material - Housing	Polyamid 6.6 V0
Color	gray
Material - Terminal block	Polyamid 6.6 V0
Material - Covers	Polycarbonat

**Protection category according to IEC 60529**

Protection category - housing (acc. to IEC 60529)	IP40
Protection category - terminal blocks (acc. to IEC 60529)	IP20

**Climatic Data**

Operating	
Temperature - Operating °C	0 °C - 55 °C
Temperature - Operating °F	32 °F - 131 °F
Relative humidity	max. 85 % non-condensing
Storage	
Temperature - Storage °C	-20 °C - 70 °C
Temperature - Storage °F	-4 °F - 158 °F

**Power loss**

Power loss (typical)	2.6 W
----------------------	-------

**Classifications**

ETIM 7.0	EC000310
ETIM 8.0	EC000310
ETIM 9.0	EC000310
ETIM 10.0	EC000310

**Application note**

This product is a standard product of METZ CONNECT. METZ CONNECT is not aware of the specific intended use of the goods by the Customer or any customers of the Customer. The Customer guarantees that it has fully and sufficiently tested the use of the goods and any product modifications, product changes or product enhancements with regard to the specific intended use in accordance with the state of the art or in any other way. At METZ CONNECT's request, the Customer shall submit and make available meaningful evidence (e.g. test and laboratory protocols, certifications, etc.).

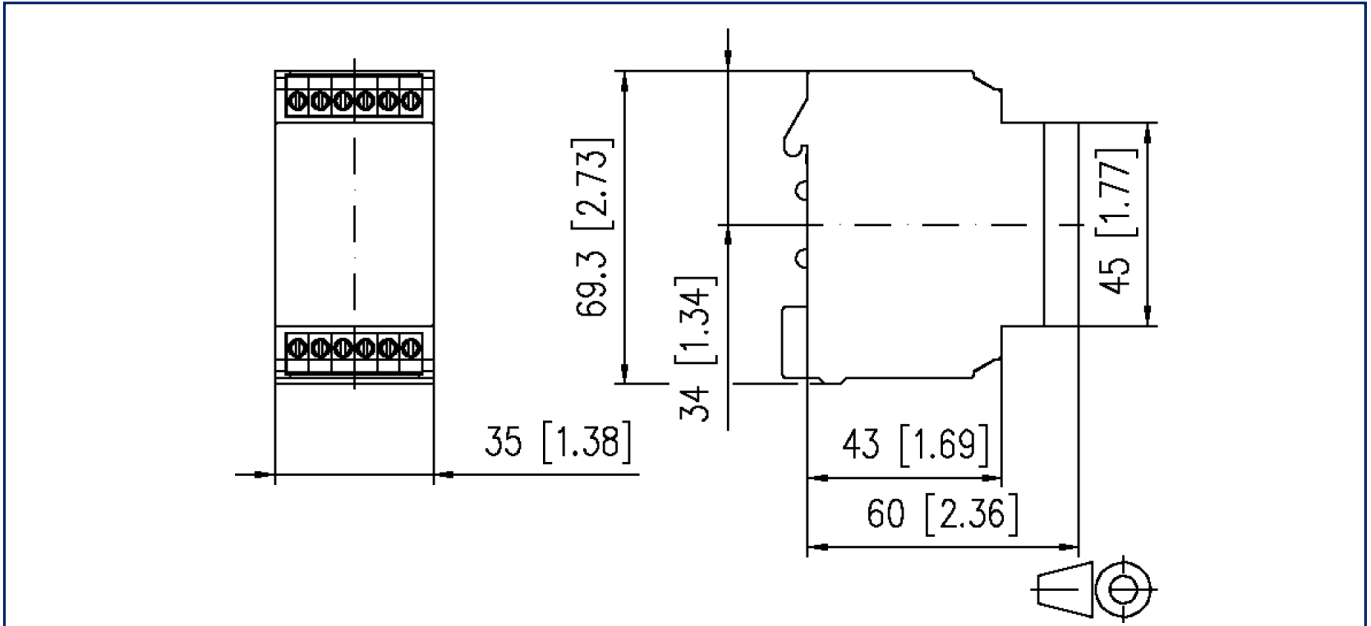
Data sheet  
PT-C12 24 V AC/DC

Page 4/5

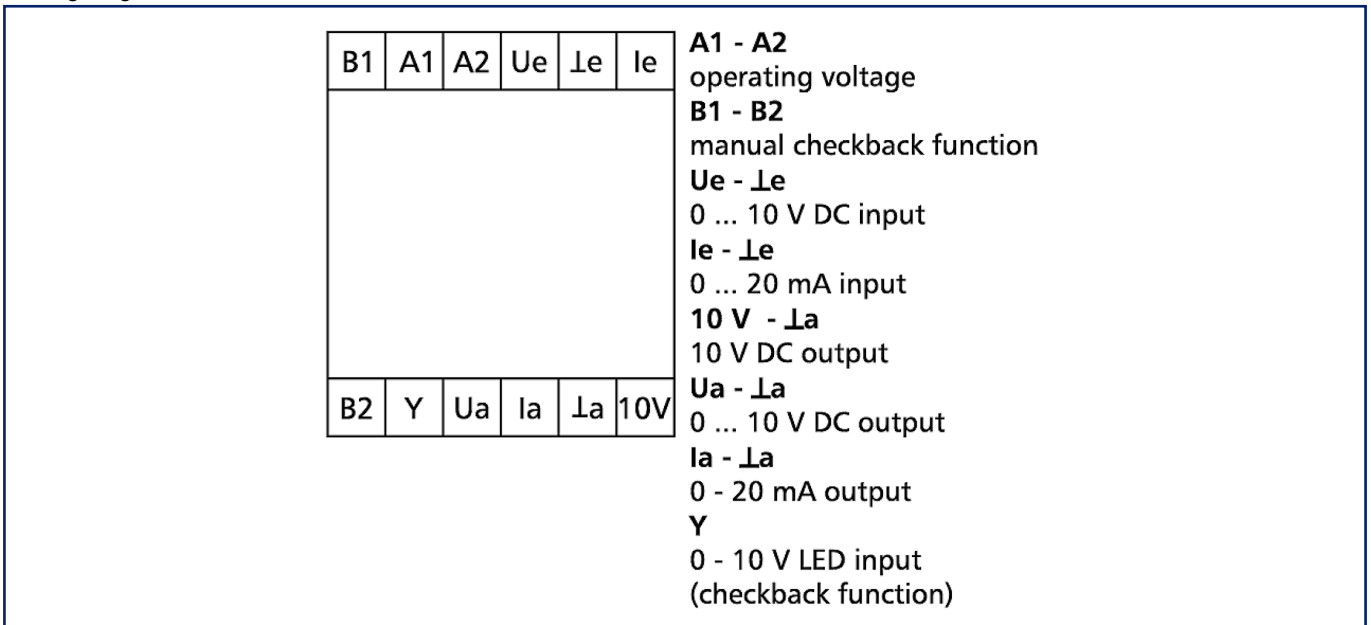
P/N  
110501  
EAN 4250184122173  
2025/08/18  
Version: J

Illustrations

Dimensional drawing



Wiring diagram



Data sheet  
**PT-C12 24 V AC/DC**

Page 5/5

P/N  
**110501**  
EAN 4250184122173  
2025/08/18  
Version: J

**Illustrations**

Circuit diagram

