

# Data sheet

**VEIk-E08, 230V AC, 24V AC/DC tp 0.05-250 s, ti 0.05-250 s**

Page 1/6

P/N  
110302

EAN 4250184121183

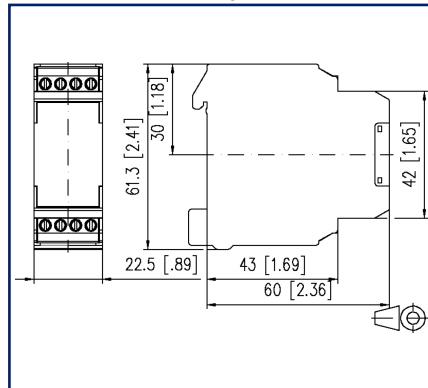
2025/11/03

Version: D

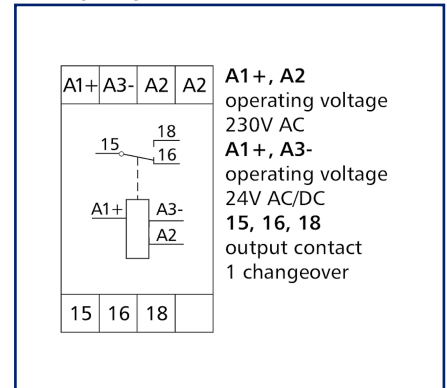
## Illustrations



Dimensional drawing



Wiring diagram



See enlarged drawings at the end of document

## Product specification

Single pulse generator with separately adjustable pause and pulse time. When the operating voltage is switched on, the output relay remains in the idle position for the duration of the pause time (tp) and then energises for the duration of the pulse time (ti). After briefly (tw) removing the operating voltage, the process is repeated.

- Single pulse generator
- Adjustable pause and pulse time
- Adjustable time ranges
- LED indicator
- Connection with screw type terminal blocks

## Technical Data

### Supply

Operating voltage	230 V AC / 24 V AC/DC -10% ... +10%
Frequency range	50 ... 60 Hz
Power consumption	
Power consumption 230 V AC	5.2 VA
Power consumption 24 V AC	0.5 VA
Power consumption 24 V DC	0.3 W
Duty cycle relative	100 %
Recovery time	> 50 ms
Protection circuit	Polarity reversal protection of operating voltage Varistor against interference voltage

### Time Ranges

Time range break	tp 0.05 - 250 s
Time range impulse	ti 0.05 - 250 s
Repeatability	0.1 %

### Outputs

Contacts	1 changeover contact
Contact material	AgSnO <sub>2</sub>
Switching voltage (max.)	250 V AC
Continuous Current	6 A
Protection	6 A
Switching frequency	1200 switching cycles/h
Mechanical life	2x10 <sup>7</sup> switching cycles
Electrical life	1x10 <sup>5</sup> switching cycles
Indicator	green and red LED

### Insulation coil - contact set

Nominal voltage of the power supply system	230 / 400 V AC
Overvoltage category	III   II
Degree of pollution	2   2
Rated test voltage	4 kV   2.5 kV
Type of insulation	basic insulation   reinforced insulation



Data sheet

**VEIk-E08, 230V AC, 24V AC/DC tp 0.05-250 s, ti 0.05-250 s**

P/N

110302

EAN 4250184121183

2025/11/03

Version: D

**Technical Data**

**Housing**

Dimensions

Dimension (W x H x D)	22.5 mm x 60 mm x 60 mm
Dimension (W x H x D)	0.886 in. x 2.362 in. x 2.362 in.
Weight	70 g
Mounting style	Standard rail TH35
Mounting position	any
Apposition	without distance
Connection type	Screw type terminal blocks

**Terminal blocks**

Wire cross section solid	0.34 mm <sup>2</sup> - 2.5 mm <sup>2</sup> / AWG 22-12
Wire cross section multi	0.25 mm <sup>2</sup> - 2.5 mm <sup>2</sup> / AWG 22-12
Wire cross section with wire ferrule	0.25 mm <sup>2</sup> - 2.5 mm <sup>2</sup> / AWG 22-12
Screw torque (max.)	0.5 Nm
Stripping length (min.)	8 mm

**Material**

Material - Housing	PA
Color	gray
Material - Terminal block	PA
Material - Covers	PA

**Protection category according to IEC 60529**

Protection category - housing (acc. to IEC 60529)	IP40
Protection category - terminal blocks (acc. to IEC 60529)	IP20

**Climatic Data**

Operating

Temperature - Operating °C	-10 °C - 55 °C
Temperature - Operating °F	14 °F - 131 °F
Relative humidity	max. 85 % non-condensing

Storage

Temperature - Storage °C	-25 °C - 70 °C
Temperature - Storage °F	-13 °F - 158 °F

Data sheet

Page 4/6

**VEIk-E08, 230V AC, 24V AC/DC tp 0.05-250 s, ti 0.05-250 s**P/N  
110302

EAN 4250184121183

2025/11/03

Version: D

## Technical Data

### Power loss

Power loss (typical) 1 W

### Classifications

ETIM 7.0 EC001439

ETIM 8.0 EC001439

ETIM 9.0 EC001439

ETIM 10.0 EC001439

### Application note

This product is a standard product of METZ CONNECT. METZ CONNECT is not aware of the specific intended use of the goods by the Customer or any customers of the Customer. The Customer guarantees that it has fully and sufficiently tested the use of the goods and any product modifications, product changes or product enhancements with regard to the specific intended use in accordance with the state of the art or in any other way. At METZ CONNECT's request, the Customer shall submit and make available meaningful evidence (e.g. test and laboratory protocols, certifications, etc.).



Data sheet

Page 5/6

**VEIk-E08, 230V AC, 24V AC/DC tp 0.05-250 s, ti 0.05-250 s**

P/N

110302

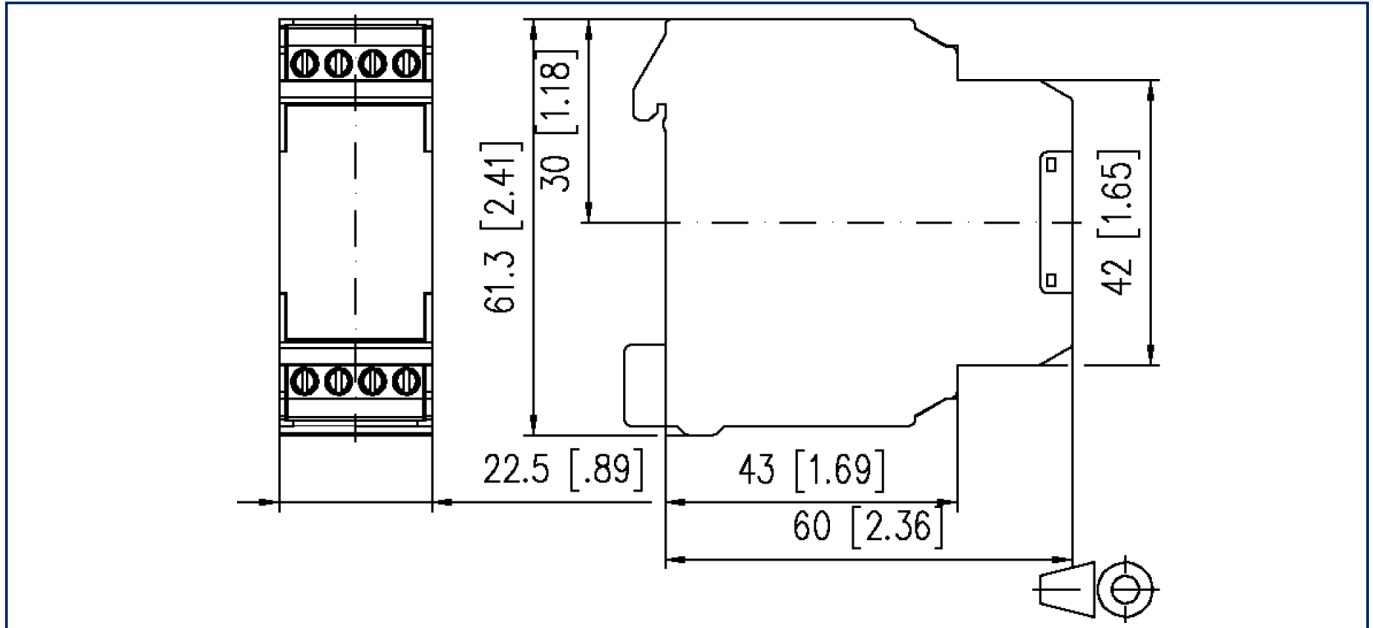
EAN 4250184121183

2025/11/03

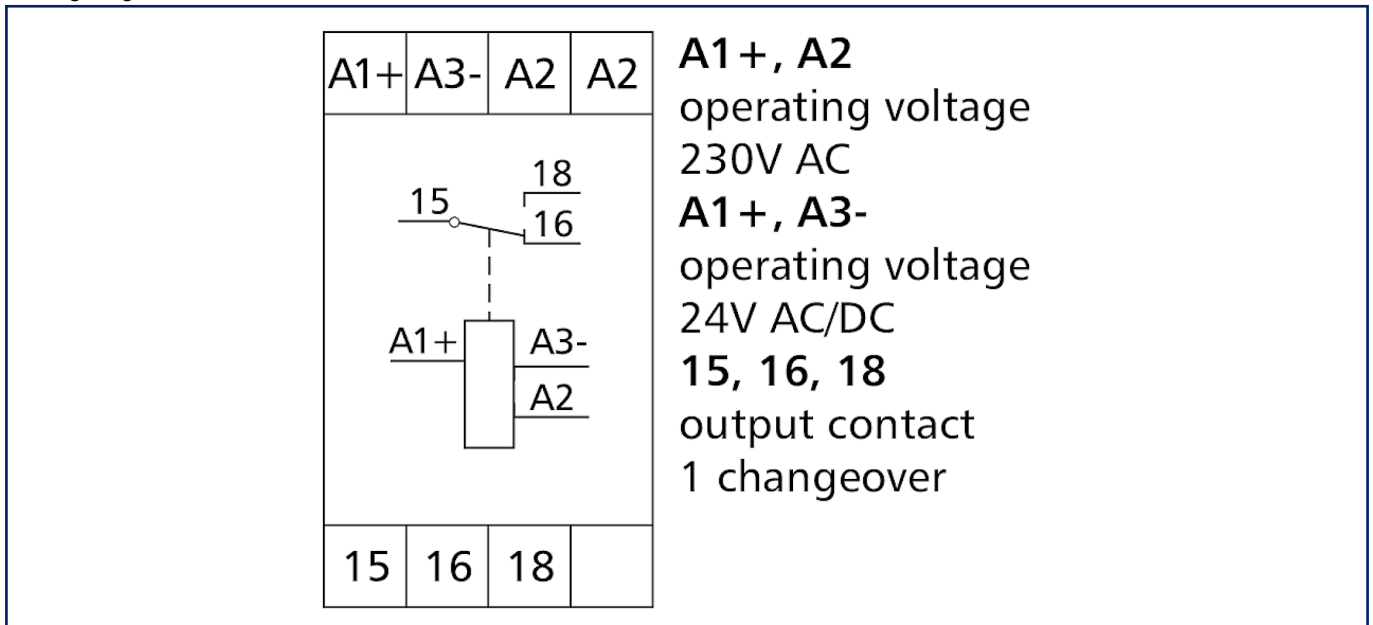
Version: D

## Illustrations

Dimensional drawing



Wiring diagram



Data sheet

Page 6/6

**VEIk-E08, 230V AC, 24V AC/DC tp 0.05-250 s, ti 0.05-250 s**

P/N

110302

EAN 4250184121183

2025/11/03

Version: D

## Illustrations

Function diagram

