

# Data sheet

## DRIW-E16, 24 V AC/DC

Page 1/7

P/N

1101501322

EAN 4250184120308

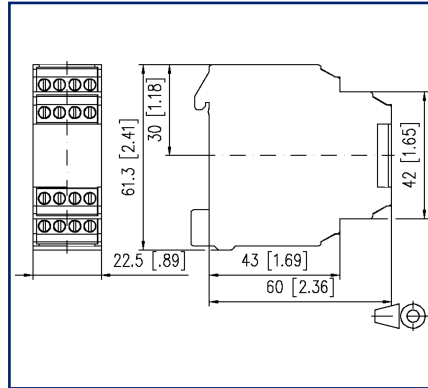
2025/08/20

Version: G

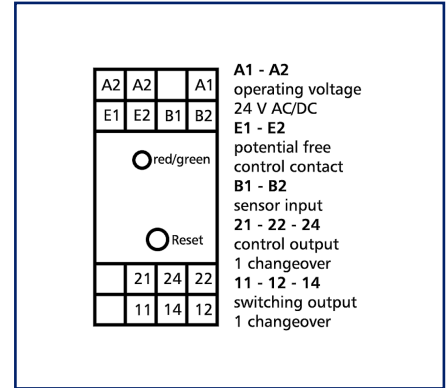
### Illustrations



Dimensional drawing



Wiring diagram



See enlarged drawings at the end of document

### Product specification

The speed and V-belt monitor is used for monitoring the rotary movement (insufficient speed) of motor and V-belt driven shafts. Inductive proximity switches are used for capturing the speed. Pulses are generated by the sensor without contact by means of driven control cams, toothed wheels, segmented discs, metal signal flags or similar. The relay is activated when the operating voltage is applied. After start-up bridging has finished, the monitoring function is started on the E1 and E2 terminals by means of the power contactor of the drive. When the drive speed falls below the switch-off speed, the relay is deactivated. The fault message of the speed or V-belt monitor is reset by means of the reset function und by switching off the operating voltage.



**Data sheet**  
**DRIW-E16, 24 V AC/DC**

P/N  
1101501322  
EAN 4250184120308  
2025/08/20  
Version: G

**Technical Data**

<b>Supply</b>	
Operating voltage	24 V AC/DC -10% ... +10%
Frequency range	50 ... 60 Hz
Duty cycle relative	100 %
Recovery time	400 ms
<b>Inputs</b>	
Release time typical	85 ms
<b>Outputs</b>	
Contacts	2 changeover contacts
Contact material	AgNi
Switching voltage (max.)	250 V
Continuous Current	6 A
Switching frequency	1200 switching cycles/h
Mechanical life	1x10 <sup>7</sup> switching cycles
Electrical life	1x10 <sup>5</sup> switching cycles
Indicator	green and red LED
<b>Insulation coil - contact set</b>	
Nominal voltage of the power supply system	230 / 400 V AC
Overvoltage category	III   II
Degree of pollution	2   2
Rated test voltage	4 kV   2.5 kV
Type of insulation	basic insulation   reinforced insulation
<b>Housing</b>	
Dimensions	
Dimension (W x H x D)	22.5 mm x 61.3 mm x 60 mm
Dimension (W x H x D)	0.886 in. x 2.413 in. x 2.362 in.
Weight	70 g
Mounting style	Standard rail TH35
Mounting position	any
Apposition	without distance
Connection type	Screw type terminal blocks

**Data sheet**  
**DRIW-E16, 24 V AC/DC**

**Technical Data**

**Terminal blocks**

Wire cross section solid	0.2 mm <sup>2</sup> - 2.5 mm <sup>2</sup> / AWG 22-12
Wire cross section multi	0.25 mm <sup>2</sup> - 2.5 mm <sup>2</sup> / AWG 22-12
Wire cross section with wire ferrule	0.25 mm <sup>2</sup> - 2.5 mm <sup>2</sup> / AWG 22-12
Screw torque (max.)	0.5 Nm
Stripping length (min.)	8 mm

**Material**

Material - Housing	Polyamid 6.6 V0
Color	gray
Material - Terminal block	Polyamid 6.6 V0
Material - Covers	Polyamid 6.6 V0

**Protection category according to IEC 60529**

Protection category - housing (acc. to IEC 60529)	IP40
Protection category - terminal blocks (acc. to IEC 60529)	IP20

**Climatic Data**

<b>Operating</b>	
Temperature - Operating °C	0 °C - 55 °C
Temperature - Operating °F	32 °F - 131 °F
Relative humidity	max. 85 % non-condensing
<b>Storage</b>	
Temperature - Storage °C	-20 °C - 70 °C
Temperature - Storage °F	-4 °F - 158 °F

**Classifications**

ETIM 7.0	EC001448
ETIM 8.0	EC001448
ETIM 9.0	EC001448
ETIM 10.0	EC001448

Data sheet

Page 4/7

**DRIW-E16, 24 V AC/DC**

P/N

**1101501322****EAN 4250184120308**

2025/08/20

Version: G

## Technical Data

### Application note

This product is a standard product of METZ CONNECT. METZ CONNECT is not aware of the specific intended use of the goods by the Customer or any customers of the Customer. The Customer guarantees that it has fully and sufficiently tested the use of the goods and any product modifications, product changes or product enhancements with regard to the specific intended use in accordance with the state of the art or in any other way. At METZ CONNECT's request, the Customer shall submit and make available meaningful evidence (e.g. test and laboratory protocols, certifications, etc.).



Data sheet  
**DRIW-E16, 24 V AC/DC**

Page 5/7

P/N

1101501322

EAN 4250184120308

2025/08/20

Version: G

## Accessories

P/N	Designation
110146	Mounting bracket HWR
110149	Two-wire Sensor (5 to 60 V DC)
110151	Mounting bracket HWF



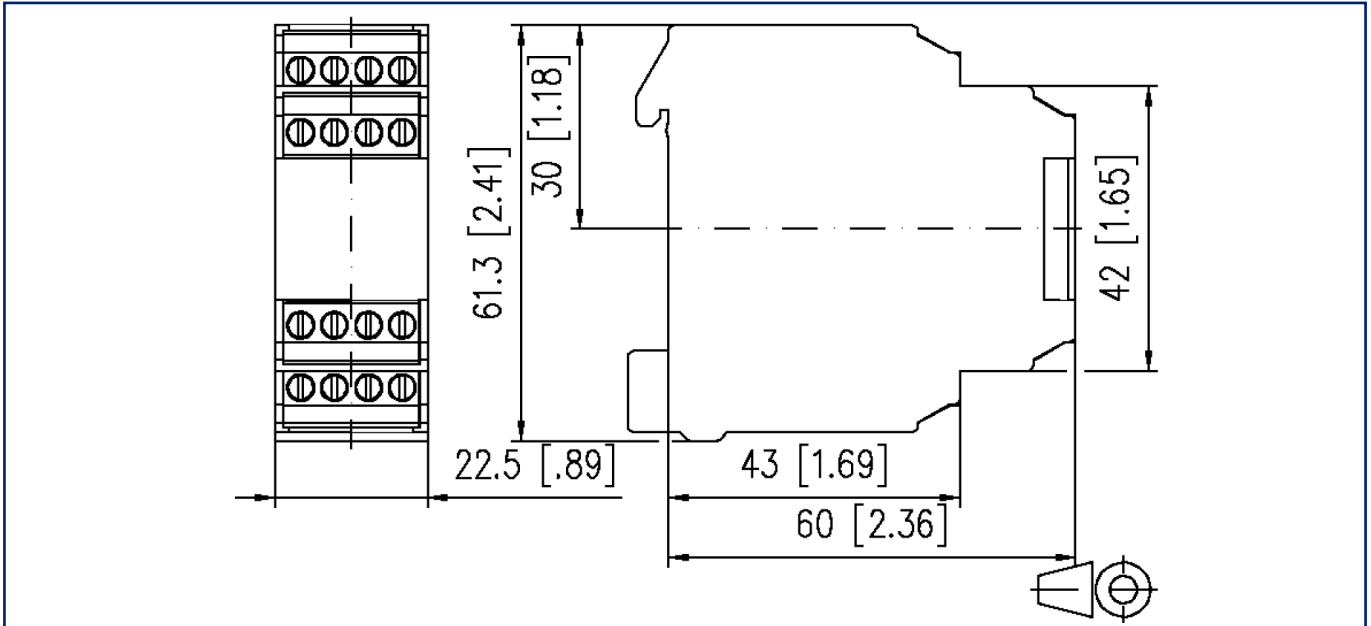
Data sheet  
**DRIW-E16, 24 V AC/DC**

Page 6/7

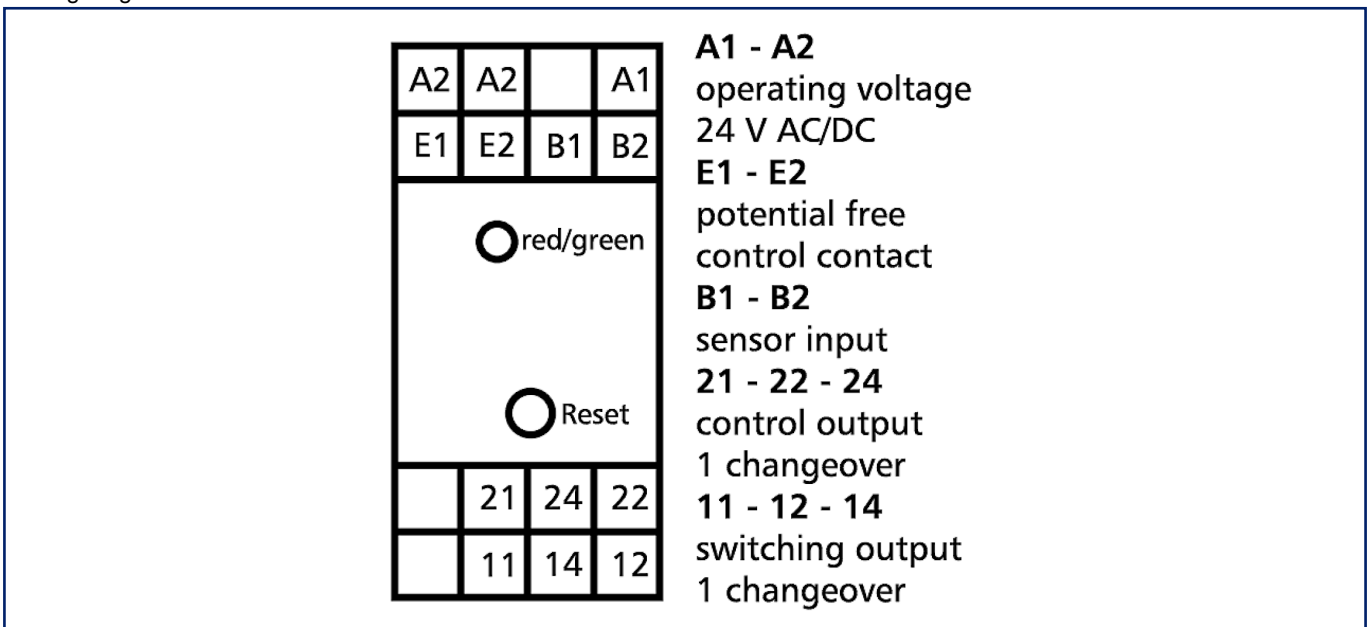
P/N  
**1101501322**  
**EAN 4250184120308**  
 2025/08/20  
 Version: G

**Illustrations**

Dimensional drawing



Wiring diagram



**Illustrations**

Function diagram

