

Data sheet

E-DAT C6_A LSA++ 2 Port UP pure white

Page 1/7

P/N

130E381002-I

EAN 4251394672991

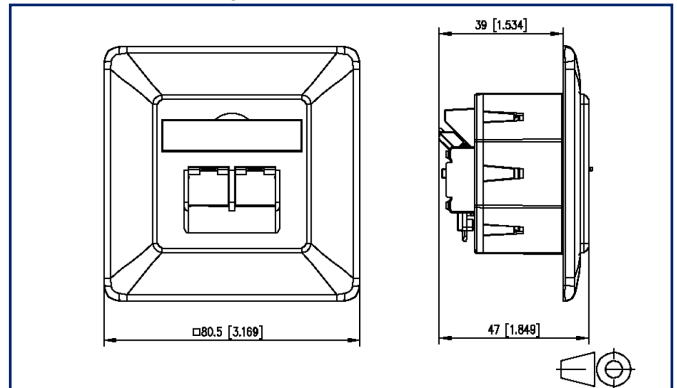
2025/09/22

Version: C

Illustrations



Dimensional drawing



See enlarged drawings at the end of document

Product specification

The RJ45 data wall outlet from METZ CONNECT impresses with maximum versatility and technical precision. It supports all common network standards - from classic telephony to high-performance 10-Gigabit Ethernet applications. Thanks to Power over Ethernet (PoE) up to 90 watts, IP-based devices such as cameras, access points, or VoIP phones can also be powered via the same cable. Made of high-quality die-cast zinc, the outlet not only offers exceptional durability but also optimal EMC protection. Thanks to the patented, optimized cable entry, the data outlet can be flexibly integrated into almost any installation scenario, and the proven LSA connection technology allows for quick installation - ideal for professional installers.

- variants, mounting type: AP, UP, UPk, UP0
- variants, number of ports: 1, 2



Data sheet
E-DAT C6_A LSA++ 2 Port UP pure white

P/N
130E381002-I
EAN 4251394672991
 2025/09/22
 Version: C

Technical Data

General Data	
Mechanical measurement according to MICE	M1
Ingress measurement according to MICE	I1
Climatic measurement according to MICE	C1
Electromagnetic measurement according to MICE	E2
Mounting style	UP
Mounting in standard flush-mounted and cavity wall cups	yes
With dust protection	yes
With termination resistor	no
Shielding	Shielded housing
Connection wiring	T568A and T568B
Color	pure white - RAL 9010
Compatible with design centerpieces of switch programs	yes, see compatibility list
Dimensions	
Dimension (L x W x H)	47 mm x 80.5 mm x 80.5 mm
Dimension (L x W x H)	1.85 in. x 3.169 in. x 3.169 in.
Labeling option	label window with identification label
Marking option Colour coding	Per coloured dust cap

Transmission characteristics

Category (ISO)	6 _A
Class (ISO/IEC)	E _A
Remote Powering	yes
PoE	IEEE 802.3af
PoE plus	IEEE 802.3at
UPoE	yes
4PPoE	IEEE 802.3bt
HDBaseT	yes
Transmission rate up to 100 MBit (Fast Ethernet)	IEEE 802.3bw
Transmission rate up to 1 GBit (Fast Ethernet)	IEEE 802.3ab
Transmission rate up to 10 GBit	IEEE 802.3an

E-DAT C6_A LSA++ 2 Port UP pure white

P/N

130E381002-I

EAN 4251394672991

2025/09/22

Version: C

Technical Data

Connections/interfaces

Connection type	LSA
Termination data, solid wire (min. - max.)	
Conductor cross section, solid wire	AWG 26/1 - AWG 22/1
Conductor cross section, solid wire	0.128 mm ² - 0.324 mm ²
Conductor diameter, solid wire (bare copper)	0.409 mm - 0.643 mm
Conductor diameter, solid wire (bare copper)	0.016 in. - 0.025 in.
Cable sheath diameter (min. - max.)	
Cable sheath diameter	5.5 mm - 10.0 mm
Cable sheath diameter	0.197 in. - 0.394 in.
Exhaust direction	inclined, 45° downwards

Electrical characteristics

Current carrying capacity	max. 1 A at 60 °C
Rated voltage	60 V
Contact resistance	20 mOhm
Insulation resistance	500 MOhm

Mechanical data

Position/mounting of latch standard installation position	top
strain relief	Holder on housing

Materials and material properties

Material - Supporting frame	GD-Zn
Material - Label window	PC, transparent
Material - Dust protection	ABS
Material - Contact	Hyper Ph-Br
Material - Contact finish	AuCo
Material - Shield	CuSn4
Material - Shield finish	tinned
Halogen free	yes



Data sheet
E-DAT C6_A LSA++ 2 Port UP pure white

P/N
130E381002-I
EAN 4251394672991
 2025/09/22
 Version: C

Technical Data

Environmental conditions

Temperature (min. - max.)	
Temperature - Storage °C	-40 °C - 70 °C
Temperature - Storage °F	-40 °F - 158 °F
Temperature - Operating °C	-40 °C - 70 °C
Temperature - Operating °F	-40 °F - 158 °F
IP class	IP20

Certifications

GHMT Type Approval		Component
--------------------	--	-----------

Standards/Regulations

General requirements	ISO/IEC 11801-1:2017-11 DIN EN 50173-1:2018-10 ANSI/TIA-568.2-D
Office buildings	ISO/IEC 11801-2:2017-11 DIN EN 50173-2:2018-10 ANSI/TIA-568.2-D
Living units	ISO/IEC 11801-4:2017-11 DIN EN 50173-4:2018-10 ANSI/TIA-570-D
Distributed building services	ISO/IEC 11801-6:2017-11 DIN EN 50173-6:2018-10 ANSI/TIA-862-B
Free and fixed connectors	DIN EN 60603-7-51:2011-01, DIN EN 60603-7:2022-10, DIN EN 60603-7-1:2012-01
Endurance tests	DIN EN 60603-7:2022-10, DIN EN 60603-7-1:2012-01
Degrees of Protection Provided by Enclosures	IEC 60529
Climate tests	DIN EN 60603-7:2022-10, DIN EN 60603-7-1:2012-01

Classifications

ETIM 8.0	EC001264
ETIM 9.0	EC001264
ETIM 10.0	EC001264

Data sheet

Page 5/7

E-DAT C6_A LSA++ 2 Port UP pure white

P/N

130E381002-I

EAN 4251394672991

2025/09/22

Version: C

Technical Data**Packing details**

Type of packaging 10 pc(s) / box

Application note

This product is a standard product of METZ CONNECT. METZ CONNECT is not aware of the specific intended use of the goods by the Customer or any customers of the Customer. The Customer guarantees that it has fully and sufficiently tested the use of the goods and any product modifications, product changes or product enhancements with regard to the specific intended use in accordance with the state of the art or in any other way. At METZ CONNECT's request, the Customer shall submit and make available meaningful evidence (e.g. test and laboratory protocols, certifications, etc.).



Data sheet
E-DAT C6_A LSA++ 2 Port UP pure white

Page 6/7

P/N
130E381002-I
EAN 4251394672991
2025/09/22
Version: C

Accessories

P/N	Designation
130818-E	Crimp Tool LSA-PLUS®
140302-01-E	Jokari dismantle tool
820394-0105-I	Dust protection covers for wall outlets yellow
820394-0106-I	Dust protection covers for wall outlets blue
820394-0107-I	Dust protection covers for wall outlets green
820394-0108-I	Dust protection covers for wall outlets red

Data sheet
E-DAT C6_A LSA++ 2 Port UP pure white

Page 7/7

P/N
130E381002-I
EAN **4251394672991**
2025/09/22
Version: C

Illustrations

Dimensional drawing

