

Data sheet

MCO IP69k Protective housing for outdoor use, set wall/ housing bushing

Page 1/7

P/N
14040100-E

EAN 4251394617596

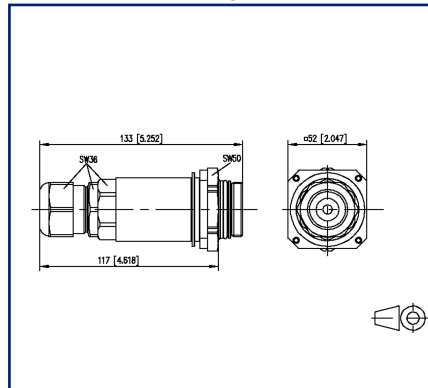
2025/09/22

Version: I

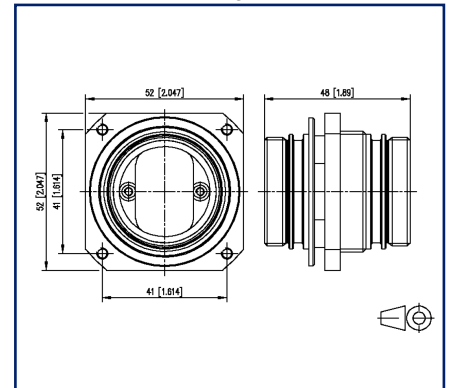
Illustrations



Dimensional drawing



Dimensional drawing



See enlarged drawings at the end of document

Product specification

- incl. M40 locknut (PA) for wall and housing mounting
- universally and flexibly usable
- completely dust- and waterproof
- resistant to ozone, UV-radiation and salt water
- resistant to high-pressure jet cleaning, high temperatures and strong vibrations
- tested according to IP69k, IP67 and IP66
- M32 tubes and flange made of anodised aluminium
- incl. M32 cable glands (PA) with sealing inserts, O-rings and adapter plates for MC module, keystone and fibre optic components, for clean mounting inside the flange
- suitable for cable sheath diameters from 4.5 to 15.0 mm



MCO IP69k Protective housing for outdoor use, set wall/ housing bushing

P/N
14040100-E

EAN 4251394617596

2025/09/22

Version: I

Technical Data

General Data

| | |
|-----------------------|-----------------------------------|
| Color | Aluminium anodised/black |
| Dimensions | |
| Dimension (L x W x H) | 140 mm x 52 mm x 52 mm |
| Dimension (L x W x H) | 5.512 in. x 2.047 in. x 2.047 in. |

Connections/interfaces

| | |
|-------------------------------------|----------------|
| Cable sheath diameter (min. - max.) | |
| Cable sheath diameter | 4.5 mm - 15 mm |

Materials and material properties

| | |
|--------------------------------------|----------------|
| Material - Protective housing | Al (Aluminium) |
| Material - Protective housing finish | anodized |
| Material - Cable glands seal | TPE |
| Material - Cable gland | PA (polyamide) |
| RoHS | yes |

Environmental conditions

| | |
|----------------------------|---------------------|
| Temperature (min. - max.) | |
| Temperature - Operating °C | -40 °C - 85 °C |
| Temperature - Operating °F | -40 °F - 185 °F |
| Particulate ingress | IP6X |
| Liquid ingress/immersion | IPX6 / IPX7 / IPX9K |

Classifications

| | |
|-----------|----------|
| ETIM 7.0 | EC000444 |
| ETIM 8.0 | EC000444 |
| ETIM 9.0 | EC000444 |
| ETIM 10.0 | EC000444 |

Packing details

| | |
|-------------------|---------------|
| Type of packaging | 1 pc(s) / box |
|-------------------|---------------|



Data sheet

Page 3/7

**MCO IP69k Protective housing for outdoor use,
set wall/ housing bushing**

P/N

14040100-E

EAN 4251394617596

2025/09/22

Version: I

Technical Data**Notes**

Safety instructions

The rated voltage of the installed components shouldn't increase over 50 VAC or 75 VDC.

Application note

This product is a standard product of METZ CONNECT. METZ CONNECT is not aware of the specific intended use of the goods by the Customer or any customers of the Customer. The Customer guarantees that it has fully and sufficiently tested the use of the goods and any product modifications, product changes or product enhancements with regard to the specific intended use in accordance with the state of the art or in any other way. At METZ CONNECT's request, the Customer shall submit and make available meaningful evidence (e.g. test and laboratory protocols, certifications, etc.).



MCO IP69k Protective housing for outdoor use, set wall/ housing bushing

P/N
14040100-E

EAN 4251394617596

2025/09/22

Version: I

Accessories

| P/N | Designation |
|----------------|--|
| 130863-02-DNV | Cable connector class F _A DNV |
| 130863-02-E | Cable connector class F _A |
| 130863-04-E | Cable connector class E _A 180° |
| 130908-I-B1 | UAE modul Cat.5e white |
| 130909-I | UAE modul Cat.6 jack white |
| 130910-DNV | E-DAT modul Cat.6 _A 8(8) jack DNV |
| 130910-I | E-DAT modul Cat.6 _A 8(8) jack |
| 130910K-DNV | E-DAT modul Cat.6 _A K jack - Keystone style DNV |
| 130910KI | E-DAT modul Cat.6 _A K jack - Keystone style |
| 130910KZ | E-DAT modul Cat.6 _A K jack - Keystone style (12 pcs) |
| 130910-Z | E-DAT modul Cat.6 _A 8(8) jack, (12 pcs) |
| 1309A0-I | E-DAT modul coupler 8(8) 180° class E _A |
| 130A08-I-B1 | UTP modul Cat.5e white |
| 130A10-29-I-B1 | UTP modul 8(8) Cat.6 black |
| 130A11-29-I | UAE modul 8(8) Cat.6 _A black |
| 130A11-29KI | UTP modul 8(8) Cat.6 _A Keystone black |
| 130A11-I | UAE modul 8(8) Cat.6 _A white |
| 130A11KI | UTP modul 8(8) Cat.6 _A Keystone white |
| 130B11-25-E | 25Gmodul |
| 130B11-25-Z | 25Gmodul (12 pcs) |
| 130B11-DNV | C6 _A modul 180° jack DNV |
| 130B11-E | C6 _A modul 180° jack |
| 130B11-Z | C6 _A modul 180° jack (12 pcs) |
| 130B21-25-E | 25Gmodul - Keystone |
| 130B21-25-Z | 25Gmodul - Keystone style (12 pcs) |
| 130B21-DNV | C6 _A modul K 180° jack DNV - Keystone style |
| 130B21-E | C6 _A modul K 180° jack - keystone style |
| 130B21-Z | C6 _A modul K 180° jack - Keystone style (12 pcs) |
| 130E405032-DNV | C6 _A RJ45 field plug pro DNV |
| 130E405032-E | C6 _A RJ45 field plug pro |
| 1401100810MI | E-DAT Industry RJ45 field jack insert Cat.6 Class E _A , T568A |
| 1401200810MI | E-DAT Industry RJ45 coupler insert Class E |
| 1401405012-DNV | E-DAT Industry RJ45 field plug black Cat.6 Class E _A DNV |

MCO IP69k Protective housing for outdoor use, set wall/ housing bushing

P/N
14040100-E

EAN 4251394617596

2025/09/22

Version: I

Accessories

| | |
|--------------|---|
| 1401800810MI | E-DAT Industry RJ45 field jack insert Cat.6 Class E _A , T568B |
| 1401900810MI | E-DAT Industry RJ45 field jack insert Cat.6 Class E _A , PROFINET |
| 1402300820MI | OpDAT Industry LC-D MM adapter insert |
| 1402L00820MI | OpDAT Industry LC-D SM adapter insert |
| 14040Z02-E | MCO IP69k protective cover for flange |
| 14040Z03-E | Protection cap for tube |
| 15090012-50 | OpDAT adapter SC-Simplex OM2 - 50 pieces |
| 1509001A-50 | OpDAT adapter SC-Simplex APC OS2 - 50 pieces |
| 1509001A-I | OpDAT adapter SC-Simplex APC OS2 |
| 1509001B-50 | OpDAT adapter SC-Simplex UPC OS2 - 50 pieces |
| 1509001B-I | OpDAT adapter SC-Simplex UPC OS2 |
| 1509001C-50 | OpDAT adapter SC-Simplex OM3 - 50 pieces |
| 1509001C-I | OpDAT adapter SC-Simplex OM3 |
| 1509001D-50 | OpDAT adapter SC-Simplex OM4 - 50 pieces |
| 1509001D-I | OpDAT adapter SC-Simplex OM4 |
| 1509001H-I | OpDAT adapter SC-Simplex APC OS2 with shutter |
| 1509001M-50 | OpDAT adapter SC-Simplex OM5 - 50 pieces |
| 1509001M-I | OpDAT adapter SC-Simplex OM5 |
| 15090058-I | OpDAT adapter E2000-Simplex OS2 |
| 15090059-I | OpDAT adapter E2000-Simplex APC OS2 |
| 1509005A-I | OpDAT adapter E2000-Duplex MM with Snap-In mounting |
| 1509005B-I | OpDAT adapter E2000-Duplex OS2 with Snap-In mounting |
| 1509005C-I | OpDAT adapter E2000-Duplex APC OS2 with Snap-In mounting |
| 1509005F-I | OpDAT adapter E2000-Duplex APC OS2 with flange mounting |
| 1509005G-I | OpDAT adapter E2000-Simplex OM5 |
| 1509005H-I | OpDAT adapter E2000-Simplex OM3 |
| 1509005MA-I | OpDAT adapter MTP [®] OM3 type A |
| 1509005M-I | OpDAT adapter E2000-Simplex OS2 |
| 15090074-50 | OpDAT adapter LC-Duplex OS2 - 50 pieces |
| 15090074-I | OpDAT adapter LC-Duplex OS2 |
| 15090075-50 | OpDAT adapter LC-Duplex OM4 - 50 pieces |
| 15090075-I | OpDAT adapter LC-Duplex OM4 |
| 15090076-50 | OpDAT adapter LC-Duplex APC OS2 - 50 pieces |

MCO IP69k Protective housing for outdoor use, set wall/ housing bushing

P/N
14040100-E

EAN 4251394617596

2025/09/22

Version: I

Accessories

| | |
|-----------------|---|
| 15090076-I | OpDAT adapter LC-Duplex APC OS2 |
| 15090077-50 | OpDAT adapter LC-Duplex OM3 - 50 pieces |
| 15090077-I | OpDAT adapter LC-Duplex OM3 |
| 1509007B-I | OpDAT adapter LC-Duplex MM |
| 1509007G-I | OpDAT adapter LC-Duplex APC OS2 with inner shutter |
| 1509007MA-I | OpDAT adapter MTP® OM4 type A |
| 1509007MB-I | OpDAT adapter MTP® OM4 type B |
| 1509007M-I | OpDAT adapter LC-Duplex OM5 |
| 1509008MA-I | OpDAT adapter MTP® OM5 type A |
| 1509008MB-I | OpDAT adapter MTP® OM5 type B |
| 1509009MA-I | OpDAT adapter MTP® APC OS2 type A |
| 15091071-I | OpDAT modul LC-Duplex OS2 |
| 15091072-I | OpDAT modul LC-Duplex OM3 |
| 15091075-I | OpDAT modul LC-Duplex OM4 |
| 15091076-I | OpDAT modul LC-Duplex APC OS2 |
| 1509107B-I | OpDAT modul LC-Duplex MM |
| 1509107M-I | OpDAT modul LC-Duplex OM5 |
| 895154-I | Split seal for patch cords |
| MMF881A315-DNV | M12 jack, X-coded, IP67, Cat.6 _A , Ø 6-9.7 mm, field assembly, straight DNV |
| MMF881A315-DNV1 | M12 jack, X-coded, IP67, Cat.6 _A , Ø 6-9.7 mm, field assembly, with flange DNV |
| MNF881A315-DNV1 | M12 plug, X-coded, IP67, Cat.6 _A , Ø 6-9.7 mm, field assembly, straight DNV |

Data sheet

Page 7/7

**MCO IP69k Protective housing for outdoor use,
set wall/ housing bushing**

P/N
14040100-E

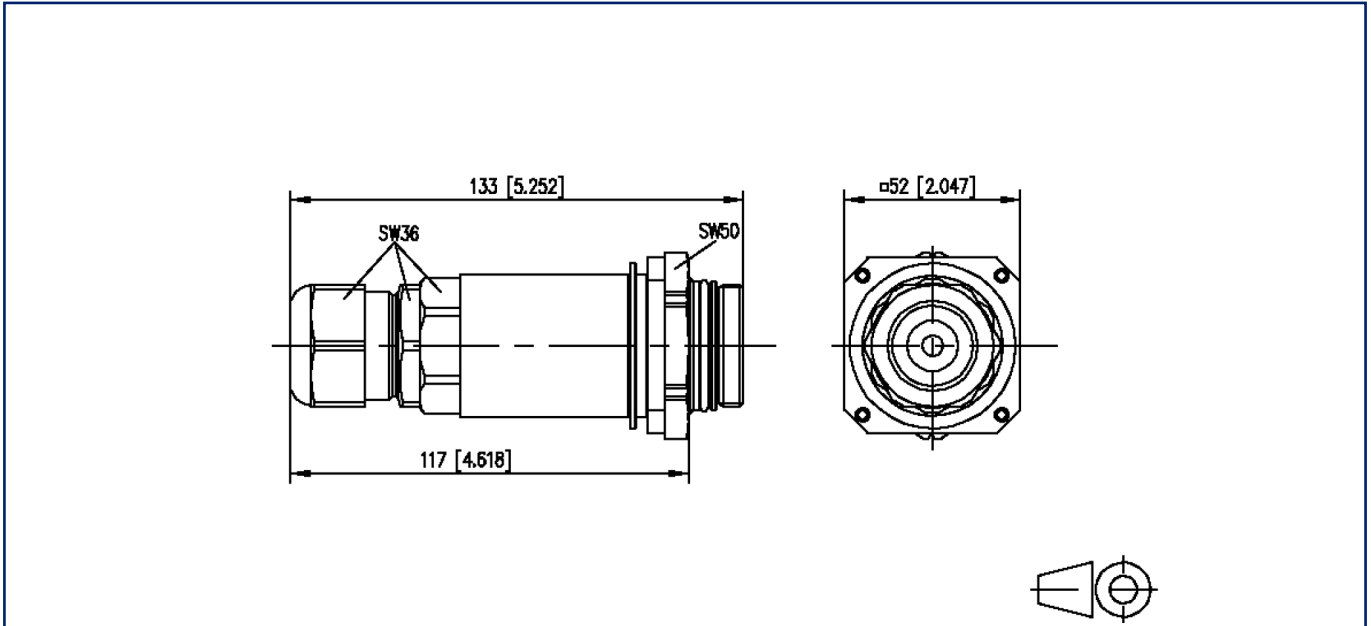
EAN 4251394617596

2025/09/22

Version: I

Illustrations

Dimensional drawing



Dimensional drawing

