

Data sheet

OpDAT adapter E2000-Duplex MM with Snap-In mounting

Page 1/5

P/N
1509005A-I

EAN 4250184149422

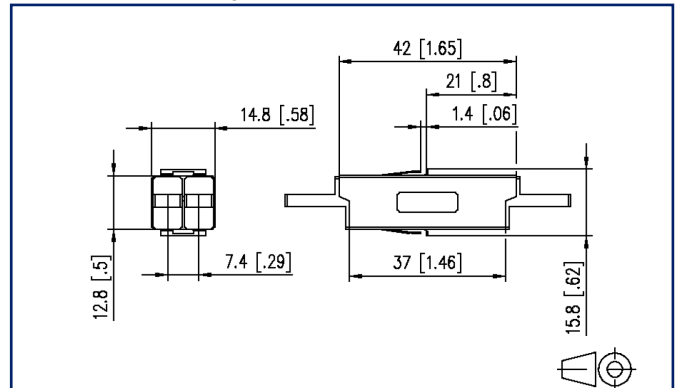
2025/09/18

Version: AA

Illustrations



Dimensional drawing



See enlarged drawings at the end of document

Product specification

- housing of the E2000 DC (duplex compact) adapter made of plastic
- slotted sleeve made of ceramics
- high material stability and surface quality and long service life
- service life: min. 1000 plug cycles
- snap-in mounting
- variants: blue (SM), green (SM APC), beige (MM)



OpDAT adapter E2000-Duplex MM with Snap-In mounting

P/N
1509005A-I

EAN 4250184149422

2025/09/18

Version: AA

Technical Data

General Data

Fields of application	structured building cabling fiber to the desk data center
Mechanical measurement according to MICE	M1
Ingress measurement according to MICE	I1
Climatic measurement according to MICE	C1
Electromagnetic measurement according to MICE	E3
Design	coupler / adapter (FO)
Transmission technology	Fiber optic
Color	beige
Dimensions	
Dimension (L x W x H)	42 mm x 13 mm x 9.2 mm
Dimension (L x W x H)	1.654 in. x 0.512 in. x 0.362 in.
Mode type of the fiber	Multimode
Labeling option	on housing

Connections/interfaces

Connector interfaces	E2000
----------------------	-------

Mechanical data

Cut-out	E2000-D
Connector type	duplex
Mounting method	snap-in function
Life - Number of mating cycles	min. 1000
Position/mounting of latch standard installation position	top

Materials and material properties

Material - Housing	Plastics
Material - Sleeve	ceramic, slotted
Halogen free	yes
RoHS	compliant

OpDAT adapter E2000-Duplex MM with Snap-In mounting

P/N
1509005A-I

EAN 4250184149422

2025/09/18

Version: AA

Technical Data

Certifications

GHMT PVP



yes

Standards/Regulations

Fibre optic connector interfaces

LSH - IEC 61754-15

Classifications

ETIM 7.0

EC000752

ETIM 8.0

EC000752

ETIM 9.0

EC000752

ETIM 10.0

EC000752

Packing details

Type of packaging

1 pc(s) / plastic bag

Application note

This product is a standard product of METZ CONNECT. METZ CONNECT is not aware of the specific intended use of the goods by the Customer or any customers of the Customer. The Customer guarantees that it has fully and sufficiently tested the use of the goods and any product modifications, product changes or product enhancements with regard to the specific intended use in accordance with the state of the art or in any other way. At METZ CONNECT's request, the Customer shall submit and make available meaningful evidence (e.g. test and laboratory protocols, certifications, etc.).



Data sheet

Page 4/5

OpDAT adapter E2000-Duplex MM with Snap-In mountingP/N
1509005A-I

EAN 4250184149422

2025/09/18

Version: AA

Accessories from

P/N	Designation
1309426103-E	E-DAT modul REG unequipped IP20 light gray
1309427103-E	Modul REGplus IP20 light gray unequipped
1309428103-E	Keystone REGplus IP20 light gray unequipped
14040000-E	MCO IP69k protective housing for outdoor use, set for exposed installation
14040010-E	MCO IP69k Protective housing for outdoor use, set with mounting bracket
14040100-E	MCO IP69k Protective housing for outdoor use, set wall/ housing bushing
15024A5A00-E	OpDAT REGpro front cover for 6xE2000-D Snap-In
15036Z5F00-E	OpDAT MV patch panel 9xE2000-D unequipped



Data sheet

Page 5/5

OpDAT adapter E2000-Duplex MM with Snap-In mounting

P/N

1509005A-I

EAN 4250184149422

2025/09/18

Version: AA

Illustrations

Dimensional drawing

