

Data sheet

REGplus IRT-FF COAX F/F

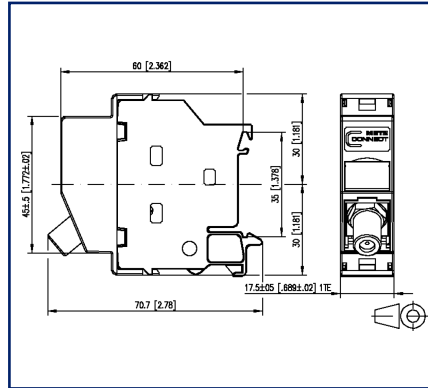
Page 1/6

P/N
130898018003-E
EAN 4251394685922
2025/07/09
Version: C

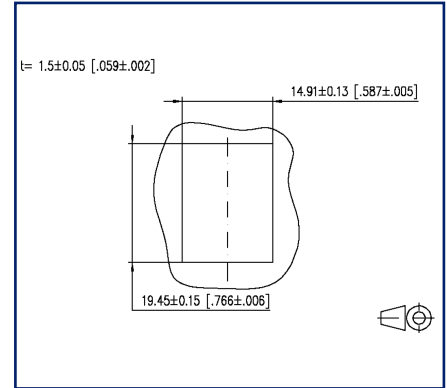
Illustrations



Dimensional drawing



Cut-out



See enlarged drawings at the end of document

Product specification

- termination unit for mounting on TH35 rails to DIN EN 60715 in electrical distribution panels for home and industrial installations
- new METZ CONNECT IRT-FF technology, packaged without plastic foil (Installation ready technology - foil free)
- equipped with a KOAX F/F coupling for F plugs on both sides
- 75 Ohm feed-through coupling
- without end and coupling units
- suitable for return channel
- with gold-plated 4-finger contacts
- return loss 30 dB at 3 to 2000 MHz
- plug-in direction inclined 45° downwards
- the width of 1TE enables the installation of up to 12 REGplus in standard electrical distributors



Data sheet
REGplus IRT-FF COAX F/F

P/N
130898018003-E
EAN 4251394685922
2025/07/09
Version: C

Technical Data

General Data

Fields of application	office areas
Mechanical measurement according to MICE	M1
Ingress measurement according to MICE	I1
Climatic measurement according to MICE	C1
Electromagnetic measurement according to MICE	E1
Design	wall outlet
Mounting style	Standard rail TH35
Shielding	shielded
Transmission technology	Coax
Color	light gray
Dimensions	
Dimension (L x W x H)	70.7 mm x 17.5 mm x 60 mm
Dimension (L x W x H)	2.783 in. x 0.689 in. x 2.362 in.
Labeling option	label window with identification label

Connections/interfaces

Connector technology interface 1	F-jack
Connector technology interface 2	F-jack
Number of ports interface 1	1
Number of ports interface 2	1
Number of equipped ports interface 1	1
Number of ports interface 2 equipped	1

Materials and material properties

Material - Cover part(s)	PA66
Material - Lower housing	PA66
Material - Label window	ABS, transparent
RoHS	compliant

REGplus IRT-FF COAX F/F

P/N

130898018003-E

EAN 4251394685922

2025/07/09

Version: C

Technical Data**Environmental conditions**

Temperature (min. - max.)

Temperature - Storage °C -40 °C - 70 °C

Temperature - Storage °F -40 °F - 158 °F

Temperature - Operating °C -40 °C - 70 °C

Temperature - Operating °F -40 °F - 158 °F

Classifications

ETIM 7.0 EC001024

ETIM 8.0 EC001024

ETIM 9.0 EC001024

ETIM 10.0 EC001024

Packing details

Type of packaging 20 pc(s) / box

Application note

This product is a standard product of METZ CONNECT. METZ CONNECT is not aware of the specific intended use of the goods by the Customer or any customers of the Customer. The Customer guarantees that it has fully and sufficiently tested the use of the goods and any product modifications, product changes or product enhancements with regard to the specific intended use in accordance with the state of the art or in any other way. At METZ CONNECT's request, the Customer shall submit and make available meaningful evidence (e.g. test and laboratory protocols, certifications, etc.).



Accessories

P/N	Designation
130898-00-I	BLIND module light gray
130898-00-RW-I	BLIND module pure white
130898-01-I	COAX modul F jack / F jack
130898-02-I	COAX modul IEC jack / F jack
130898-03-I	COAX modul IEC plug / F jack
130908-I-B1	UAE modul Cat.5e white
130909-I	UAE modul Cat.6 jack white
130910-DNV	E-DAT modul Cat.6 _A 8(8) jack DNV
130910-I	E-DAT modul Cat.6 _A 8(8) jack
130910-I-B1	E-DAT modul Cat.6 _A 8(8) jack, T568B
130910-Z	E-DAT modul Cat.6 _A 8(8) jack, (12 pcs)
1309A0-I	E-DAT modul coupler 8(8) 180° class E _A
1309A1-I	E-DAT modul coupler 8(8) 90° class E _A
130A11-29-I	UAE modul 8(8) Cat.6 _A black
130A11-I	UAE modul 8(8) Cat.6 _A white
130B11-25-E	25Gmodul
130B11-25-Z	25Gmodul (12 pcs)
130B11-DNV	C6 _A modul 180° jack DNV
130B11-E	C6 _A modul 180° jack
130B11-Z	C6 _A modul 180° jack (12 pcs)
130B12-DNV	C6 _A modul 270° jack DNV
130B12-E	C6 _A modul 270° jack
15091001-I	OpDAT modul ST OS2
15091071-I	OpDAT modul LC-Duplex OS2
15091072-I	OpDAT modul LC-Duplex OM3
15091075-I	OpDAT modul LC-Duplex OM4
15091076-I	OpDAT modul LC-Duplex APC OS2
1509107B-I	OpDAT modul LC-Duplex MM
816979-0103-I	Dust protection covers for Modul patch panels subway / REG gray
816979-0105-I	Dust protection covers for Modul patch panels subway / REG yellow
816979-0106-I	Dust protection covers for Modul patch panels subway / REG blue

Data sheet
REGplus IRT-FF COAX F/F

Page 5/6

P/N
130898018003-E
EAN 4251394685922
2025/07/09
Version: C

Accessories

816979-0107-I	Dust protection covers for Modul patch panels subway / REG green
816979-0108-I	Dust protection covers for Modul patch panels subway / REG red
899011-01	Label sheet for Modul patch panels / REG



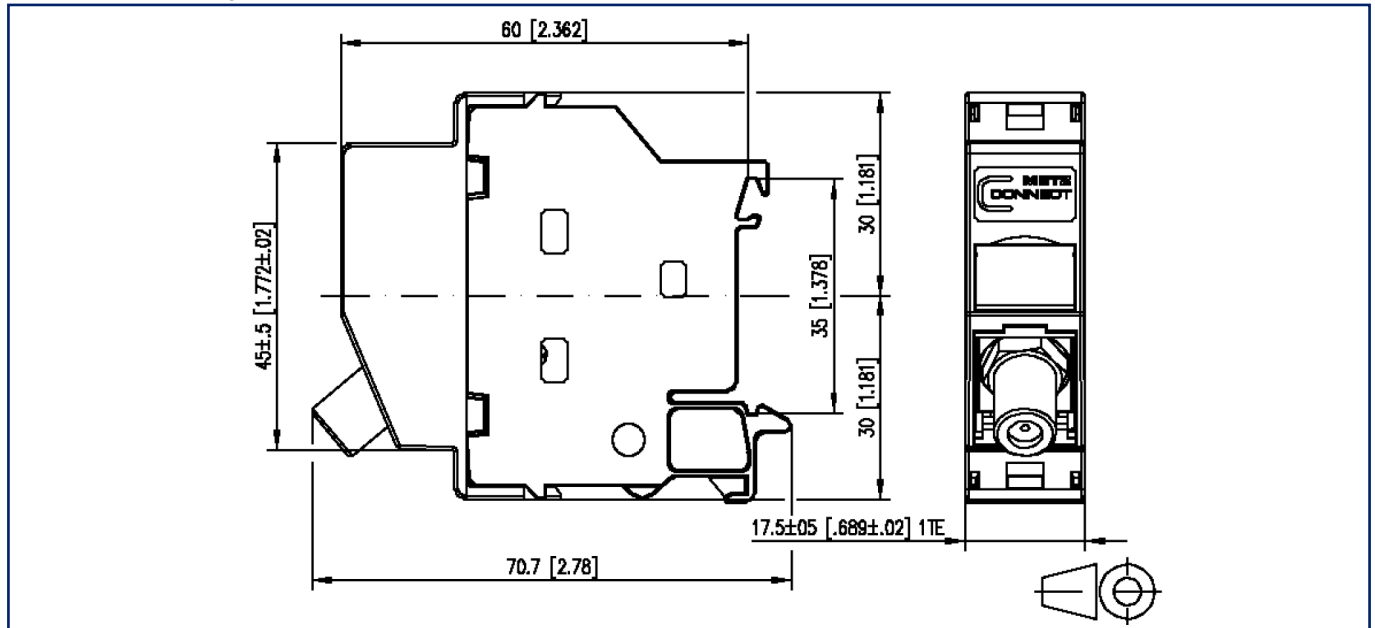
Data sheet
REGplus IRT-FF COAX F/F

Page 6/6

P/N
130898018003-E
EAN 4251394685922
2025/07/09
Version: C

Illustrations

Dimensional drawing



Cut-out

