

Data sheet

SR207xxDBVN

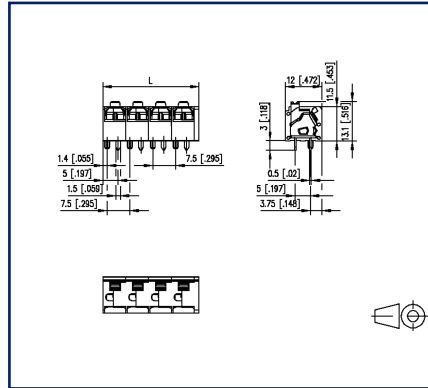
Page 1/5

P/N
SR207XXDBVN
 xx=number of poles
 2025/08/27
 Version: S

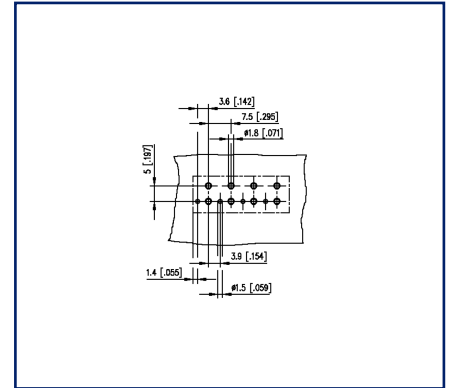
Illustrations



Dimensional drawing as an example



Drill pattern as an example



See enlarged drawings at the end of document

Product specification

- spring clamp terminal block, THR solderable, double solder pins
- centerline 7.50 mm, direction of connection 45°
- color black
- push-button, double solder pins
- Tape & Reel packaging possible



Data sheet
SR207xxDBVN

P/N
SR207XXDBVN
xx=number of poles
2025/08/27
Version: S

Technical Data



General Data

Solder pin length	3 mm		
min. number of poles	1		
max. number of poles	12		
Insulating material class	CTI 600		
clearance/creepage dist.	4.7 mm		
Protection category	IP20		
Insul. strip length	9 mm		
Rated current	16 A		
Overvoltage category	III	III	II
Pollution degree	3	2	2
Rated voltage	320 V	800 V	800 V
Rated test voltage	6 kV	6 kV	6 kV

Terminal data

rat.wiring solid AWGmax	0.5 mm ² - 2.5 mm ² / AWG 20 - AWG 14		
rat.wiring strand.AWGmax	0.5 mm ² - 2.5 mm ² / AWG 20 - AWG 14		

Approvals

 V / A / AWG	300 / 16 / 20 - 14		
approval UL - File No.	E121004		
	250 V / 24 A / T60		

Material

insulating material	PA/PPA
flammability class	V0
spring material	Spring steel
contact material	CuSn
Contact surface	Sn
Glow-Wire Flammability GWFI	960 °C acc. to IEC 60695-2-12
Glow-Wire Flammability GWIT	775 °C acc. to IEC 60695-2-13

Climatic Data

upper limit temperature	125 °C
lower limit temperature	-40 °C

Data sheet
SR207xxDBVN

Page 3/5

P/N
SR207XXDBVN
xx=number of poles
2025/08/27
Version: S**Technical Data****general**

Tolerance	ISO 2768 -mH
Solderability	reflowable

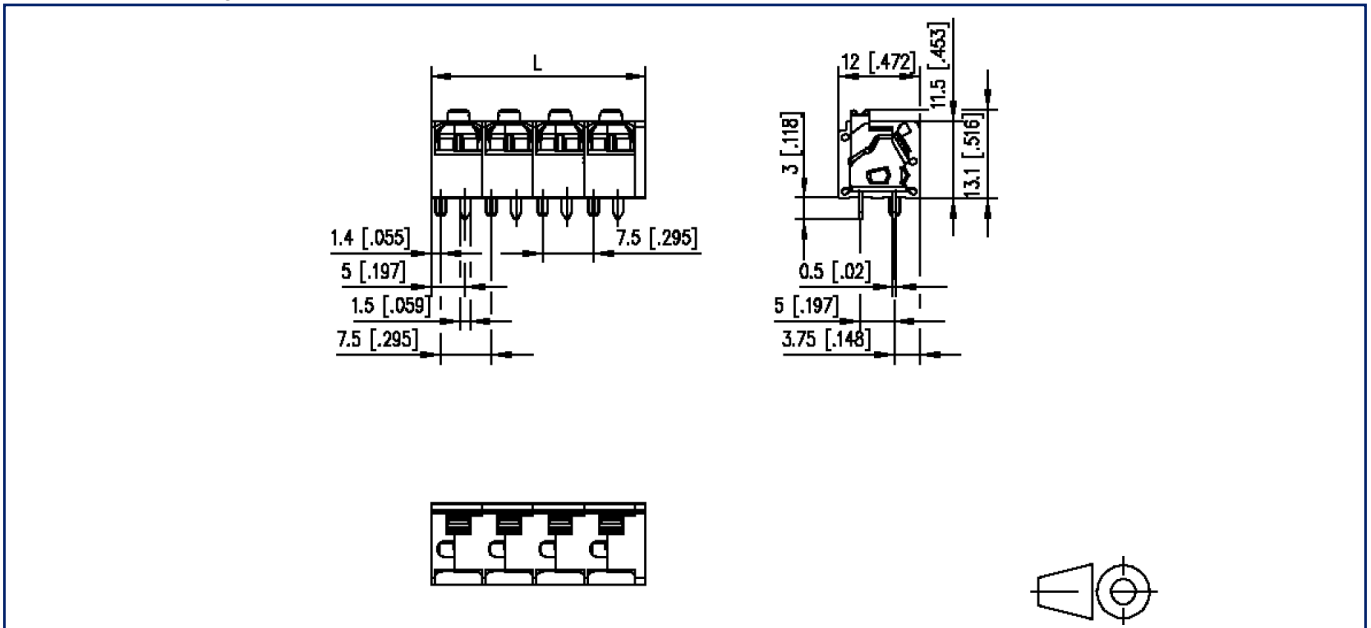
Application note

This product is a standard product of METZ CONNECT. METZ CONNECT is not aware of the specific intended use of the goods by the Customer or any customers of the Customer. The Customer guarantees that it has fully and sufficiently tested the use of the goods and any product modifications, product changes or product enhancements with regard to the specific intended use in accordance with the state of the art or in any other way. At METZ CONNECT's request, the Customer shall submit and make available meaningful evidence (e.g. test and laboratory protocols, certifications, etc.).



Illustrations

Dimensional drawing as an example



$L = (\text{pole size} - 1) \times \text{centerline} + 9.1 \text{ mm} [0.358]$



Illustrations

Drill pattern as an example

