

# Data sheet

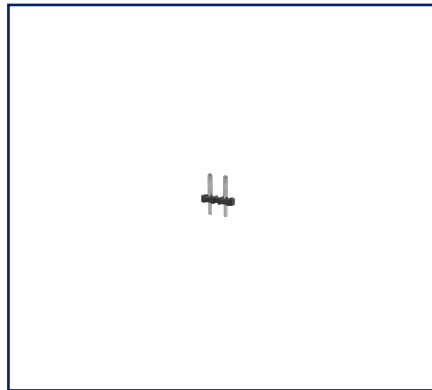
## PR01502VBHC Type 017

Page 1/6

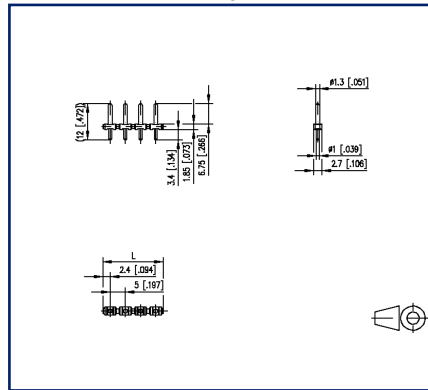
P/N  
31017102

2026/03/17  
Version: A

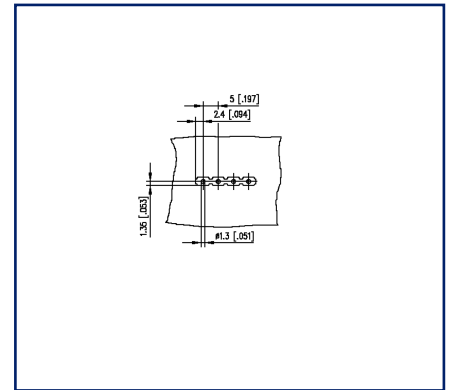
### Illustrations



Dimensional drawing as an example



Drill pattern as an example



See enlarged drawings at the end of document

### Product specification

- pin header, THR solderable
- centerline 5.00 mm, direction of connection vertical 0°
- fittable without loss of poles
- color black
- Tape & Reel packaging possible

**Data sheet**  
**PR01502VBHC Type 017**

Page 2/6

P/N  
**31017102**



2026/03/17  
Version: A

**Technical Data**

**General Data**

Solder pin length	3.4 mm		
pole size	2		
Insulating material class	CTI 400		
clearance/creepage dist.	3.7 mm		
Protection category	IP00		
Rated current	10 A		
Overvoltage category	III	III	II
Pollution degree	3	2	2
Rated voltage	250 V	500 V	500 V
Rated test voltage	4 kV	4 kV	4 kV

**Approvals**

 V / A	300 / 15
approval UL - File No.	E121004
	250 V / 4 kV / 10 A / 1.0 mm

**Material**

insulating material	PA
flammability class	V0
contact pin material	CuZnPb
contact pin surface	Ni + Ag
Glow-Wire Flammability GWFI	960 °C acc. to IEC 60695-2-12
Glow-Wire Flammability GWIT	775 °C acc. to IEC 60695-2-13

**Climatic Data**

upper limit temperature	105 °C
lower limit temperature	-40 °C

**general**

Tolerance	ISO 2768 -mH
Solderability	reflowable

**Application note**

**Data sheet**  
**PR01502VBHC Type 017**

Page 3/6

**P/N**  
**31017102**

2026/03/17  
Version: A

## Technical Data

This product is a standard product of METZ CONNECT. METZ CONNECT is not aware of the specific intended use of the goods by the Customer or any customers of the Customer. The Customer guarantees that it has fully and sufficiently tested the use of the goods and any product modifications, product changes or product enhancements with regard to the specific intended use in accordance with the state of the art or in any other way. At METZ CONNECT's request, the Customer shall submit and make available meaningful evidence (e.g. test and laboratory protocols, certifications, etc.).



Data sheet  
**PR01502VBHC Type 017**

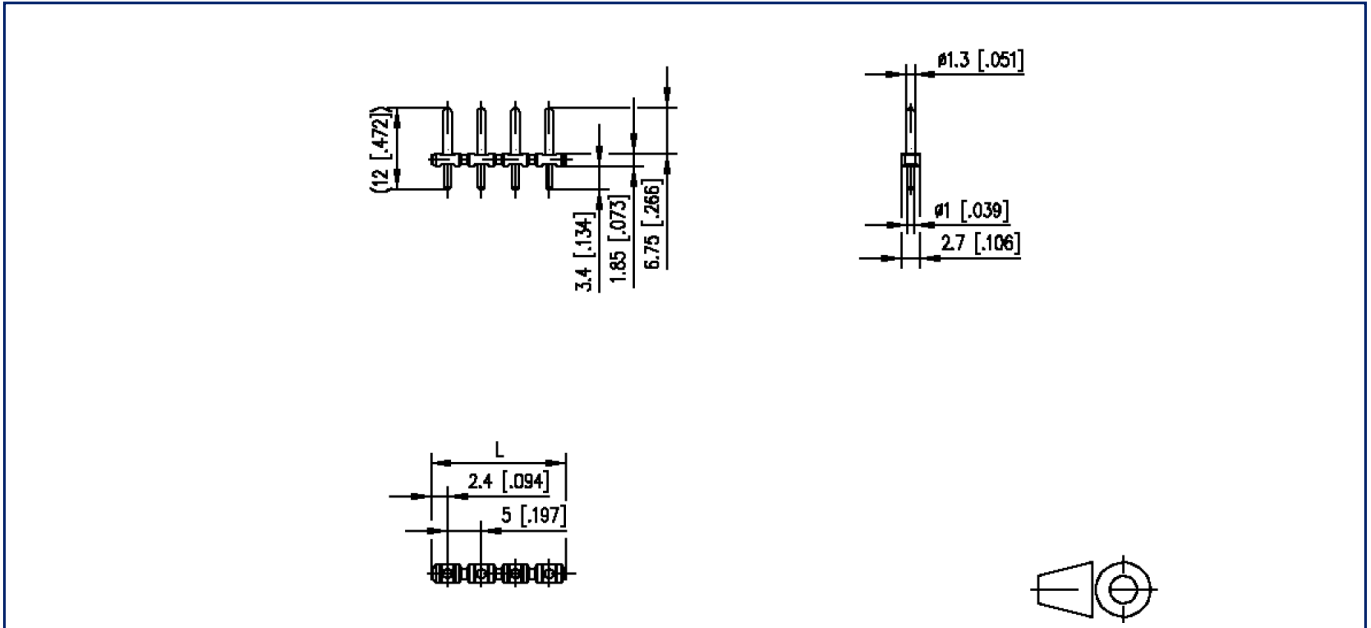
Page 4/6

P/N  
**31017102**2026/03/17  
Version: A**Counterpart of**

P/N	Designation
31007102	RP02502IBWC Typ 007
31107102	RP02502HBWC Type 107
709002	Tape_017_15.5_3pol_32mm CT2403 CL5 25B6 L14 W32 Tape_017_32mm
ASP0250204-001	SP02502HDNC ASP0250204-001

### Illustrations

Dimensional drawing as an example



$L = (\text{pole size} - 1) \times \text{centerline} + 4.8 \text{ mm} [0.189]$

## Illustrations

Drill pattern as an example



© 2026 METZ CONNECT - Technische Änderungen vorbehalten! Subject to modifications! Sous réserve de modifications techniques!

