

# Data sheet

## KRS-E08 HR3 24 V AC/DC

Page 1/6

P/N  
110665

EAN 4250184122951

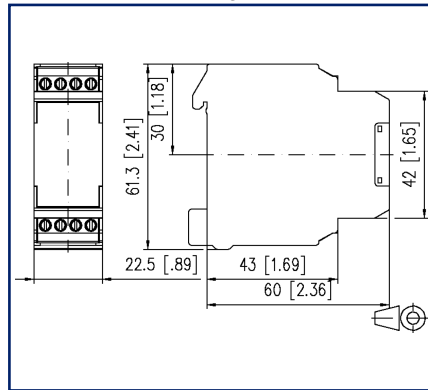
2025/08/18

Version: I

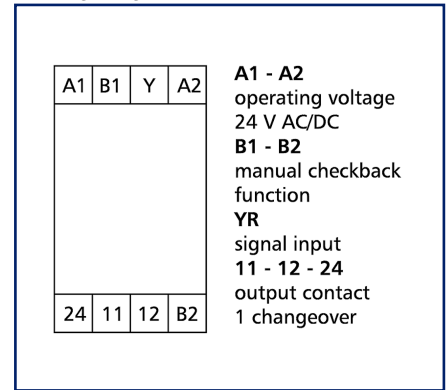
### Illustrations



Dimensional drawing



Wiring diagram



See enlarged drawings at the end of document

### Product specification

The threshold gate switches units, pumps, fans, burners, etc. As soon as the input voltage reaches the switching threshold, the relay is activated. When the input voltage falls below the switch-off threshold, the relay is released again. The module is designed for a two-level control by means of an analog 0 to 10 V DC control signal.

- Connection with screw type terminal blocks
- Control signal 0 V DC = Level 1 active
- Control signal 5 V DC = No level is active (OFF)
- Control signal 10 V DC = Level 2 active
- with manual control level



## Technical Data

Supply	
Operating voltage	24 V AC/DC -10% ... +10%
Power consumption AC (max.)	100 mA
Power consumption DC (max.)	35 mA
Duty cycle relative	100 %
Response time typical	20 ms
Release time typical	20 ms
Manual control level	
Mechanical life	3x10 <sup>4</sup> switchings
Switching capacity (max.)	24 V AC/DC / 1 A
Inputs	
Power consumption	
Power consumption at 10 V DC	1 mA
Outputs	
Contacts	1 changeover contact with 0 position
Contact material	AgSnO <sub>2</sub>
Switching voltage (max.)	250 V AC
Continuous Current	4 A
Switching frequency	1200 switching cycles/h
Breaking capacity (resistive load)	
Mechanical life	1x10 <sup>7</sup> switching cycles
Electrical life	1x10 <sup>5</sup> switching cycles
Indicator	Level 1: yellow LED, Level 2: green LED
Insulation coil - contact set	
Nominal voltage of the power supply system	230 / 400 V AC
Overvoltage category	III   II
Degree of pollution	2   2
Rated test voltage	4 kV   2.5 kV
Type of insulation	basic insulation   reinforced insulation

## Technical Data

<b>Housing</b>	
Dimensions	
Dimension (W x H x D)	22.5 mm x 61.3 mm x 60 mm
Dimension (W x H x D)	0.886 in. x 2.413 in. x 2.362 in.
Weight	70 g
Mounting style	Standard rail TH35
Mounting position	any
Apposition	without distance
Connection type	Screw type terminal blocks
<b>Terminal blocks</b>	
Wire cross section solid	0.34 mm <sup>2</sup> - 2.5 mm <sup>2</sup> / AWG 22-12
Wire cross section multi	0.25 mm <sup>2</sup> - 2.5 mm <sup>2</sup> / AWG 22-12
Wire cross section with wire ferrule	0.25 mm <sup>2</sup> - 2.5 mm <sup>2</sup> / AWG 22-12
Screw torque (max.)	0.5 Nm
Stripping length (min.)	8 mm
<b>Material</b>	
Material - Housing	Polyamid 6.6 V0
Color	gray
Material - Terminal block	Polyamid 6.6 V0
Material - Covers	Polyamid 6.6 V0
<b>Protection category according to IEC 60529</b>	
Protection category - housing (acc. to IEC 60529)	IP40
Protection category - terminal blocks (acc. to IEC 60529)	IP20
<b>Climatic Data</b>	
Operating	
Temperature - Operating °C	-10 °C - 50 °C
Temperature - Operating °F	14 °F - 122 °F
Relative humidity	max. 85 % non-condensing
Storage	
Temperature - Storage °C	-25 °C - 70 °C
Temperature - Storage °F	-13 °F - 158 °F

## Technical Data

### Power loss

Power loss (typical) 1.2 W

### Classifications

ETIM 7.0 EC001437

ETIM 8.0 EC001437

ETIM 9.0 EC001437

ETIM 10.0 EC001437

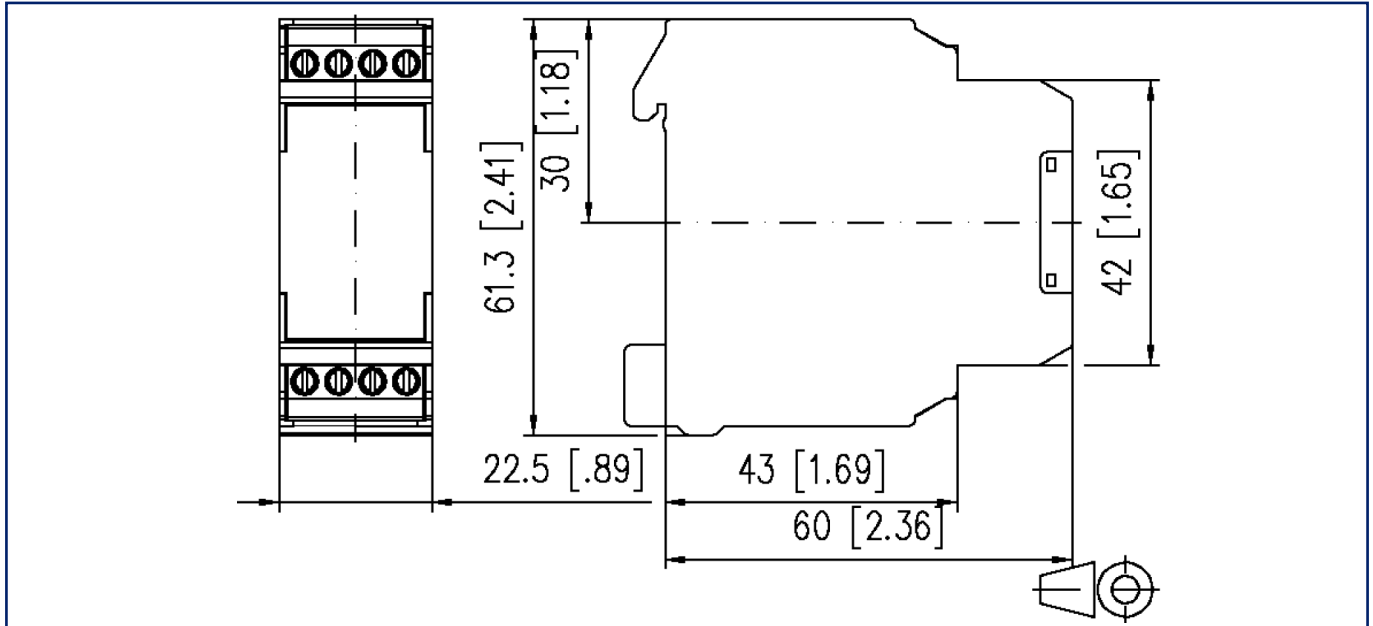
### Application note

This product is a standard product of METZ CONNECT. METZ CONNECT is not aware of the specific intended use of the goods by the Customer or any customers of the Customer. The Customer guarantees that it has fully and sufficiently tested the use of the goods and any product modifications, product changes or product enhancements with regard to the specific intended use in accordance with the state of the art or in any other way. At METZ CONNECT's request, the Customer shall submit and make available meaningful evidence (e.g. test and laboratory protocols, certifications, etc.).

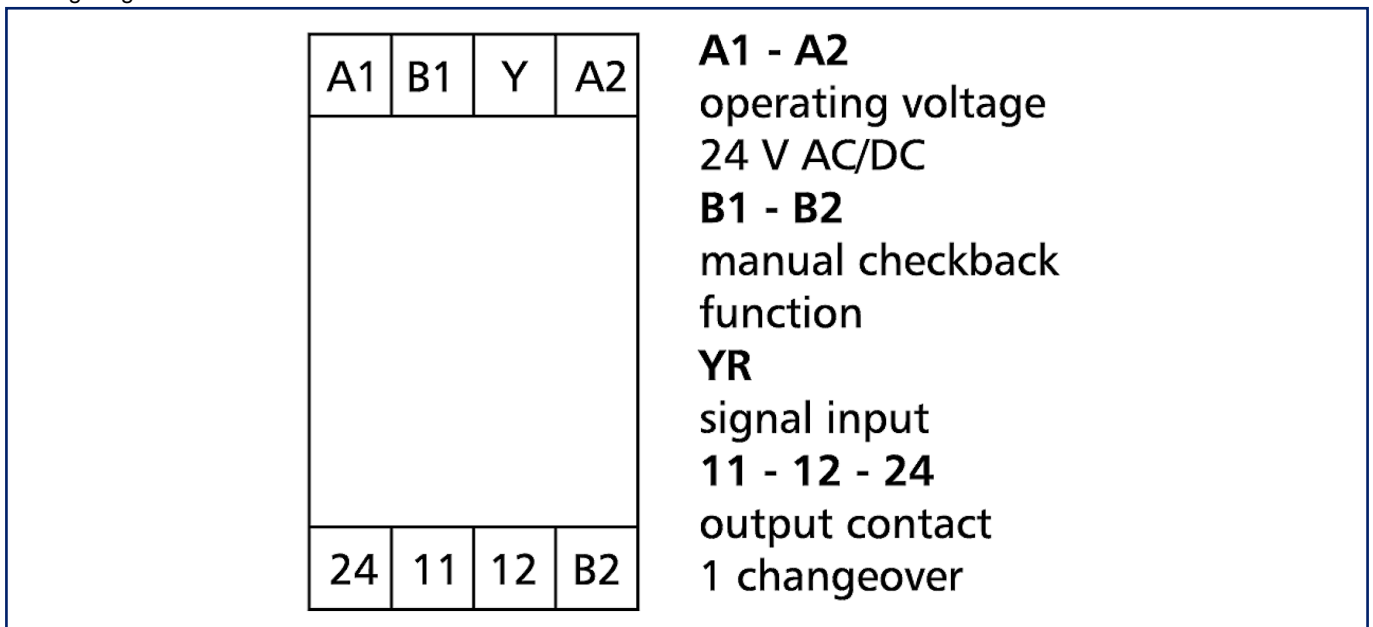


## Illustrations

### Dimensional drawing

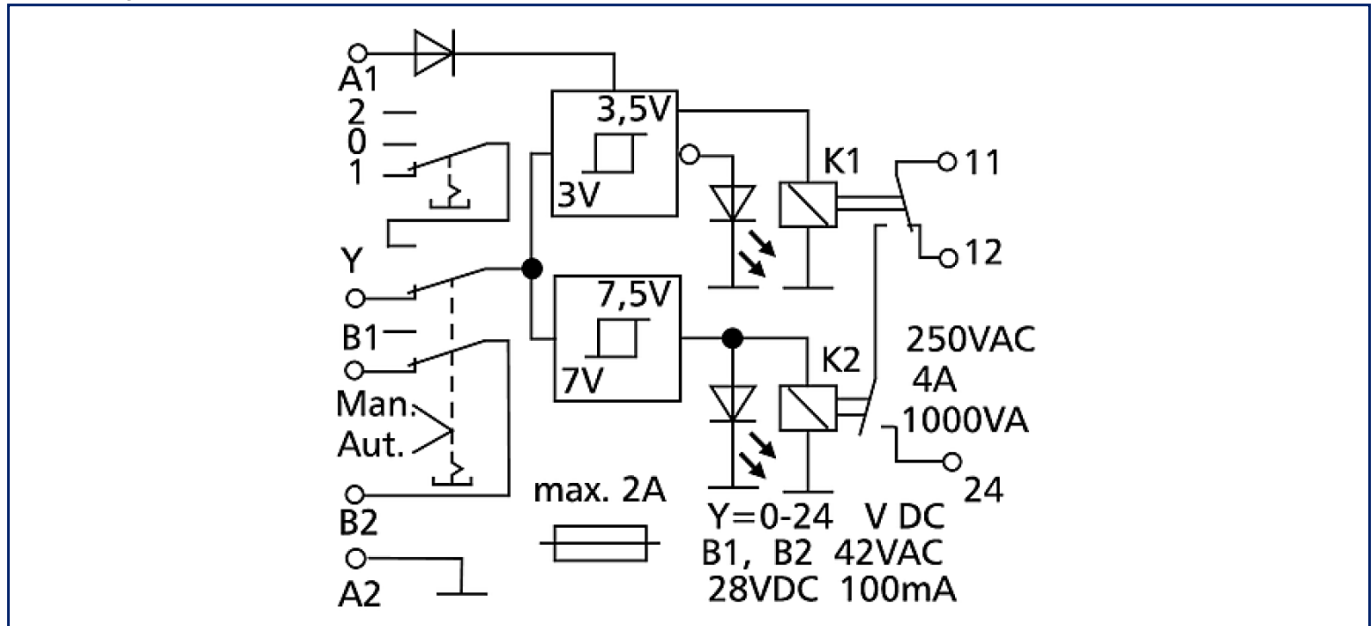


### Wiring diagram



**Illustrations**

Circuit diagram



Function diagram

