

Data sheet

OpDAT HP 6xSC-D OS2 Prefab, with lock

Page 1/4

P/N

150350E206-F

EAN 4251394602677

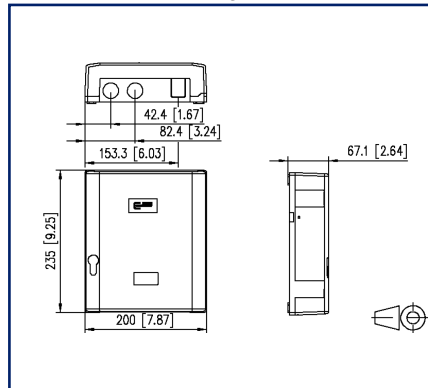
2025/07/24

Version: K

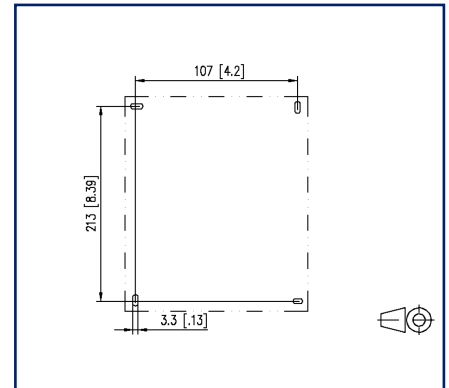
Illustrations



Dimensional drawing



Cut-out



See enlarged drawings at the end of document

Product specification

- Fiber optic splice and distributor housing to be used as building transition point
- Equipped with SC-D adapters
- Accepts max. 12 pigtailed or 2 Prefabs
- Cover locking by locking latch, can be sealed
- Cover can be very easily removed to facilitate mounting
- Splice tray for easy mounting and maintenance with a maximum of protection of the fibers with fiber transposition option and place to store fiber excess lengths
- Available with or without lock
- Strain relief for cables and patch cords
- With mounting and fastening option for gas and/or water blockers
- Patch cord output with flexible lamella seal
- Two cable entries for M20/25, one M20 cable gland included
- Fastening option for optical couplers
- Structured ASA (acrylic ester-styrene-acrylonitrile) in RAL 7035, extremely resistant plastic material, impact resistant and weatherproof
- Protection class according to IEC 60529: IP54
- Variants: equipped with up to 6 SC-D adapters each in blue (OS2) or SC-D APC adapters, each in green (OS2)



Data sheet

OpDAT HP 6xSC-D OS2 Prefab, with lock

P/N

150350E206-F

EAN 4251394602677

2025/07/24

Version: K

Technical Data

General Data

| | |
|-------------------------|--|
| Fields of application | structured building cabling office areas data center |
| IP protection classes | IP54 |
| Features variant | Prefab |
| Design | AP |
| Transmission technology | Fiber optic |
| Color housing | RAL 7035 - light gray |
| Adapter color | blue |
| Dimensions | |
| Dimension (L x W x H) | 67.1 mm x 200 mm x 235 mm |
| Dimension (L x W x H) | 2.642 in. x 7.874 in. x 9.252 in. |
| Weight | 1050 g |
| Weight | 2.3149 lb |
| Sealable | yes |
| Lockable | yes |

Connections/interfaces

| | |
|---------------------------------|------|
| Adapter type | SC-D |
| Adapter interface outside | SC-D |
| Adapter interface inside | SC-D |
| Number of adapters | 6 |
| Number of breakouts front panel | 6 |

Mechanical data

| | |
|----------------|----------------|
| Cut-out | SC-D/LC-Q/ST-D |
| Connector type | duplex |
| strain relief | yes |

Materials and material properties

| | |
|----------------------------|--------------------|
| Material - Sleeve | ceramic, slotted |
| Material - Coupler housing | Plastics |
| Material - Dust protection | PC (polycarbonate) |
| Halogen free | yes |

OpDAT HP 6xSC-D OS2 Prefab, with lock

P/N

150350E206-F

EAN 4251394602677

2025/07/24

Version: K

Technical Data

Materials and material properties

REACH compliant, 7439-92-1 – lead

Environmental conditions

Temperature (min. - max.)

Temperature - Storage °C -10 °C - 60 °C

Temperature - Storage °F 14 °F - 140 °F

Temperature - Operating °C -5 °C - 60 °C

Temperature - Operating °F 23 °F - 140 °F

Temperature - Installation °C -5 °C - 50 °C

Temperature - Installation °F 23 °F - 122 °F

Standards/Regulations

FO connector interfaces IEC 61754-4

Classifications

ETIM 7.0 EC001409

ETIM 8.0 EC001409

Packing details

Type of packaging 1 pc(s) / box

Application note

This product is a standard product of METZ CONNECT. METZ CONNECT is not aware of the specific intended use of the goods by the Customer or any customers of the Customer. The Customer guarantees that it has fully and sufficiently tested the use of the goods and any product modifications, product changes or product enhancements with regard to the specific intended use in accordance with the state of the art or in any other way. At METZ CONNECT's request, the Customer shall submit and make available meaningful evidence (e.g. test and laboratory protocols, certifications, etc.).

Data sheet

Page 4/4

OpDAT HP 6xSC-D OS2 Prefab, with lock

P/N

150350E206-F

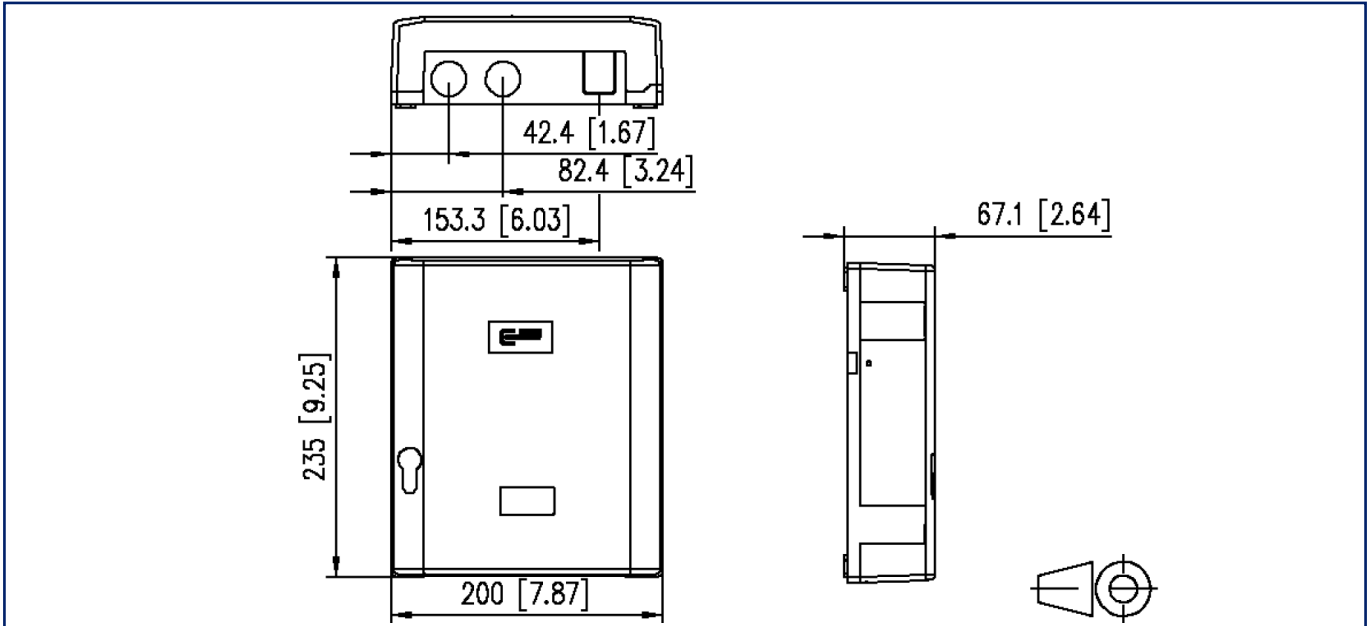
EAN 4251394602677

2025/07/24

Version: K

Illustrations

Dimensional drawing



Cut-out

