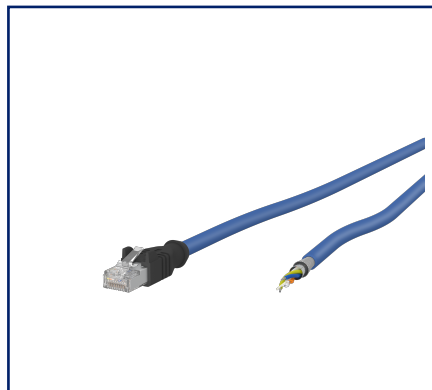


Data sheet

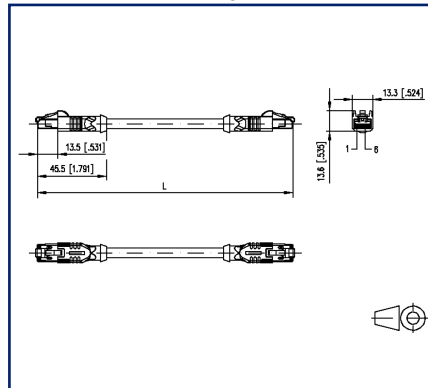
M12 Bus-/Railcat connection cable, D-coded, 2.0 m, RJ45 plug - free line end, 4-pole, BETAtrans®

P/N
142MPD50020
EAN 4251394664378
2025/07/01
Version: D

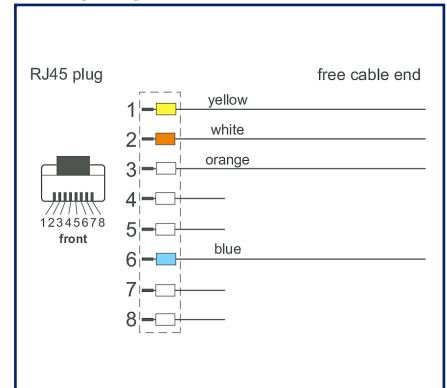
Illustrations



Dimensional drawing



Wiring diagram



See enlarged drawings at the end of document

Product specification

Halogen-free, electron beam crosslinked Cat.5 data wire with improved behavior under fire conditions and increased temperature resistance. This wire is used in fixed and protected installation in railway vehicles and buses and meets the fire protection requirement according to EN 45545-2 (HL1 - HL3). It is optimally suited for applications of class D (ECN and ETB) according to IEEE 802.3. For installation, the notes according to EN 50355 and EN 50343 must be observed. Because of the thin wall thickness, this wire is especially useful for connecting the overmolded RJ45 connectors. BETAtrans® is a registered trademark of LEONI Studer AG, Switzerland. Special properties: flame retardant, LABS free, RoHs compliant, halogen free, increased thermal load capacity, low smoke emission, oil and fuel resistant, UN ECE-R 118.01 Fire protection: DIN EN 45545-2 HL1-3, DIN 5510 fire protection levels 1-4, NF F16-101 category A1, A2, B, UNI CEI 11170, danger level LR1-LR4, UN ECE-R 118.01

- Standard variants: 1.0 m, 2.0 m, 5.0 m, 10.0 m.
- Other cable lengths on request.

Data sheet

M12 Bus-/Railcat connection cable, D-coded, 2.0 m, RJ45 plug - free line end, 4-pole, BETAtrans[®]

P/N

142MPD50020

EAN 4251394664378

2025/07/01

Version: D

Technical Data

General Data

Fields of application	Railway vehicle Buses
Applications	Train Communication Network: ETB– Ethernet Train Backbone
Design	Ethernet-Connection cable
Cable length (m)	2 m
Cable length (ft)	6.56 ft
Cable	
Cable Type	S/FTP
Wiring	Profinet
Wire color	yellow, white, orange, blue
Color - cable jacket	blue
Transmission properties	Cat.5
Connection 1	
Shielding	shielded
Dimension (L x W)	45.5 mm x 13.8 mm
Dimension (L x W)	1.791 in. x 0.543 in.

Connections/interfaces

Cable	
Conductor cross section AWG	AWG 22
Conductor diameter (mm)	0.75 mm
Conductor diameter (inch)	0.03 in.
Cable construction	1x4
Stranded wire structure	7x0.25mm
Outer diameter cable jacket (mm)	6.6 mm
Outer diameter cable jacket (inch)	0.26 in.
Connection 1	
Connector type	RJ45 plug
Coding	Industrial
Type of plug contact, field side	Male (plug)
Cable feed arrangement, field side	straight
Number of poles	4
Pin Assignment	1YE, 2OG, 3 WH , 6 BU

Data sheet

Page 3/8

**M12 Bus-/Railcat connection cable, D-coded, 2.0 m,
RJ45 plug - free line end, 4-pole, BETAtrans[®]**

P/N

142MPD50020

EAN 4251394664378

2025/07/01

Version: D

Technical Data

Connections/interfaces

Connection 1

Latching lever protection	yes
Color of the cable boot	black

Electrical characteristics

Connection 1

Current carrying capacity per pin (at 40 °C)	1 A
--	-----

Mechanical data

Cable

Bending radius (fixed)	6 x Ø cable
------------------------	-------------

Connection 1

Mechanical life	min. 750 mating cycles
-----------------	------------------------

Materials and material properties

Cable

Material - Cable jacket	BETAtrans [®] Polyolefin Copolymer
Material - Wire insulation	BETAtrans [®] Cell PE
Flame retardancy	yes, according to IEC 60332-1-2
Halogen free	yes, according to EN 60754-1/2
Oil resistance	yes, according to EN IEC 60811-404
UV-resistance	yes

Connection 1

Material - Contact	CuZnPb (brass)
Material - Contact surface	Au (gold)
Material - Contact carrier	Plastics, TPE, BK
Material - Shielded housing	Metal, CuZn, nickel-plated

RoHS	compliant
------	-----------

© 2025 METZ CONNECT - Technische Änderungen vorbehalten! Subject to modifications! Sous réserve de modifications techniques!

Data sheet

Page 4/8

**M12 Bus-/Railcat connection cable, D-coded, 2.0 m,
RJ45 plug - free line end, 4-pole, BETAtrans[®]**

P/N

142MPD50020

EAN 4251394664378

2025/07/01

Version: D

Technical Data

Environmental conditions

Cable

Temperature range (fixed) -40 °C - max. 85 °C

Temperature range (fixed) -40 °F - 185 °F

Connection 1

-40 °C

-40 °F

Protection category (mounted) IP20

Operating temperature classes OT1 - OT4

Operating temperature range -40 to 70

Standards/Regulations

General requirements ISO/IEC 11801-1 | DIN EN 50173-1

Cable

Railway vehicle - Electronic equipment on railway vehicles DIN EN 50155:2021

Railway vehicle - Fire protection in railway vehicles DIN EN 45545-2:2020 Hazard Level 1-3

Railway vehicle - Preventive fire protection in railway vehicles DIN 5510-2:2009-05 Fire protection levels 1-4

Railway vehicle - Fire behaviour Material selection UNI CEI 11170-1/2/3 Hazard level LR1-LR4

Buses - Fire safety UN ECE-R 118.01

Connection 1

Free and fixed connectors IEC 60603-7-5:2011

Shock and vibration Class 1, category B (DIN EN 61373)

Classifications

ETIM 8.0 EC002599

ETIM 9.0 EC002599

ETIM 10.0 EC002599

Packing details

Type of packaging 1 pc(s) / plastic bag

Data sheet

Page 5/8

**M12 Bus-/Railcat connection cable, D-coded, 2.0 m,
RJ45 plug - free line end, 4-pole, BETAtrans[®]**

P/N

142MPD50020

EAN 4251394664378

2025/07/01

Version: D

Technical Data

Application note

This product is a standard product of METZ CONNECT. METZ CONNECT is not aware of the specific intended use of the goods by the Customer or any customers of the Customer. The Customer guarantees that it has fully and sufficiently tested the use of the goods and any product modifications, product changes or product enhancements with regard to the specific intended use in accordance with the state of the art or in any other way. At METZ CONNECT's request, the Customer shall submit and make available meaningful evidence (e.g. test and laboratory protocols, certifications, etc.).



Data sheet

Page 6/8

**M12 Bus-/Railcat connection cable, D-coded, 2.0 m,
RJ45 plug - free line end, 4-pole, BETAtrans[®]**

P/N

142MPD50020

EAN 4251394664378

2025/07/01

Version: D

Accessories

P/N	Designation
MMF881A115	M12 jack, D-coded, IP67, Cat.5, Ø 6-9.7 mm, field assembly, straight
MMF881A115-0001	M12 jack, D-coded, IP67, Cat.5, Ø 6-9.7 mm, field assembly, with flange
MNF881A115	M12 plug, D-coded, IP67, Cat.5, Ø 6-9.7 mm, field assembly, straight
MWN811A115	M12 Panel feed through adapters, D-coded, to RJ45 - straight

Data sheet

Page 7/8

**M12 Bus-/Railcat connection cable, D-coded, 2.0 m,
RJ45 plug - free line end, 4-pole, BETAtrans[®]**

P/N

142MPD50020

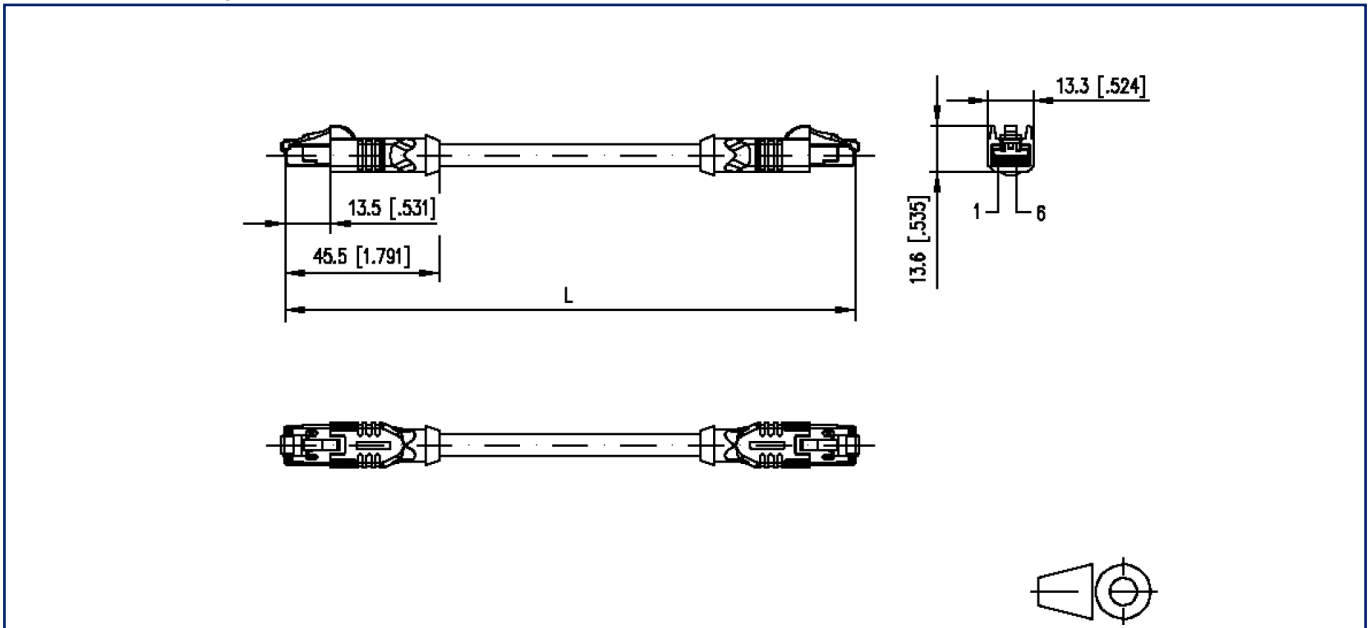
EAN 4251394664378

2025/07/01

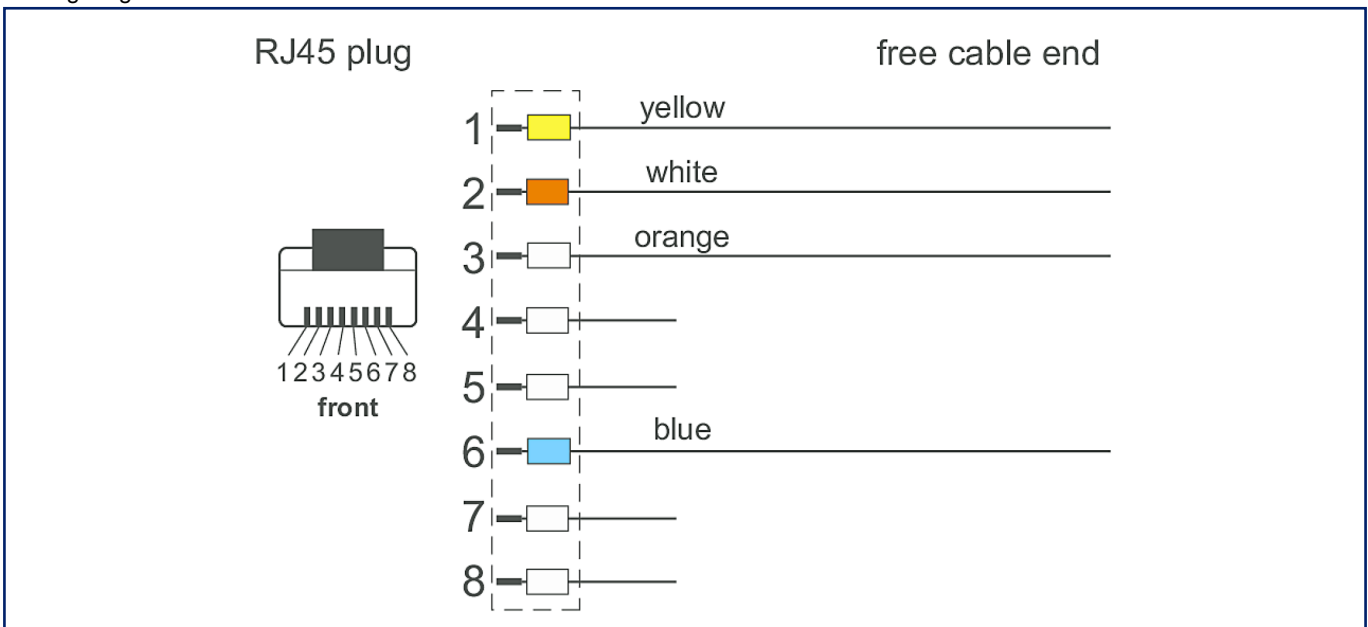
Version: D

Illustrations

Dimensional drawing



Wiring diagram



Data sheet

Page 8/8

**M12 Bus-/Railcat connection cable, D-coded, 2.0 m,
RJ45 plug - free line end, 4-pole, BETrans®**

P/N

142MPD50020

EAN 4251394664378

2025/07/01

Version: D

Illustrations

Principle diagram

