

Data sheet

M12 Bus-/Railcat connection line, D-coded, 5.0 m, M12 jack - RJ45 plug, 4-pole, BETAtrans®

Page 1/9

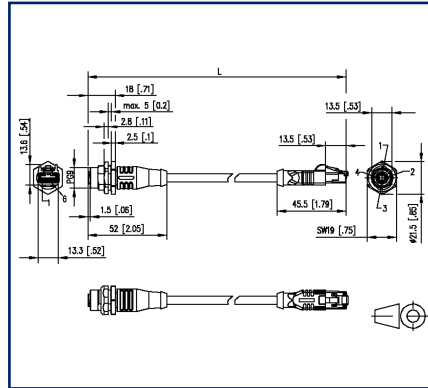
P/N
142MPD25050
EAN 4251394664187
2025/06/30
Version: D

Illustrations

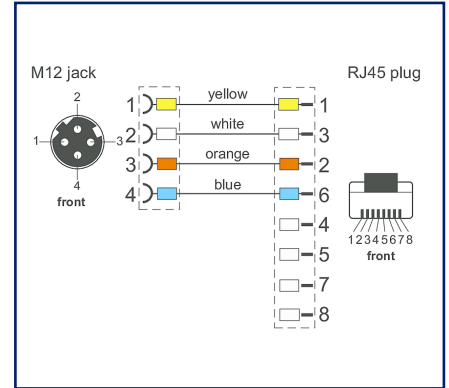
TITEL



Dimensional drawing



Wiring diagram



See enlarged drawings at the end of document

Product specification

Halogen-free, electron beam crosslinked Cat.5 data wire with improved behavior under fire conditions and increased temperature resistance. This wire is used in fixed and protected installation in railway vehicles and buses and meets the fire protection requirement according to EN 45545-2 (HL1 - HL3). It is optimally suited for applications of class D (ECN and ETB) according to IEEE 802.3. For installation, the notes according to EN 50355 and EN 50343 must be observed. Because of the thin wall thickness, this wire is especially useful for connecting the overmolded RJ45 connectors. BETAtrans® is a registered trademark of LEONI Studer AG, Switzerland. Special properties: flame retardant, LABS free, RoHs compliant, halogen free, increased thermal load capacity, low smoke emission, oil and fuel resistant, UN ECE-R 118.01 Fire protection: DIN EN 45545-2 HL1-3, DIN 5510 fire protection levels 1-4, NF F16-101 category A1, A2, B, UNI CEI 11170, danger level LR1-LR4, UN ECE-R 118.01

- Standard variants: 1.0 m, 2.0 m, 5.0 m, 10.0 m.
- Other cable lengths on request.



Data sheet

**M12 Bus-/Railcat connection line, D-coded, 5.0 m,
M12 jack - RJ45 plug, 4-pole, BETrans®**

P/N
142MPD25050
EAN 4251394664187
2025/06/30
Version: D

Technical Data

General Data

| | |
|-------------------------|---|
| Fields of application | Railway vehicle Buses |
| Applications | Train Communication Network: ETB– Ethernet Train Backbone |
| Design | Ethernet-Connection line |
| Cable length (m) | 5 m |
| Cable length (ft) | 16.4 ft |
| Cable | |
| Cable Type | S/FTP |
| Wiring | Profinet |
| Wire color | yellow, white, orange, blue |
| Color - cable jacket | blue |
| Transmission properties | Cat.5 |
| Connection 1 | |
| Shielding | shielded |
| Dimension (L x W x H) | 52 mm x 20 mm x 20 mm |
| Dimension (L x W x H) | 2.047 in. x 0.787 in. x 0.787 in. |
| Connection 2 | |
| Shielding | shielded |
| Dimension (L x W) | 45.5 mm x 13.8 mm |
| Dimension (L x W) | 1.791 in. x 0.543 in. |

Connections/interfaces

| | |
|------------------------------------|----------|
| Cable | |
| Conductor cross section AWG | AWG 22 |
| Conductor diameter (mm) | 0.75 mm |
| Conductor diameter (inch) | 0.03 in. |
| Cable construction | 1x4 |
| Stranded wire structure | 7x0.25mm |
| Outer diameter cable jacket (mm) | 6.6 mm |
| Outer diameter cable jacket (inch) | 0.26 in. |
| Connection 1 | |
| Connector type | M12-jack |
| Coding | D-coded |

Data sheet

**M12 Bus-/Railcat connection line, D-coded, 5.0 m,
M12 jack - RJ45 plug, 4-pole, BETAtrans®**

P/N
142MPD25050
EAN 4251394664187
2025/06/30
Version: D

Technical Data

Connections/interfaces

Connection 1

| | |
|------------------------------------|------------------------|
| Type of plug contact, field side | Female (bus) |
| Cable feed arrangement, field side | straight |
| Number of poles | 4 |
| Pin Assignment | 1 YE, 2 WH, 3 OG, 4 BU |
| Latching lever protection | no |
| Color of the cable boot | black |

Connection 2

| | |
|------------------------------------|-----------------------|
| Connector type | RJ45 plug |
| Coding | Industrial |
| Type of plug contact, field side | Male (plug) |
| Cable feed arrangement, field side | straight |
| Number of poles | 4 |
| Pin Assignment | 1YE, 2OG, 3 WH , 6 BU |
| Latching lever protection | yes |
| Color of the cable boot | black |

Electrical characteristics

Connection 1

| | |
|--|-----|
| Current carrying capacity per pin (at 40 °C) | 4 A |
|--|-----|

Connection 2

| | |
|--|-----|
| Current carrying capacity per pin (at 40 °C) | 1 A |
|--|-----|

Mechanical data

Cable

| | |
|------------------------|-------------|
| Bending radius (fixed) | 6 x Ø cable |
|------------------------|-------------|

Connection 1

| | |
|-----------------|------------------------|
| Mechanical life | min. 100 mating cycles |
|-----------------|------------------------|

Connection 2

| | |
|-----------------|------------------------|
| Mechanical life | min. 750 mating cycles |
|-----------------|------------------------|

Data sheet

Page 4/9

**M12 Bus-/Railcat connection line, D-coded, 5.0 m,
M12 jack - RJ45 plug, 4-pole, BETAtrans®**

P/N

142MPD25050

EAN 4251394664187

2025/06/30

Version: D

Technical Data

Materials and material properties

Cable

| | |
|----------------------------|------------------------------------|
| Material - Cable jacket | BETAtrans® Polyolefin Copolymer |
| Material - Wire insulation | BETAtrans® Cell PE |
| Flame retardancy | yes, according to IEC 60332-1-2 |
| Halogen free | yes, according to EN 60754-1/2 |
| Oil resistance | yes, according to EN IEC 60811-404 |
| UV-resistance | yes |

Connection 1

| | |
|----------------------------|----------------------------|
| Material - Contact | CuZnPb (brass) |
| Material - Contact surface | Au (gold) |
| Material - Contact carrier | Plastics, PA, BK |
| Material - Body | Plastics, TPU, BK |
| Material - Flange housings | Metal, CuZn, nickel-plated |
| Material - Sealing (jack) | FPM/FKM |
| Material - Outer sealing | NBR |

Connection 2

| | |
|-----------------------------|----------------------------|
| Material - Contact | CuZnPb (brass) |
| Material - Contact surface | Au (gold) |
| Material - Contact carrier | Plastics, TPE, BK |
| Material - Shielded housing | Metal, CuZn, nickel-plated |

RoHS

compliant

Environmental conditions

Cable

| | |
|---------------------------|---------------------|
| Temperature range (fixed) | -40 °C - max. 85 °C |
| Temperature range (fixed) | -40 °F - 185 °F |

Connection 1

| | |
|-------------------------------|--|
| | -40 °C |
| | -40 °F |
| Protection category (mounted) | IP67 (-30 °C...+90 °C), IP65 (-40 °C...+90 °C) |

Data sheet

**M12 Bus-/Railcat connection line, D-coded, 5.0 m,
M12 jack - RJ45 plug, 4-pole, BETrans[®]**

P/N

142MPD25050

EAN 4251394664187

2025/06/30

Version: D

Technical Data

Environmental conditions

Connection 2

| | |
|-------------------------------|-----------|
| Protection category (mounted) | IP20 |
| Operating temperature classes | OT1 - OT4 |
| Operating temperature range | -40 to 70 |

Standards/Regulations

| | |
|--|---|
| General requirements | ISO/IEC 11801-1 DIN EN 50173-1 |
| Cable | |
| Railway vehicle - Electronic equipment on railway vehicles | DIN EN 50155:2021 |
| Railway vehicle - Fire protection in railway vehicles | DIN EN 45545-2:2020 Hazard Level 1-3 |
| Railway vehicle - Preventive fire protection in railway vehicles | DIN 5510-2:2009-05 Fire protection levels 1-4 |
| Railway vehicle - Fire behaviour Material selection | UNI CEI 11170-1/2/3 Hazard level LR1-LR4 |
| Buses - Fire safety | UN ECE-R 118.01 |

Connection 1

| | |
|--|--------------------------------------|
| Circular connector | DIN EN 61076-2-101:2013 |
| Shock and vibration | Class 1, category B (DIN EN 61373) |
| Degrees of Protection Provided by Enclosures | EN 60529:1991 + A1:2000 + A2:2013 |
| Railway vehicle - Electronic equipment on railway vehicles | DIN EN 50155:2021 |
| Railway vehicle - Fire protection in railway vehicles | DIN EN 45545-2:2020 Hazard Level 1-3 |

Connection 2

| | |
|---------------------------|------------------------------------|
| Free and fixed connectors | IEC 60603-7-5:2011 |
| Shock and vibration | Class 1, category B (DIN EN 61373) |

Classifications

| | |
|-----------|----------|
| ETIM 8.0 | EC002599 |
| ETIM 9.0 | EC002599 |
| ETIM 10.0 | EC002599 |

Data sheet

Page 6/9

**M12 Bus-/Railcat connection line, D-coded, 5.0 m,
M12 jack - RJ45 plug, 4-pole, BETAtrans[®]**

P/N

142MPD25050

EAN 4251394664187

2025/06/30

Version: D

Technical Data

Packing details

| | |
|-------------------|-----------------------|
| Type of packaging | 1 pc(s) / plastic bag |
|-------------------|-----------------------|

Application note

This product is a standard product of METZ CONNECT. METZ CONNECT is not aware of the specific intended use of the goods by the Customer or any customers of the Customer. The Customer guarantees that it has fully and sufficiently tested the use of the goods and any product modifications, product changes or product enhancements with regard to the specific intended use in accordance with the state of the art or in any other way. At METZ CONNECT's request, the Customer shall submit and make available meaningful evidence (e.g. test and laboratory protocols, certifications, etc.).



Data sheet

Page 7/9

**M12 Bus-/Railcat connection line, D-coded, 5.0 m,
M12 jack - RJ45 plug, 4-pole, BETAtrans[®]**

P/N

142MPD25050

EAN 4251394664187

2025/06/30

Version: D

Accessories

| P/N | Designation |
|-----------------|---|
| MMF881A115 | M12 jack, D-coded, IP67, Cat.5, Ø 6-9.7 mm, field assembly, straight |
| MMF881A115-0001 | M12 jack, D-coded, IP67, Cat.5, Ø 6-9.7 mm, field assembly, with flange |
| MNF881A115 | M12 plug, D-coded, IP67, Cat.5, Ø 6-9.7 mm, field assembly, straight |
| MWN811A115 | M12 Panel feed through adapters, D-coded, to RJ45 - straight |



Data sheet

Page 8/9

**M12 Bus-/Railcat connection line, D-coded, 5.0 m,
M12 jack - RJ45 plug, 4-pole, BETAtrans®**

P/N

142MPD25050

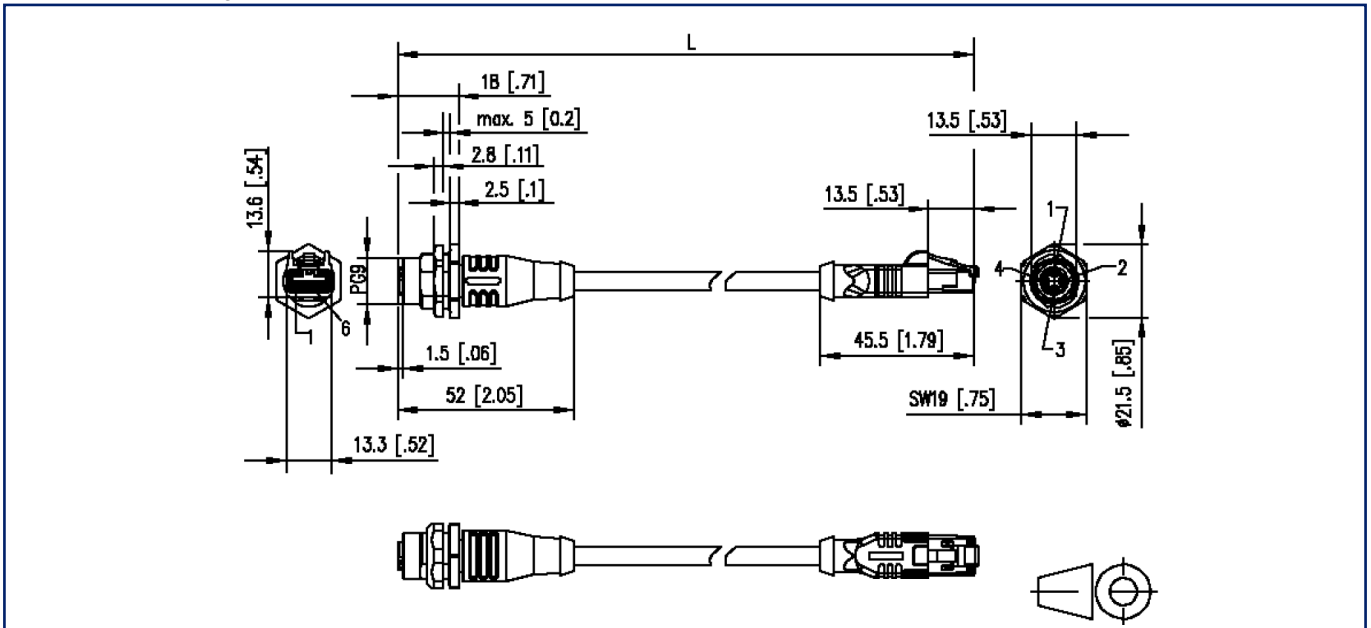
EAN 4251394664187

2025/06/30

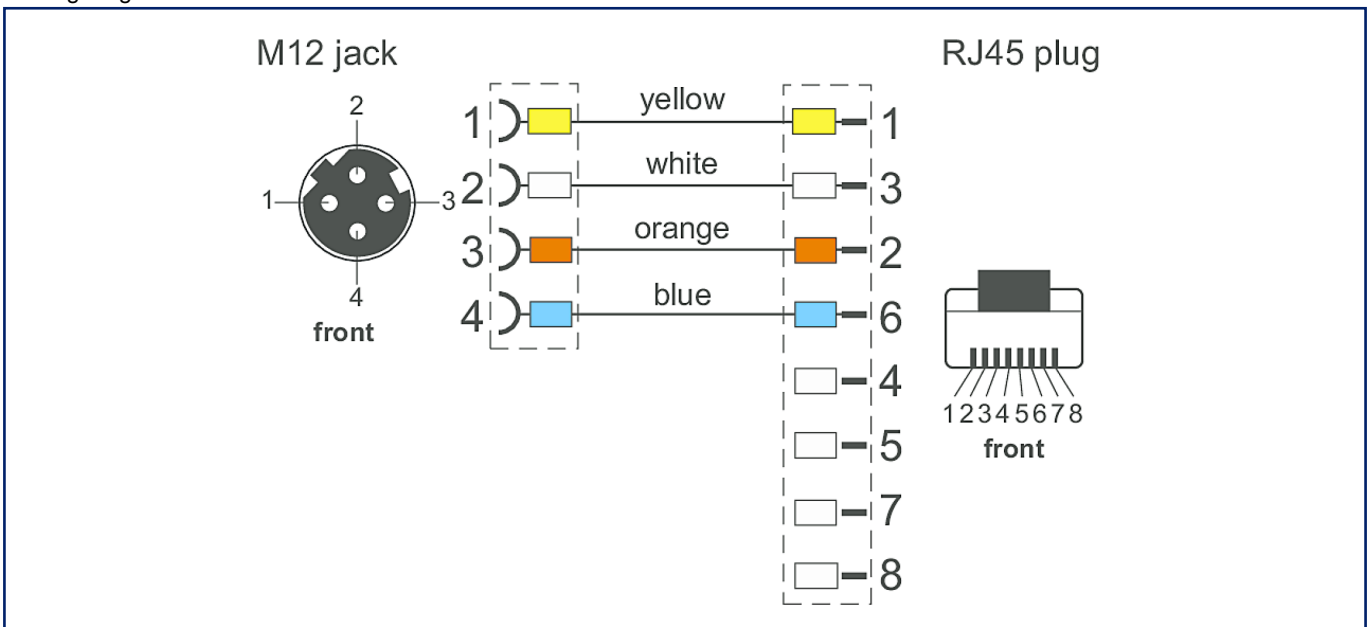
Version: D

Illustrations

Dimensional drawing



Wiring diagram



Data sheet

Page 9/9

**M12 Bus-/Railcat connection line, D-coded, 5.0 m,
M12 jack - RJ45 plug, 4-pole, BETrans®**

P/N

142MPD25050

EAN 4251394664187

2025/06/30

Version: D

Illustrations

Principle diagram

