

Data sheet

REGplus IP20 FF C6_Amodul 180°K

Page 1/9

P/N

130B218003-E

EAN 4251394686400

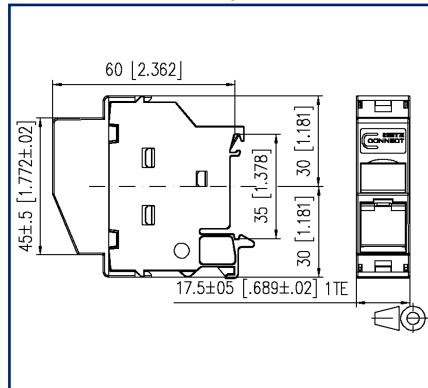
2026/02/19

Version: C

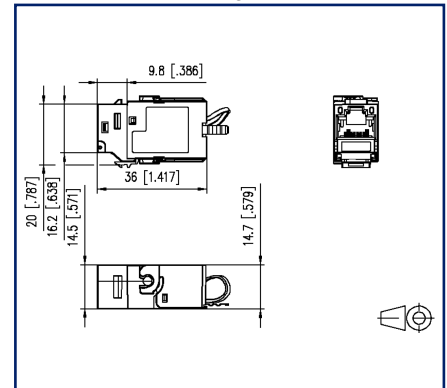
Illustrations



Dimensional drawing



Dimensional drawing



See enlarged drawings at the end of document

Product specification

- termination unit for mounting on TH35 rails to DIN EN 60715 in electrical distribution panels for home and industrial installations
- new METZ CONNECT FF technology, packaged without plastic foil (Easy Installation technology - foil free)
- equipped with one C6_Amodul 180° K RJ45 individual module
- cable feed 45° from the top, plug direction 45° downwards
- certified to GHMT Cat.6_A re-embedded PVP
- Cat.6_A component test according to ISO/IEC 11801, DIN EN 50173-1, ANSI/TIA-568.2-D and IEC 60603-7-51, GHMT certified
- compliance with class E_A up to 500 MHz according to ISO/IEC 11801, DIN EN 50173-1
- tested: component up to 600 MHz, link up to 800 MHz
- suitable for 10 GBit Ethernet (IEEE 802.3an), Remote Powering (PoE, PoE plus, UPoE and 4PPoE) and HDBaseT, SAT-IP, AVoverIP
- easy to install connection of data lines AWG 26/1 to 22/1 (solid wire) and AWG 26/7 to 22/7 (stranded wire) to insulation displacement connectors (IDC)
- conductor assignment to T568A and T568B is directly printed on the stuffer cap
- Special tool-free migration to 25G systems
- width of 1HP allows mounting up to 12 REG plus in standard electrical distribution panels
- when mounted as a device of protection class I, the equipotential bonding is realized directly over the top hat rail by means of an integrated equipotential plate. This has to be connected to the equipotential bonding of the building by means of a bonding terminal
- A cover protects the module against direct contact. If mounted in distributor panels with protective insulation, protection class II is guaranteed. In this case, it is necessary to remove the equipotential bonding spring.
- integrated dust protection cover (also colored)



REGplus IP20 FF C6_Amodul 180°K

P/N

130B218003-E

EAN 4251394686400

2026/02/19

Version: C

Technical Data

General Data

Fields of application	office areas
Mechanical measurement according to MICE	M1
Ingress measurement according to MICE	I1
Climatic measurement according to MICE	C1
Electromagnetic measurement according to MICE	E2
Design	wall outlet
Mounting style	Standard rail TH35
Shielding	shielded
Transmission technology	Copper
Color	light gray
Dimensions	
Dimension (L x W x H)	60 mm x 17.5 mm x 60 mm
Dimension (L x W x H)	2.362 in. x 0.689 in. x 2.362 in.
Labeling option	label window with identification label
Marking option	by dust protection

Transmission characteristics

Category (ISO)	6 _A
Class (ISO/IEC)	E _A
Category (TIA)	6 _A
Remote Powering	yes
PoE	IEEE 802.3af
PoE plus	IEEE 802.3at
UPoE	yes
4PPoE	IEEE 802.3bt
HDBaseT	yes
SAT-IP	yes
AVoverIP	yes
Transmission rate up to 100 MBit (Fast Ethernet)	IEEE 802.3bw
Transmission rate up to 1 GBit (Fast Ethernet)	IEEE 902.3ab
Transmission rate up to 10 GBit	IEEE 802.3an



Technical Data

Connections/interfaces	
Connector technology interface 1	IDC-connection
Connector technology interface 2	RJ45-jack
Number of ports interface 2	1
Number of ports interface 2 equipped	1
Number of positions/contacts interface 1	8
Number of positions/contacts interface 2	8P/8C
Termination data, solid wire (min. - max.)	
Conductor cross section, solid wire	AWG 26/1 - AWG 22/1
Conductor cross section, solid wire	0.128 mm ² - 0.324 mm ²
Conductor diameter, solid wire (bare copper)	0.409 mm - 0.643 mm
Conductor diameter, solid wire (bare copper)	0.016 in. - 0.025 in.
Termination data, stranded wire (min. - max.)	
Conductor cross section, stranded wire	AWG 26/7 - AWG 22/7
Conductor cross section, stranded wire	0.141 mm ² - 0.355 mm ²
Conductor diameter, stranded wire (bare copper)	0.483 mm - 0.762 mm
Conductor diameter, stranded wire (bare copper)	0.019 in. - 0.03 in.
Core diameter (min. - max.)	
Core diameter (conductor with insulation)	1 mm - 1.6 mm
Core diameter (conductor with insulation)	0.039 in. - 0.063 in.
Cable sheath diameter (min. - max.)	
Cable sheath diameter	5.5 mm - 10
Electrical/ optical properties	
Current carrying capacity	max. 1 A at 60 °C
Rated voltage	max. 60 V DC
Rated voltage UL	max. 56.5 V DC
Contact resistance	max. 20 mOhm
Insulation resistance	min. 500 MOhm
Dielectric strength conductor-conductor (secondary)	min. 1000 V DC

Data sheet

REGplus IP20 FF C6_Amodul 180°K

P/N

130B218003-E

EAN 4251394686400

2026/02/19

Version: C

Technical Data

Mechanical data

Insertion and withdrawal force	max. 30 N
Life - Number of mating cycles	min. 1000
Position/mounting of latch standard installation position	top
strain relief	latching clip

Materials and material properties

Material - Housing	GD-Zn
Material - Cover part(s)	PA66
Material - Lower housing	PA66
Material - Label window	ABS, transparent
Material - Dust protection	ABS
Material - Contact	FeNiCo
Material - Contact finish	Au (gold)
Material - Stuffer cap	PA 6.6 UL94 V0
Material - Finish	Ni (nickel)
Material - Ground connection	CuSn4
Material - Strain relief	PA 6.6 UL94 V0
RoHS	compliant

Environmental conditions

Temperature (min. - max.)	
Temperature - Storage °C	-40 °C - 70 °C
Temperature - Storage °F	-40 °F - 158 °F
Temperature - Operating °C	-40 °C - 70 °C
Temperature - Operating °F	-40 °F - 158 °F
Particulate ingress	IP2X
Liquid ingress/immersion	IPX0
Rapid change of temperature	-40°C / -40°F - +70°C / 158°F / 25 cycles t=30 min

Data sheet
REGplus IP20 FF C6_A modul 180°K

Page 5/9

P/N
130B218003-E
EAN 4251394686400
 2026/02/19
 Version: C

Technical Data

Certifications

GHMT PVP yes

Approvals

UL listed (file no.) DUXR.E178484

Standards/Regulations

Generic cabling systems

General requirements ISO/IEC 11801-1:2017-11 | DIN EN 50173-1:2018-10
ANSI/TIA-568.2-D

Connectors for electronic equipment

Free and fixed connectors DIN EN 60603-7-51:2011-01

Connectors for electronic equipment - Tests and measurements

Test standard for connectors (engaging and separating connectors under electrical load) DIN-EN 60512-99-001, DIN-EN 60512-99-002

Endurance tests IEC 60512-9-3: 03-2009

Classifications

ETIM 7.0 EC001024

ETIM 8.0 EC001024

ETIM 9.0 EC001024

ETIM 10.0 EC001024

Packing details

Type of packaging 20 pc(s) / box

REGplus IP20 FF C6_Amodul 180°K

P/N

130B218003-E

EAN 4251394686400

2026/02/19

Version: C

Accessories

P/N	Designation
130898-00-I	BLIND module light gray
130898-00-RW-I	BLIND module pure white
130898-01-I	COAX modul F jack / F jack
130898-02-I	COAX modul IEC jack / F jack
130898-03-I	COAX modul IEC plug / F jack
130908-I-B1	UAE modul Cat.5e white
130909-I	UAE modul Cat.6 jack white
130910-DNV	E-DAT modul Cat.6 _A 8(8) jack DNV
130910-I	E-DAT modul Cat.6 _A 8(8) jack
130910-Z	E-DAT modul Cat.6 _A 8(8) jack, (12 pcs)
1309A0-I	E-DAT modul coupler 8(8) 180° class E _A
1309A1-I	E-DAT modul coupler 8(8) 90° class E _A
130A11-29-I	UAE modul 8(8) Cat.6 _A black
130A11-I	UAE modul 8(8) Cat.6 _A white
130B11-25-E	25Gmodul
130B11-25-Z	25Gmodul (12 pcs)
130B11-DNV	C6 _A modul 180° jack DNV
130B11-E	C6 _A modul 180° jack
130B11-Z	C6 _A modul 180° jack (12 pcs)
130B12-DNV	C6 _A modul 270° jack DNV
130B12-E	C6 _A modul 270° jack
15091001-I	OpDAT modul ST SM+MM
15091071-I	OpDAT modul LC-Duplex OS2
15091072-I	OpDAT modul LC-Duplex OM3
15091075-I	OpDAT modul LC-Duplex OM4
15091076-I	OpDAT modul LC-Duplex APC OS2
1509107B-I	OpDAT modul LC-Duplex MM
816979-0103-I	Dust protection covers for Modul patch panels subway / REG gray
816979-0105-I	Dust protection covers for Modul patch panels subway / REG yellow
816979-0106-I	Dust protection covers for Modul patch panels subway / REG blue

Data sheet

Page 7/9

REGplus IP20 FF C6_A modul 180°K

P/N

130B218003-E**EAN 4251394686400**

2026/02/19

Version: C

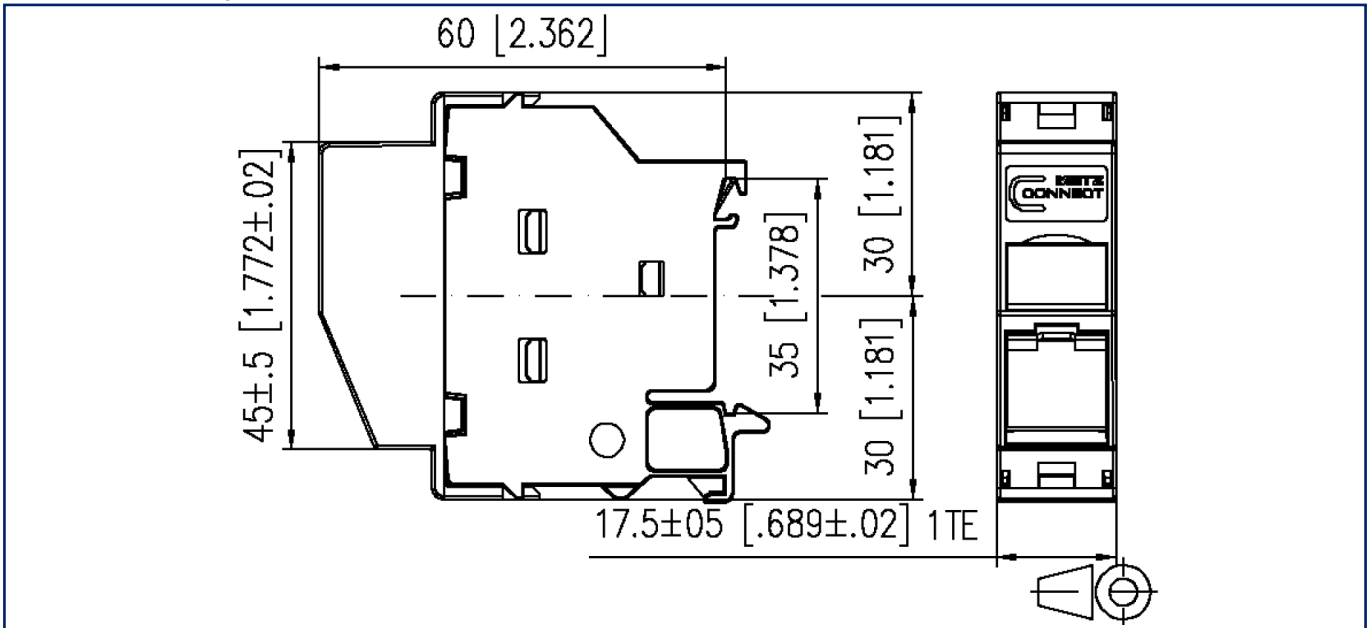
Accessories

816979-0107-I	Dust protection covers for Modul patch panels subway / REG green
816979-0108-I	Dust protection covers for Modul patch panels subway / REG red

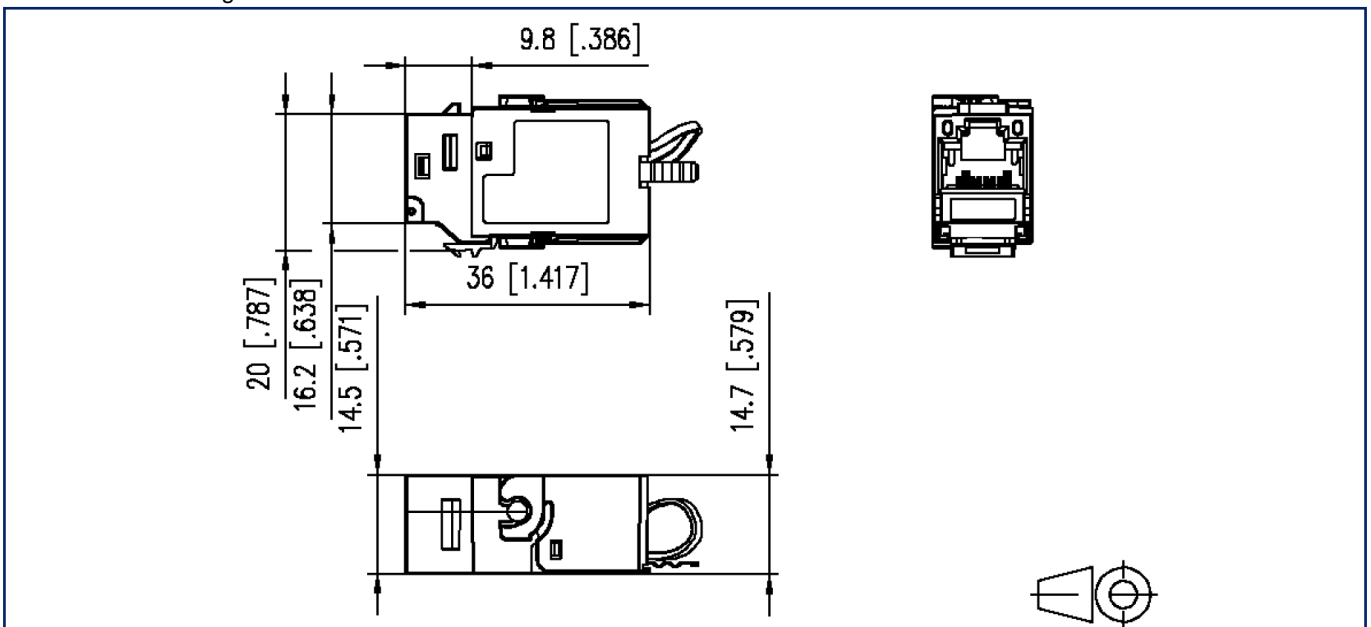


Illustrations

Dimensional drawing



Dimensional drawing



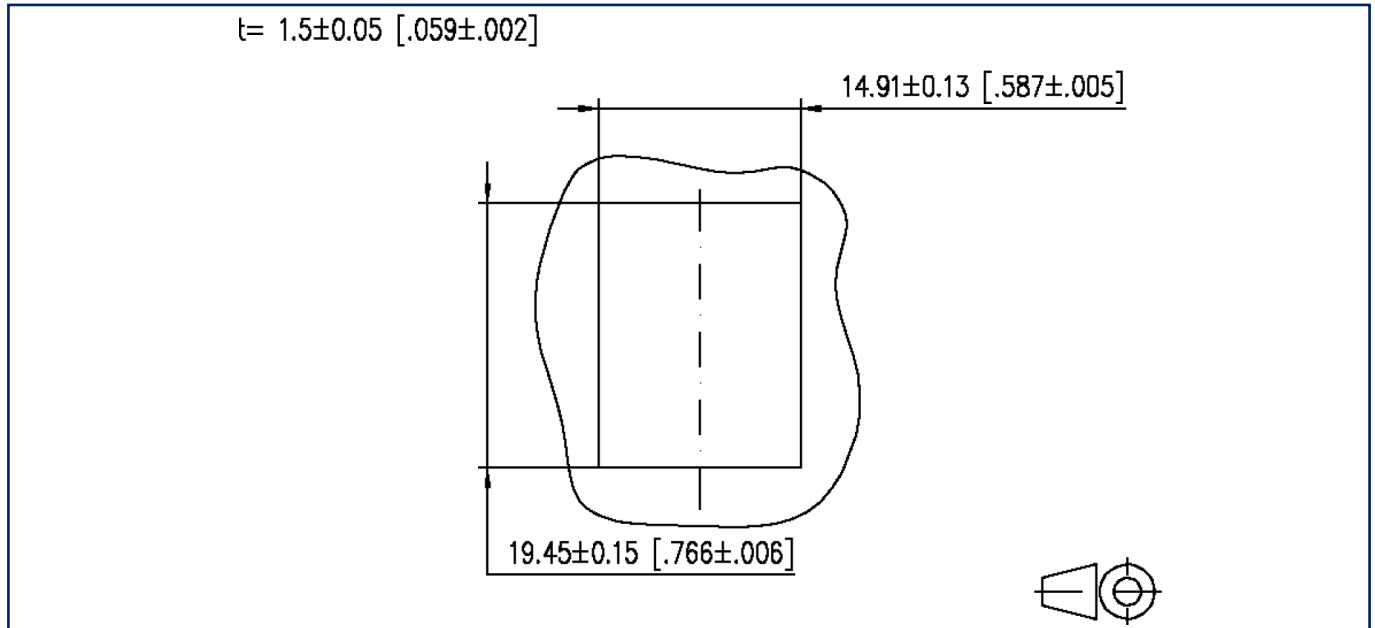
Data sheet
REGplus IP20 FF C6_Amodul 180°K

Page 9/9

P/N
130B218003-E
EAN 4251394686400
2026/02/19
Version: C

Illustrations

Cut-out



Wiring diagram

