

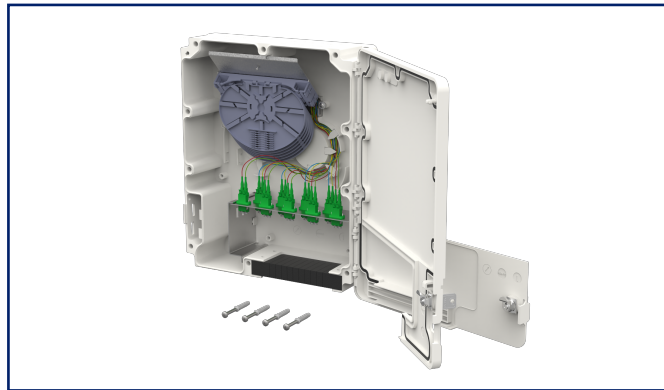
# Data sheet

## OpDAT MV 9xLC-D APC OS2 splice IP54

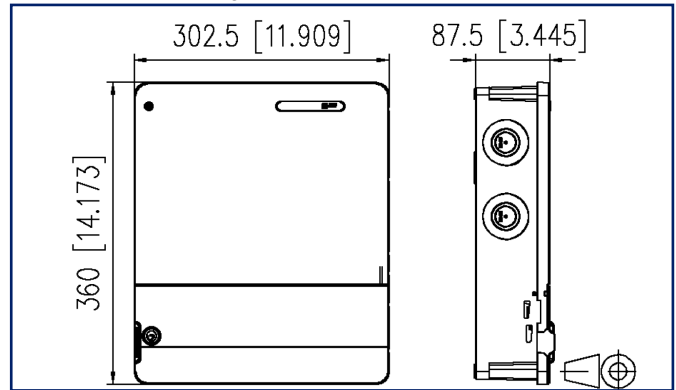
Page 1/6

P/N  
15036C97609-E  
EAN 4251394669618  
2025/09/18  
Version: E

### Illustrations



Dimensional drawing



See enlarged drawings at the end of document

### Product specification

- surface-mounted housing for splicing fibre optic installation cables
- equipped with a patch panel with 9xLC-D APC (green) couplings
- equipped with pigtails prepared for splicing
- pigtails with semi-tight buffered fiber  $\varnothing$  0.9 mm, 12+6 colours, secondary and primary coating of the same colour, length 2.0 m
- pigtails inserted and set down in Single Circuit Cassettes with crimp splice holders
- 2 separately lockable doors to separate the installer- and user sides
- protection class: IP54
- good access possibilities and simple installation
- the housings can be side by side for larger capacities
- cable entries: 12x M12/M16; 2x M20 and M25
- slotted foam as a flexible cable outlet
- sealable
- compact, plain design
- dimensions (L x W x H): 87.5 x 302.5 x 360.0 mm



# OpDAT MV 9xLC-D APC OS2 splice IP54

P/N  
**15036C97609-E**  
**EAN 4251394669618**  
 2025/09/18  
 Version: E

## Technical Data

### General Data

Fields of application	structured building cabling harsh environment Distributed building services
IP protection classes	IP54 category 2
Design	Wall-mounted distributor
Mounting style	AP
Transmission technology	Fiber optic
Color	pure white - RAL 9010
Dimensions	
Dimension (L x W x H)	87.5 mm x 302.5 mm x 360 mm
Dimension (L x W x H)	3.445 in. x 11.909 in. x 14.173 in.
Number of cables/ buffered fibers	18
Cable Type	pigtail(s)
Fiber class	OS2
Mode type of the fiber	Singlemode
Shape	APC (Angled Physical Contact)
Fiber construction	9/125 µm
Labeling option	yes

### Connections/interfaces

Connector technology interface 1	LC-D Couplers
Connector technology interface 2	LC-D Couplers
Number of ports interface 1	9
Number of ports interface 2	9
Number of equipped ports interface 1	9
Number of ports interface 2 equipped	9
Number of ports with dust protection interface 2	9
Cable access/outlet	from top or bottom

# OpDAT MV 9xLC-D APC OS2 splice IP54

P/N

15036C97609-E

EAN 4251394669618

2025/09/18

Version: E

## Technical Data

### Mechanical data

Cut-out	SC, LC-D, E2000
Connector type	duplex
strain relief	yes

### Materials and material properties

Material - Housing	ASA/PC WT25921 + ABS/PC GF10
Material - Front cover	sheet steel
Material - Front cover finish	galvanized
Material - Sleeve	ceramic, slotted
Material - Coupler housing	Plastics
Material - Dust protection	PC (polycarbonate)
RoHS	compliant

### Standards/Regulations

FO connector interfaces	IEC 61754-20
Optical fibers: Indoor optical cables	
Sectional specification for class A B single-mode fibres	ISO/IEC 60793-2-50 type B.1.3 & B6_a
Standard colours for insulation for low-frequency cables & wires	IEC 60304

### Classifications

ETIM 7.0	EC001130
ETIM 8.0	EC001130
ETIM 9.0	EC001130
ETIM 10.0	EC001130

### Packing details

Type of packaging	1 pc(s) / box
-------------------	---------------

### Notes

Safety instructions	IP protection classes tested without incoming or outgoing components. The protection class may differ due to the connection of components.
---------------------	--

Data sheet

Page 4/6

**OpDAT MV 9xLC-D APC OS2 splice IP54**

P/N

**15036C97609-E****EAN 4251394669618**

2025/09/18

Version: E

**Technical Data****Application note**

This product is a standard product of METZ CONNECT. METZ CONNECT is not aware of the specific intended use of the goods by the Customer or any customers of the Customer. The Customer guarantees that it has fully and sufficiently tested the use of the goods and any product modifications, product changes or product enhancements with regard to the specific intended use in accordance with the state of the art or in any other way. At METZ CONNECT's request, the Customer shall submit and make available meaningful evidence (e.g. test and laboratory protocols, certifications, etc.).



Data sheet

Page 5/6

**OpDAT MV 9xLC-D APC OS2 splice IP54**

P/N

**15036C97609-E****EAN 4251394669618**

2025/09/18

Version: E

**Accessories**

P/N	Designation
15036Z0200-E	OpDAT splice cassette holder for OpDAT MV
15036Z0201-E	OpDAT splice cassette block for 6x12 crimp splice holder
150811M12-E	Cable gland M12 (Clamping range 2.0 to 6.5 mm)
150811M16-E	Cable gland M16 (Clamping range 4.0 to 10.0 mm)
150811M20-E	Cable gland M20 (Clamping range 7.0 to 12.0 mm)
150811M25-E	Cable gland M25 (Clamping range 10.0 to 16.0 mm)



Data sheet

OpDAT MV 9xLC-D APC OS2 splice IP54

Page 6/6

P/N

15036C97609-E

EAN 4251394669618

2025/09/18

Version: E

## Illustrations

Dimensional drawing

