

Data sheet

OpDAT HP 6xLC-D OS2 splice, without lock

Page 1/5

P/N

1503597406-E

EAN 4251394602622

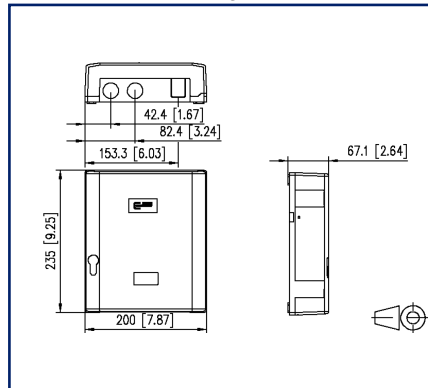
2025/07/09

Version: I

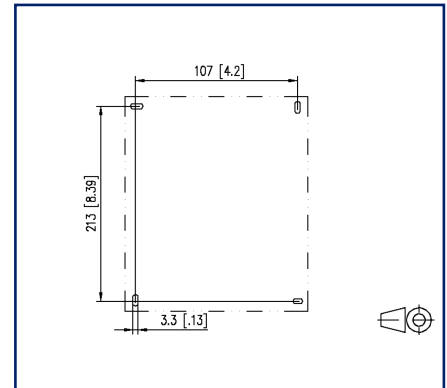
Illustrations



Dimensional drawing



Cut-out



See enlarged drawings at the end of document

Product specification

- Fiber optic splice and distributor housing to be used as building transition point
- Equipped with LC-D adapters and LC pigtailed
- Cover locking by locking latch, can be sealed
- Cover can be very easily removed to facilitate mounting
- Splice tray for easy mounting and maintenance with a maximum of protection of the fibers with fiber transposition option and place to store fiber excess lengths
- Available with or without lock
- Strain relief for cables and patch cords
- With mounting and fastening option for gas and/or water blockers
- Patch cord output with flexible lamella seal
- Two cable entries for M20/25, one M20 cable gland included
- Fastening option for optical couplers
- Structured ASA (acrylic ester-styrene-acrylonitrile) in RAL 7035, extremely resistant plastic material, impact resistant and weatherproof
- Protection class according to IEC 60529: IP54
- Variants: equipped with up to 6 LC-D adapters and up to 12 LC pigtailed, each in blue (OS2) or LC-D APC, each in green (OS2)

OpDAT HP 6xLC-D OS2 splice, without lock

P/N

1503597406-E

EAN 4251394602622

2025/07/09

Version: I

Technical Data

General Data

| | |
|-----------------------------------|--|
| Fields of application | structured building cabling office areas data center |
| IP protection classes | IP54 |
| Design | AP |
| Transmission technology | Fiber optic |
| Color housing | RAL 7035 - light gray |
| Adapter color | blue |
| Dimensions | |
| Dimension (L x W x H) | 67.1 mm x 200 mm x 235 mm |
| Dimension (L x W x H) | 2.642 in. x 7.874 in. x 9.252 in. |
| Weight | 1050 g |
| Weight | 2.3149 lb |
| Number of cables/ buffered fibers | 12 |
| Cable Type | pigtail(s) |
| Fiber class | OS2 |
| Mode type of the fiber | Singlemode |
| Shape | UPC (Ultra Physical Contact) |
| Fiber construction | 9/125 µm |
| Sealable | yes |
| Lockable | no |

Connections/interfaces

| | |
|---------------------------------|------|
| Adapter type | LC-D |
| Adapter interface outside | LC-D |
| Adapter interface inside | LC-D |
| Number of adapters | 6 |
| Number of breakouts front panel | 6 |



OpDAT HP 6xLC-D OS2 splice, without lock

P/N

1503597406-E

EAN 4251394602622

2025/07/09

Version: I

Technical Data

Optical characteristics

| | |
|----------------|-------------|
| Insertion loss | max. 0,3 dB |
| Return loss | min. 50 dB |

Mechanical data

| | |
|----------------|-------------------|
| Cut-out | SC-S/LC-D/E2000-S |
| Connector type | duplex |
| strain relief | yes |

Materials and material properties

| | |
|----------------------------|-----------------------------|
| Material - Sleeve | ceramic, slotted |
| Material - Coupler housing | Plastics |
| Material - Dust protection | PC (polycarbonate) |
| Halogen free | yes |
| REACH | compliant, 7439-92-1 – lead |

Environmental conditions

| | |
|-------------------------------|----------------|
| Temperature (min. - max.) | |
| Temperature - Storage °C | -10 °C - 60 °C |
| Temperature - Storage °F | 14 °F - 140 °F |
| Temperature - Operating °C | -5 °C - 60 °C |
| Temperature - Operating °F | 23 °F - 140 °F |
| Temperature - Installation °C | -5 °C - 50 °C |
| Temperature - Installation °F | 23 °F - 122 °F |

Standards/Regulations

| | |
|--|---|
| FO connector interfaces | LC - IEC 61754-20 |
| Fiber standard | ISO/IEC 60793-2-50 (B6_a1) ITU-T G.657.A1 |
| Optical fibers - Interconnecting devices and passive components - basic test and measuring methods | |
| Fibre optic interconnecting devices and passive components - Insertion loss | IEC 61300-3-4 |
| Fibre optic interconnecting devices and passive components - Return loss | IEC 61300-3-6 |
| Fibre optic interconnecting devices and passive components - Visual inspection of plug end face | IEC 61300-3-35 |
| Color coding fiber/ wire(s) | IEC 60304 /VDE 0888 |



Data sheet

Page 4/5

OpDAT HP 6xLC-D OS2 splice, without lock

P/N

1503597406-E

EAN 4251394602622

2025/07/09

Version: I

Technical Data**Classifications**

| | |
|-----------|----------|
| ETIM 7.0 | EC001409 |
| ETIM 8.0 | EC001409 |
| ETIM 9.0 | EC001409 |
| ETIM 10.0 | EC001409 |

Packing details

Type of packaging 1 pc(s) / box

Application note

This product is a standard product of METZ CONNECT. METZ CONNECT is not aware of the specific intended use of the goods by the Customer or any customers of the Customer. The Customer guarantees that it has fully and sufficiently tested the use of the goods and any product modifications, product changes or product enhancements with regard to the specific intended use in accordance with the state of the art or in any other way. At METZ CONNECT's request, the Customer shall submit and make available meaningful evidence (e.g. test and laboratory protocols, certifications, etc.).



Data sheet

Page 5/5

OpDAT HP 6xLC-D OS2 splice, without lock

P/N

1503597406-E

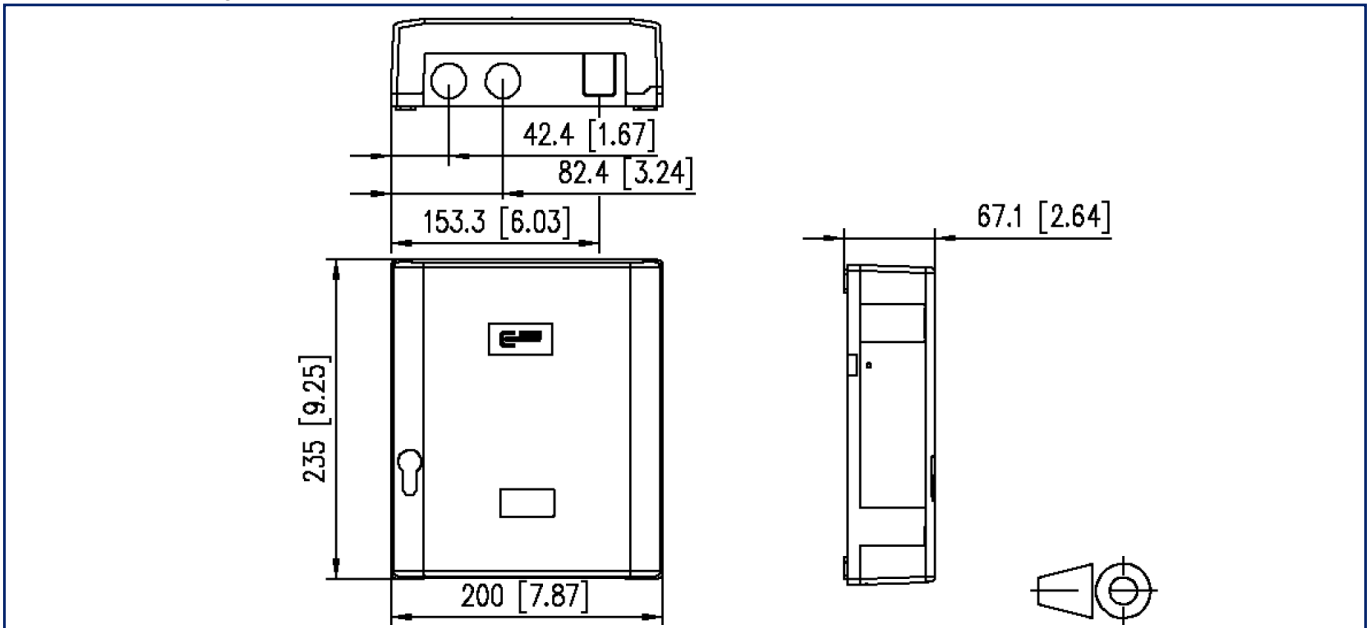
EAN 4251394602622

2025/07/09

Version: I

Illustrations

Dimensional drawing



Cut-out

