

Data sheet

Page 1/5

IP44 surface-mounted module housing with hinged cover and lock, gray, 2 port unequipped for MC module

P/N

1309470003-I

EAN 4251394632094

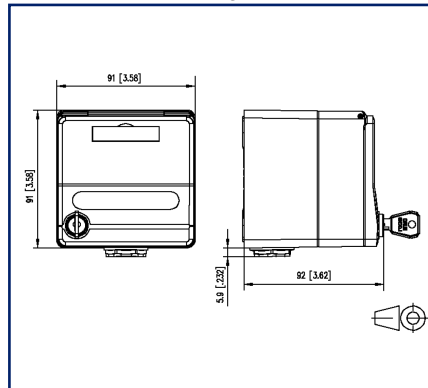
2025/09/18

Version: H

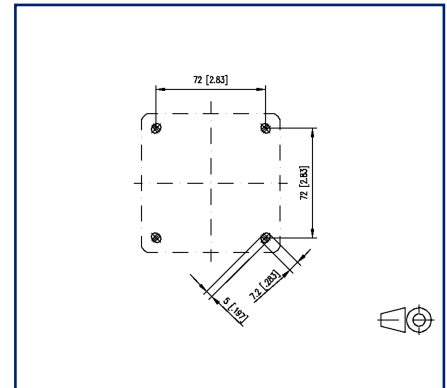
Illustrations



Dimensional drawing



Drill pattern



See enlarged drawings at the end of document

Product specification

- With two keys and keyed alike lock (same locks and keys), housing flap can be sealed
- Protection class IP44, protected against splashing water on all sides and the ingress of solid objects larger than 1 mm.
- IP protection classes tested without outgoing components. The protection class may differ due to the connection of components.
- Module cut-out: MC module
- Two individual modules of your choice (RJ45, fibre optic LC, fibre optic ST, KOAX) available as accessories.
- Hinged cover closes completely, even when patch cables are plugged in
- Hinged lid can be locked in open position
- Housing made of UV weather-resistant and break-proof thermoplastic PC/ASA
- With clearly visible labelling area
- Cable feed for one or two cables can be rotated 90 degrees.
- Colour: gray (RAL 7035)
- Cable glands available as accessories
- Delivery without modules and screws for surface mounting.



Data sheet

IP44 surface-mounted module housing with hinged cover and lock, gray, 2 port unequipped for MC module

P/N
1309470003-I

EAN 4251394632094

2025/09/18

Version: H

Technical Data

General Data

Fields of application	structured building cabling office areas industry Home Distributed building services
Design	wall outlet
Mounting style	AP
Color	light gray - RAL 7035
Dimensions	
Dimension (L x W x H)	91.1 mm x 91.1 mm x 89.9 mm
Dimension (L x W x H)	3.587 in. x 3.587 in. x 3.539 in.
Weight	276.53 g
Weight	0.6096 lb
Modularity	2
Labeling option	label window with identification label

Connections/interfaces

Cable access/outlet	90° from the top or bottom
---------------------	----------------------------

Mechanical data

Cut-out	MC module
strain relief	no

Materials and material properties

Material - Supporting frame	ASA PC
Material - Surface mount frame	ASA PC
Material - Lower housing	ASA PC
Material - Guide cover	ASA PC
Material - Spring	Steel 1.4310
Material - Label window	PC
Flame retardancy	Yes, according to UL 94 (V0 at 1.6mm for housing parts)
RoHS	compliant

Data sheet

Page 3/5

IP44 surface-mounted module housing with hinged cover and lock, gray, 2 port unequipped for MC module

P/N

1309470003-I

EAN 4251394632094

2025/09/18

Version: H

Technical Data

Environmental conditions

Temperature (min. - max.)

Temperature - Operating °C -20 °C - 70 °C

Temperature - Operating °F -4 °F - 158 °F

Particulate ingress IP4X

Liquid ingress/immersion IPX4

Standards/Regulations

Degrees of Protection Provided by Enclosures IEC 60529:2014-09

Classifications

ETIM 8.0 EC001264

ETIM 9.0 EC001264

ETIM 10.0 EC001264

Packing details

Type of packaging 1 pc(s) / box

Application note

This product is a standard product of METZ CONNECT. METZ CONNECT is not aware of the specific intended use of the goods by the Customer or any customers of the Customer. The Customer guarantees that it has fully and sufficiently tested the use of the goods and any product modifications, product changes or product enhancements with regard to the specific intended use in accordance with the state of the art or in any other way. At METZ CONNECT's request, the Customer shall submit and make available meaningful evidence (e.g. test and laboratory protocols, certifications, etc.).



Data sheet

Page 4/5

IP44 surface-mounted module housing with hinged cover and lock, gray, 2 port unequipped for MC module

P/N

1309470003-I

EAN 4251394632094

2025/09/18

Version: H

Accessories

P/N	Designation
130898-01-I	COAX modul F jack / F jack
130898-02-I	COAX modul IEC jack / F jack
130898-03-I	COAX modul IEC plug / F jack
130908-I-B1	UAE modul Cat.5e white
130909-I	UAE modul Cat.6 jack white
130910-I	E-DAT modul Cat.6 _A 8(8) jack
130910-Z	E-DAT modul Cat.6 _A 8(8) jack, (12 pcs)
130944V203-E	Cable gland M25 2x8
130A11-29-I	UAE modul 8(8) Cat.6 _A black
130A11-I	UAE modul 8(8) Cat.6 _A white
130B11-25-E	25Gmodul
130B11-25-Z	25Gmodul (12 pcs)
130B11-E	C6 _A modul 180° jack
130B11-Z	C6 _A modul 180° jack (12 pcs)
130B12-25-E	25Gmodul 270° Jack
130B12-E	C6 _A modul 270° jack
150811M25-E	Cable gland M25 (Clamping range 10.0 to 16.0 mm)
150811TM25-E	Cable gland M25 (Clamping range 9.0 to 11.0 mm)
15091001-I	OpDAT modul ST OS2
15091070-I	OpDAT modul LC (Ph-Br) MM beige
15091071-I	OpDAT modul LC-Duplex OS2
15091072-I	OpDAT modul LC-Duplex OM3
15091075-I	OpDAT modul LC-Duplex OM4
15091076-I	OpDAT modul LC-Duplex APC OS2



Data sheet

Page 5/5

**IP44 surface-mounted module housing with hinged cover
and lock, gray, 2 port unequipped for MC module**

P/N

1309470003-I

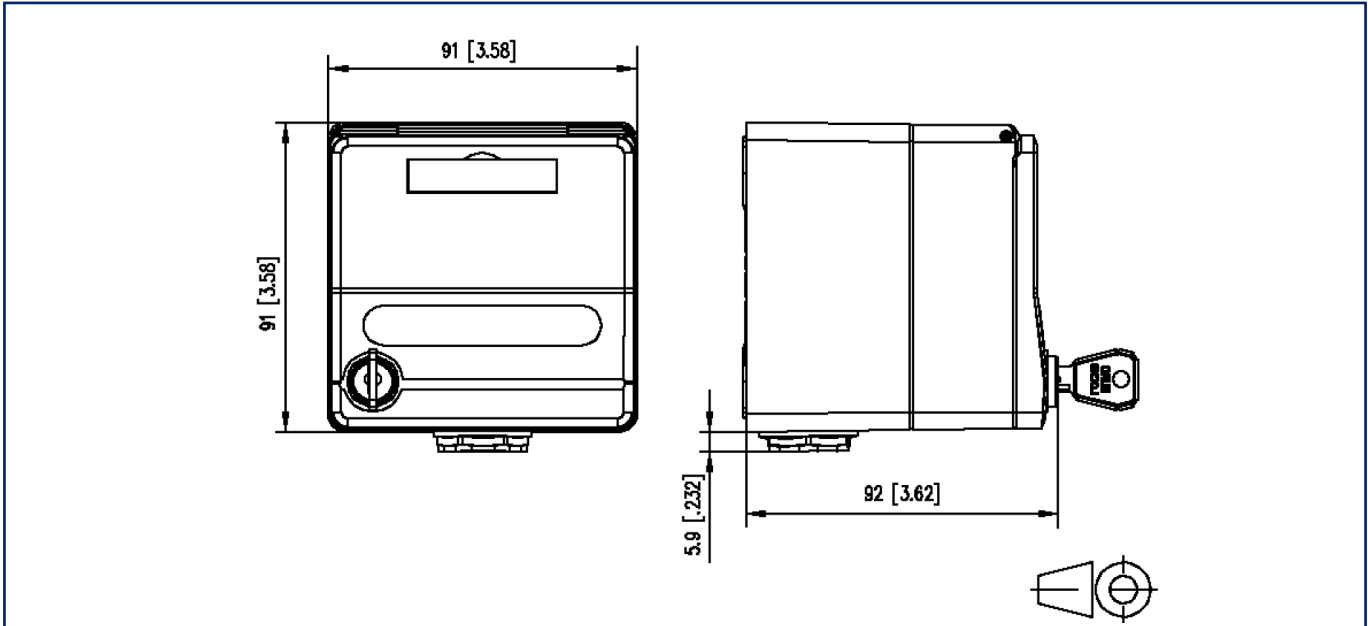
EAN 4251394632094

2025/09/18

Version: H

Illustrations

Dimensional drawing



Drill pattern

