

OFF ON
Data sheet
SAR 5

P/N
130284-I
EAN 4250184116660
2025/08/20
Version: E

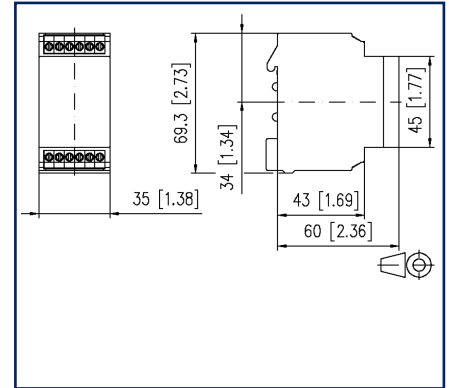
Illustrations



Dimensional drawing



Circuit diagram



See enlarged drawings at the end of document

Product specification

The SAR4 and SAR5 can be connected to a telecommunications access line or separate control voltage source (AC/DC) and are activated by the call voltage or control voltage. The SAR reacts either only to the call voltage or to the control voltage. It activates an external signal emitter with its own or separate power supply (e.g. bell, horn, or lamp).

Data sheet
SAR 5

Page 2/3

P/N
130284-I

EAN 4250184116660

2025/08/20

Version: E

Technical Data**Material**

Color light gray

Climatic Data

Operating

Relative humidity max. 85 % non-condensing

Classifications

ETIM 7.0 EC000373

ETIM 8.0 EC000373

ETIM 9.0 EC000373

ETIM 10.0 EC000373

Application note

This product is a standard product of METZ CONNECT. METZ CONNECT is not aware of the specific intended use of the goods by the Customer or any customers of the Customer. The Customer guarantees that it has fully and sufficiently tested the use of the goods and any product modifications, product changes or product enhancements with regard to the specific intended use in accordance with the state of the art or in any other way. At METZ CONNECT's request, the Customer shall submit and make available meaningful evidence (e.g. test and laboratory protocols, certifications, etc.).



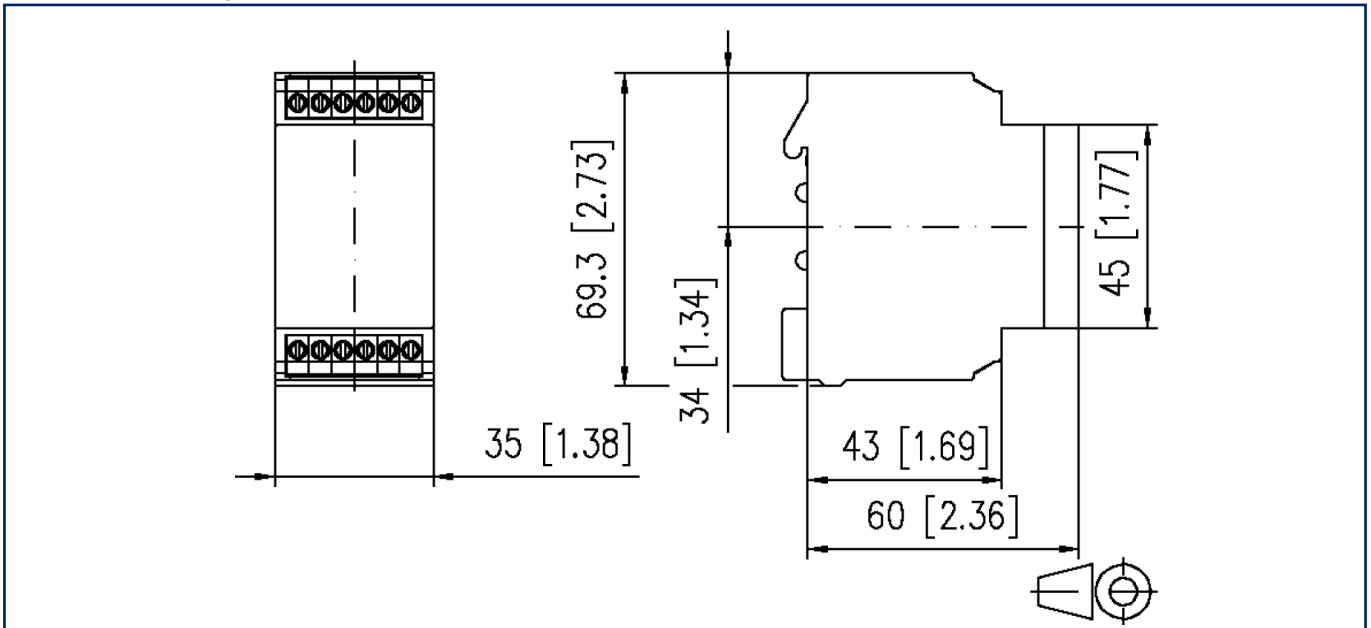
Data sheet
SAR 5

Page 3/3

P/N
130284-I
EAN 4250184116660
2025/08/20
Version: E

Illustrations

Dimensional drawing



Circuit diagram

