

Data sheet

110887130370 BMT-F-AOP2

BACnet MS/TP

Page 1/8

P/N

110887130370

EAN 4251394660769

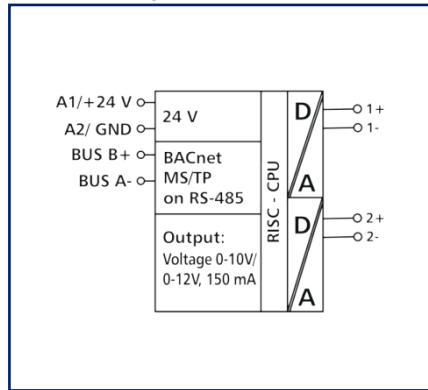
2026/02/02

Version: J

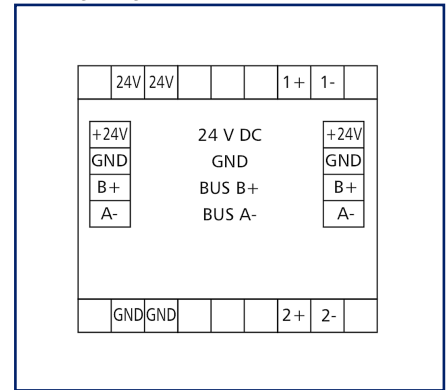
Illustrations



Principle diagram



Wiring diagram



See enlarged drawings at the end of document

Product specification

The BACnet MS/TP module with 2 analog voltage outputs was developed for decentralized switching tasks. It is suitable as encoder for control variables, for example for electrical vent and mixing valves, valve positions or electronic ballasts for lighting and other applications. The outputs can be output by means of standard objects via a BACnet client. Each output can be set for automatic or manual operation by means of 2 potentiometers at the front. In addition, the operating mode can be set via software (output voltage 0-10 V or 0-12 V). The module is addressed and the baud rate is set by means of two address switches on the front. Suitable for decentralized mounting on DIN TH35 rail according to IEC 60715 in electrical distribution cabinets.

- Connection with spring clamp terminal blocks (push-in)



Technical Data

Approvals



Open Energy Management Equipment 34TZ



BACnet is a registered trademark of ASHRAE. ASHRAE does not endorse, approve or test products for compliance with ASHRAE standards. Compliance of listed products to the requirements of ASHRAE Standard 135 is the responsibility of BACnet International (BI). BTL is a registered trademark of BI.

RS485 interface

Protocol	BACnet MS/TP
Address range	00 - F9
Bus interface	RS485 two wire bus with potential equalization in bus or line topology terminate with 120 Ohm
Transmission parameters	
Transmission rate	min. 9600 Bit/s (Bd) max. 115200 Bit/s (Bd)
Transmission rate default setting	9600 Bit/s (Bd)
Parity	None
Stopbits	1

Supply

Operating voltage	24 V DC
Power consumption	
Power consumption DC (max.)	250 mA
Duty cycle relative	100 %

Outputs

Analog outputs	2, galvanically isolated
Voltage range	
Resolution voltage output	0 V - 10 V DC / 0 V - 12 V DC
Resolution voltage output	0.3125 mV / digit
Continuous current voltage output	150 mA at 10 V DC / 12 V DC



Technical Data

Housing

Dimensions

Dimension (W x H x D)	50 mm x 69.3 mm x 60 mm
Dimension (W x H x D)	1.969 in. x 2.728 in. x 2.362 in.
Total depth with switch/plug	69 mm
Weight	119 g
Mounting style	Standard rail TH35
Mounting position	any
Apposition	without distance The maximum quantity of BACnet modules connected side-by-side is limited to 8 or to a maximum power consumption of 2 Amps (DC) per connection to the power supply. For any similar block of additional modules a separate connection to the power supply is necessary.

Connection type	Spring clamp terminal blocks
Indicator	green and red LED

Terminal blocks

Supply and bus

Terminal block	4-pole, pluggable, on front of housing
Solid wire (AWG)	max. 1.5 mm ² / max. 16 AWG
Stranded wire (AWG)	max. 1 mm ² / max. 18 AWG
Wire diameter	min. 0.3 mm max. 1.4 mm

Module connection

Wire cross section solid	0.2 mm ² - 2.5 mm ² / AWG 24-14
Wire cross section multi	0.25 mm ² - 2.5 mm ² / AWG 24-12
Wire cross section with wire ferrule	0.25 mm ² - 2.5 mm ² / AWG 22-12
Stripping length (min.)	8 mm

Protection circuit	Polarity reversal protection for DC operating voltage Protection against interchanging power supply and bus
--------------------	--



Technical Data

Material

Color	gray
Material - Terminal block	Polyamid 6.6 V0
Material - Covers	Polycarbonat

Protection category according to IEC 60529

Protection category - housing (acc. to IEC 60529)	IP40
Protection category - terminal blocks (acc. to IEC 60529)	IP20

Climatic Data

Operating	
Temperature - Operating °C	-5 °C - 55 °C
Temperature - Operating °F	23 °F - 131 °F
Relative humidity	max. 85 % non-condensing
Storage	
Temperature - Storage °C	-20 °C - 70 °C
Temperature - Storage °F	-4 °F - 158 °F

Classifications

ETIM 7.0	EC001096
ETIM 8.0	EC001096
ETIM 9.0	EC001096
ETIM 10.0	EC001096

Software and additional documents

Software and documentation	Further documentation is available for free download at www.metz-connect.com
----------------------------	--

Application note

This product is a standard product of METZ CONNECT. METZ CONNECT is not aware of the specific intended use of the goods by the Customer or any customers of the Customer. The Customer guarantees that it has fully and sufficiently tested the use of the goods and any product modifications, product changes or product enhancements with regard to the specific intended use in accordance with the state of the art or in any other way. At METZ CONNECT's request, the Customer shall submit and make available meaningful evidence (e.g. test and laboratory protocols, certifications, etc.).

Data sheet

Page 5/8

110887130370 BMT-F-AOP2**BACnet MS/TP**

P/N

110887130370**EAN 4251394660769**

2026/02/02

Version: J

Accessories

P/N	Designation
110369	Terminal block Type 259
110486	HUB DC
110561	Power supply NG4 24 V DC
31135104	Typ 135 RIACON 135_3.5

Data sheet

110887130370 BMT-F-AOP2

BACnet MS/TP

Page 6/8

P/N

110887130370

EAN 4251394660769

2026/02/02

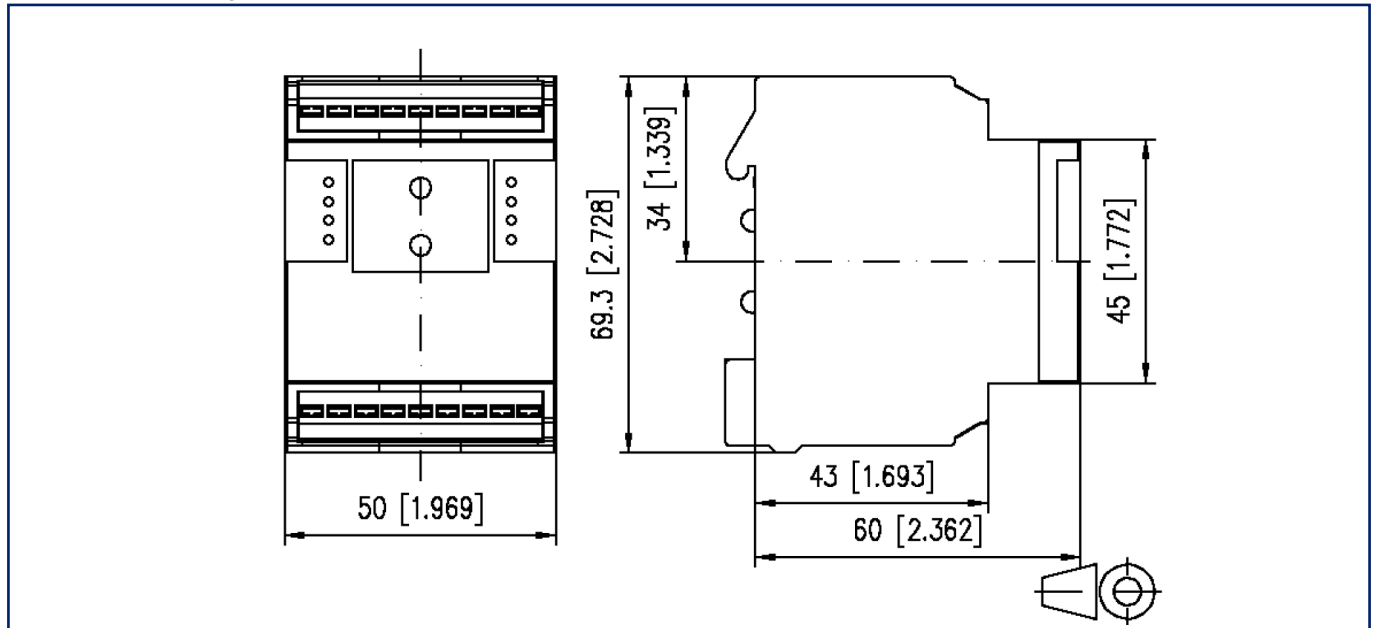
Version: J

Accessories from

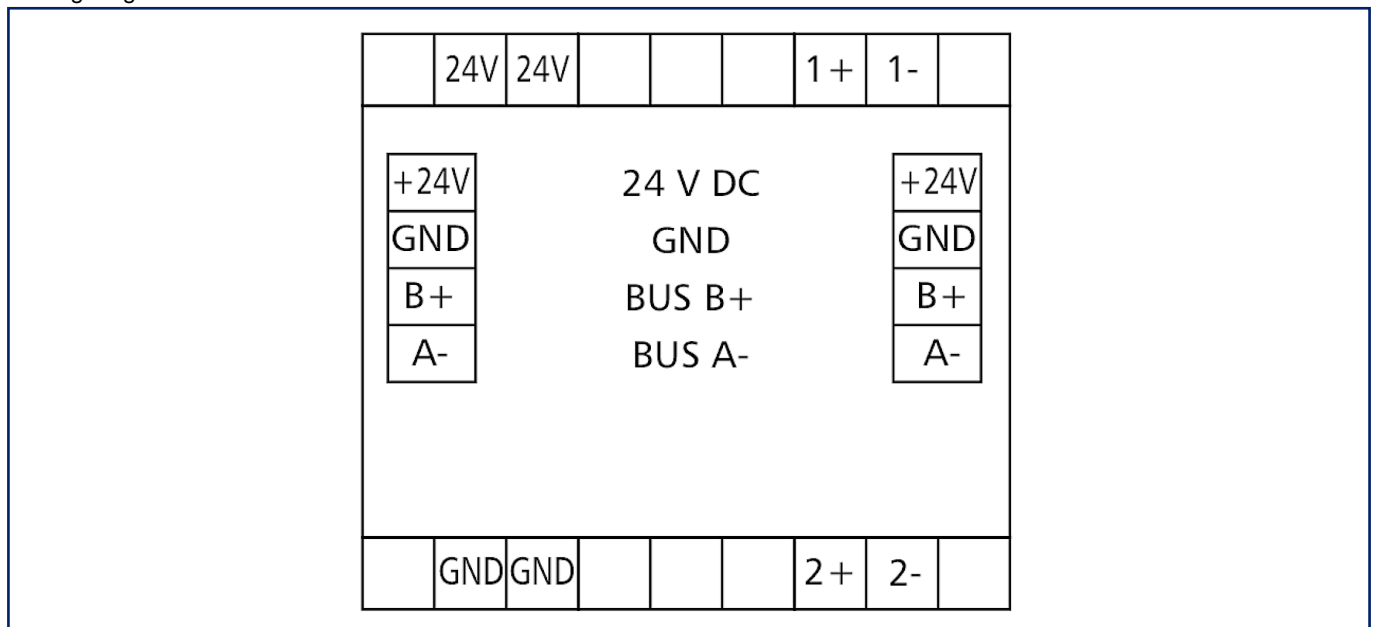
P/N	Designation
11088001	BMT-RTR BACnet-Router
1108800170	BMT-F-RTR BACnet-Router
11088101	BMT-RTR/SC BACnet/SC Router
1108810170	BMT-F-RTR/SC BACnet/SC Router

Illustrations

Dimensional drawing



Wiring diagram



Illustrations

Principle diagram

