

Data sheet

BMT-DI4 BACnet MS/TP

Page 1/9

P/N

1108841319

EAN 4250184138747

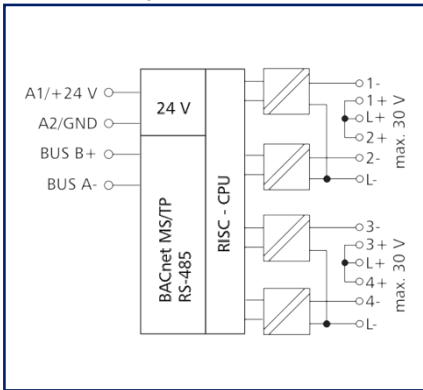
2025/08/18

Version: L

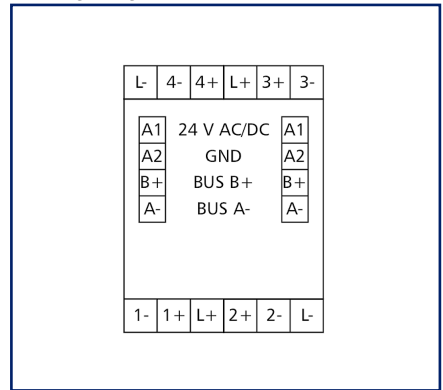
Illustrations



Principle diagram



Wiring diagram



See enlarged drawings at the end of document

Product specification

The BACnet MS/TP module with 4 digital inputs was developed for decentralized switching tasks. It is suitable for detecting potential-free switch states, for example electrical limit switches on vent valves or auxiliary contacts of power contactors. The inputs can be operated by means of potential-free switches or contacts or used as voltage inputs. The inputs can be scanned by means of standard objects via a BACnet client. The module is addressed and the baud rate is set by means of two address switches on the front. Suitable for decentralized mounting on DIN TH35 rail according to IEC 60715 in electrical distribution cabinets.

- Connection with screw type terminal blocks



Data sheet
BMT-DI4 BACnet MS/TP

Technical Data

Approvals



Open Energy Management Equipment 34TZ



BACnet is a registered trademark of ASHRAE. ASHRAE does not endorse, approve or test products for compliance with ASHRAE standards. Compliance of listed products to the requirements of ASHRAE Standard 135 is the responsibility of BACnet International (BI). BTL is a registered trademark of BI.

RS485 interface

Protocol	BACnet MS/TP
Address range	00 - F9
Bus interface	RS485 two wire bus with potential equalization in bus or line topology terminate with 120 Ohm
Transmission parameters	
Transmission rate	min. 9600 Bit/s (Bd) max. 115200 Bit/s (Bd)
Transmission rate default setting	9600 Bit/s (Bd)
Parity	None
Stopbits	1

Supply

Operating voltage	24 V AC/DC +/- 10 % (SELV)
Power consumption	
Power consumption AC (max.)	50 mA
Power consumption DC (max.)	20 mA
Duty cycle relative	100 %

Inputs

Digital inputs	4
Voltage input	30 V AC/DC
High signal detection	> 7 V AC/DC

Technical Data

Housing

Dimensions

Dimension (W x H x D) 35 mm x 69.3 mm x 60 mm

Dimension (W x H x D) 1.378 in. x 2.728 in. x 2.362 in.

Weight 95 g

Mounting style Standard rail TH35

Mounting position any

Apposition without distance
The maximum quantity of BACnet modules connected side-by-side is limited to 15 or to a maximum power consumption of 2 Amps (AC or DC) per connection to the power supply. For any similar block of additional modules a separate connection to the power supply is necessary.

Connection type Screw type terminal blocks

Indicator green, red and yellow LED

Terminal blocks

Supply and bus

Terminal block 4-pole

Solid wire (AWG) max. 1.5 mm² / max. 16 AWG

Stranded wire (AWG) max. 1 mm² / max. 18 AWG

Wire diameter min. 0.3 mm
max. 1.4 mm

Module connection

Wire cross section solid 0.34 mm² - 2.5 mm² / AWG 22-12

Wire cross section multi 0.25 mm² - 2.5 mm² / AWG 22-12

Wire cross section with wire ferrule 0.25 mm² - 2.5 mm² / AWG 22-12

Screw torque (max.) 0.5 Nm

Stripping length (min.) 8 mm

Protection circuit Polarity reversal protection for DC operating voltage
Protection against interchanging power supply and bus



Technical Data

Material

Color	gray
Material - Terminal block	Polyamid 6.6 V0
Material - Covers	Polycarbonat

Protection category according to IEC 60529

Protection category - housing (acc. to IEC 60529)	IP40
Protection category - terminal blocks (acc. to IEC 60529)	IP20

Climatic Data

Operating	
Temperature - Operating °C	-5 °C - 55 °C
Temperature - Operating °F	23 °F - 131 °F
Relative humidity	max. 85 % non-condensing
Storage	
Temperature - Storage °C	-20 °C - 70 °C
Temperature - Storage °F	-4 °F - 158 °F

Classifications

ETIM 7.0	EC000688
ETIM 8.0	EC000688
ETIM 9.0	EC000688
ETIM 10.0	EC000688

Software and additional documents

Software and documentation	Further documentation is available for free download at www.metz-connect.com
----------------------------	--

Application note

This product is a standard product of METZ CONNECT. METZ CONNECT is not aware of the specific intended use of the goods by the Customer or any customers of the Customer. The Customer guarantees that it has fully and sufficiently tested the use of the goods and any product modifications, product changes or product enhancements with regard to the specific intended use in accordance with the state of the art or in any other way. At METZ CONNECT's request, the Customer shall submit and make available meaningful evidence (e.g. test and laboratory protocols, certifications, etc.).



Data sheet

Page 5/9

BMT-DI4 BACnet MS/TP

P/N

1108841319

EAN 4250184138747

2025/08/18

Version: L

Accessories

P/N	Designation
110369	Terminal block Type 259
110486	HUB DC
110561	Power supply NG4 24 V DC
31135104	Typ 135 RIACON 135_3.5

Data sheet

Page 6/9

BMT-DI4 BACnet MS/TP

P/N

1108841319

EAN 4250184138747

2025/08/18

Version: L

Accessories from

P/N	Designation
11088001	BMT-RTR BACnet-Router
1108800170	BMT-F-RTR BACnet-Router
11088101	BMT-RTR/SC BACnet/SC Router
1108810170	BMT-F-RTR/SC BACnet/SC Router



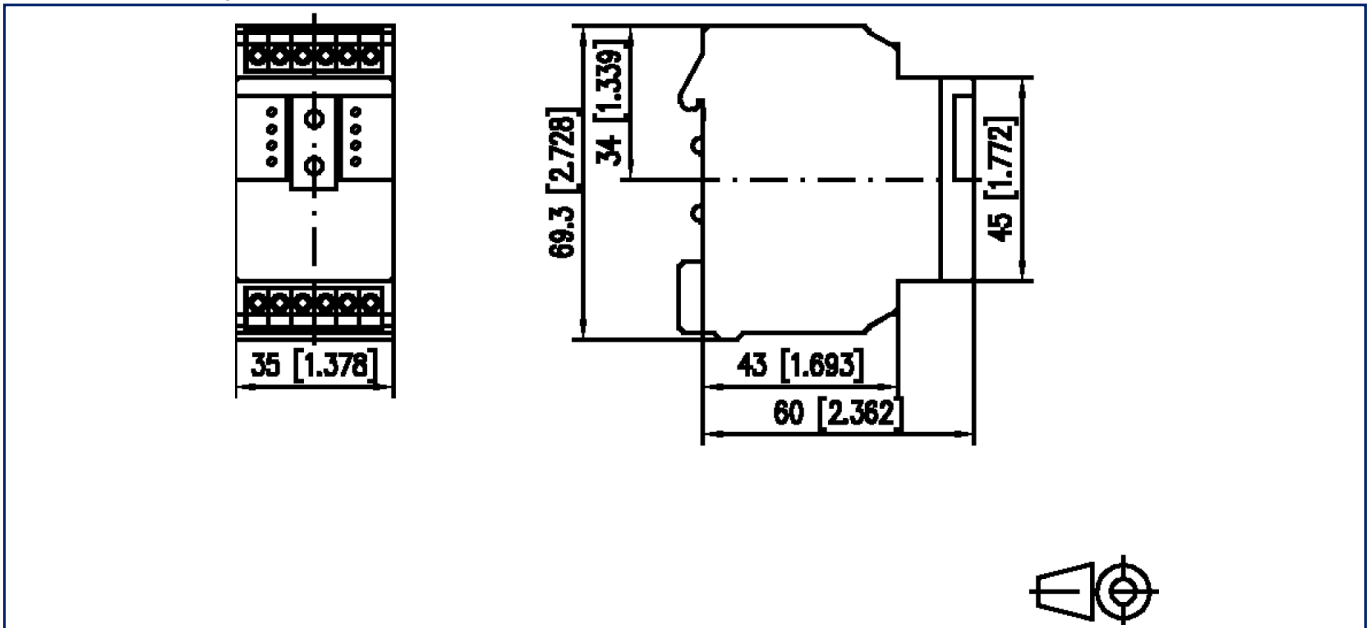
Data sheet
BMT-DI4 BACnet MS/TP

Page 7/9

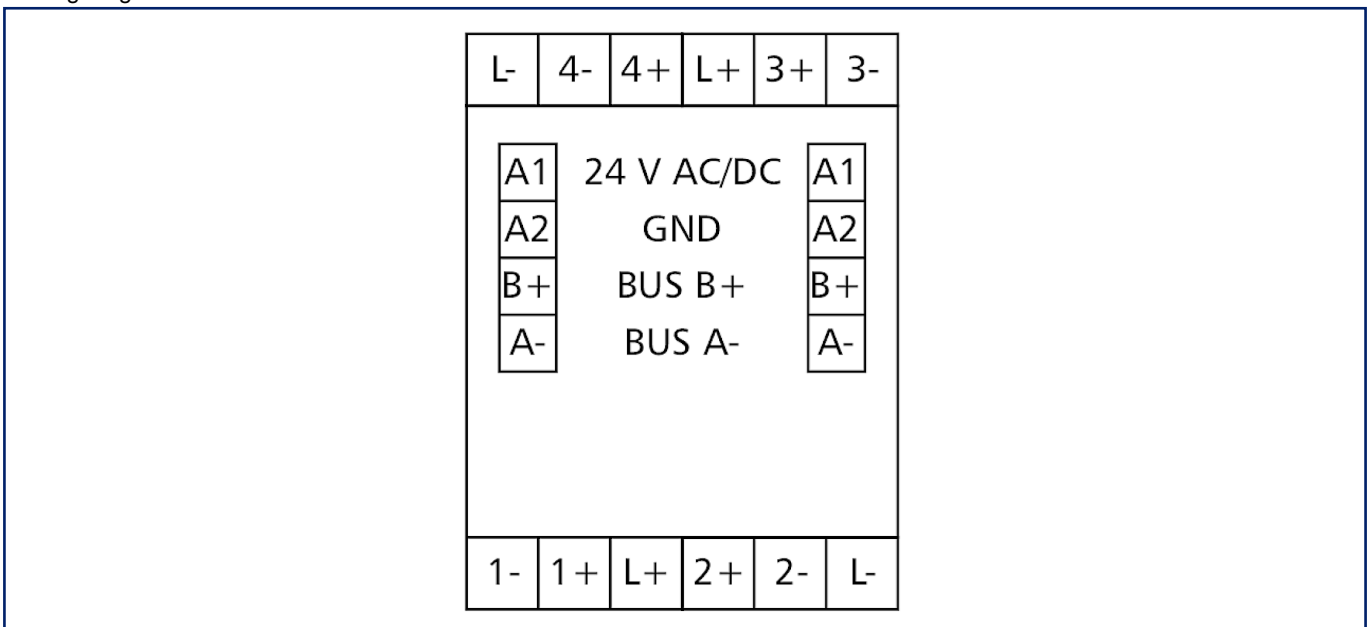
P/N
 1108841319
 EAN 4250184138747
 2025/08/18
 Version: L

Illustrations

Dimensional drawing

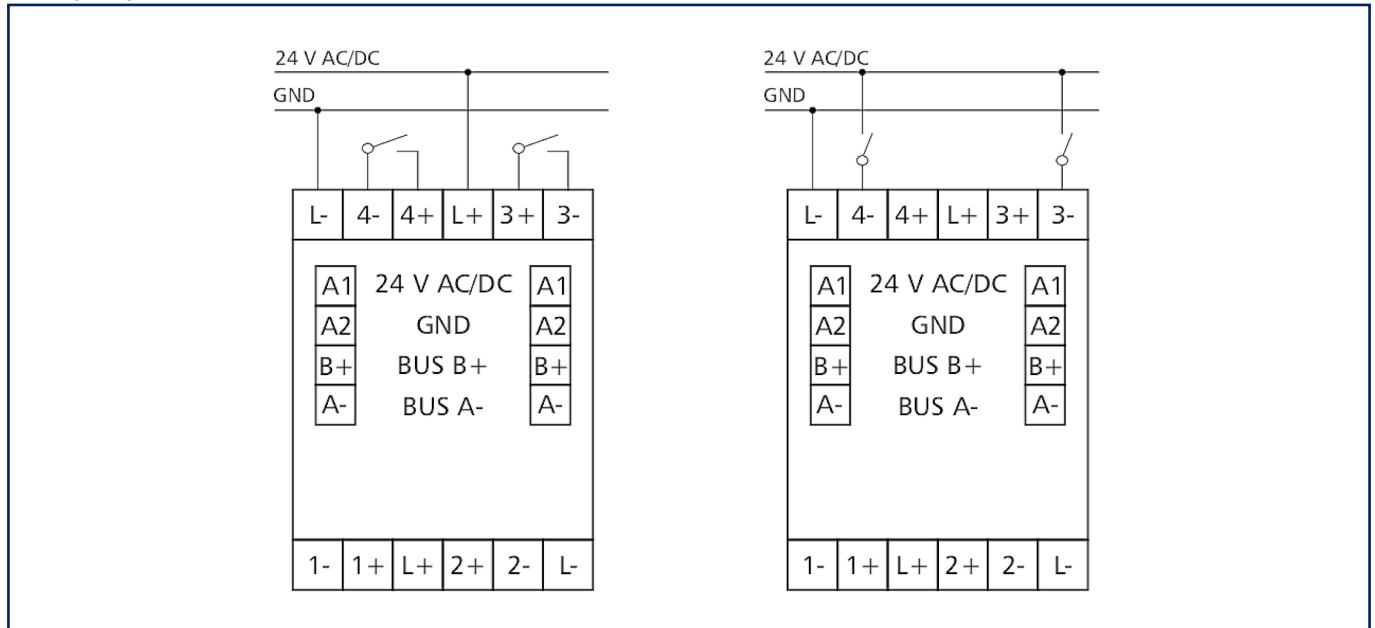


Wiring diagram

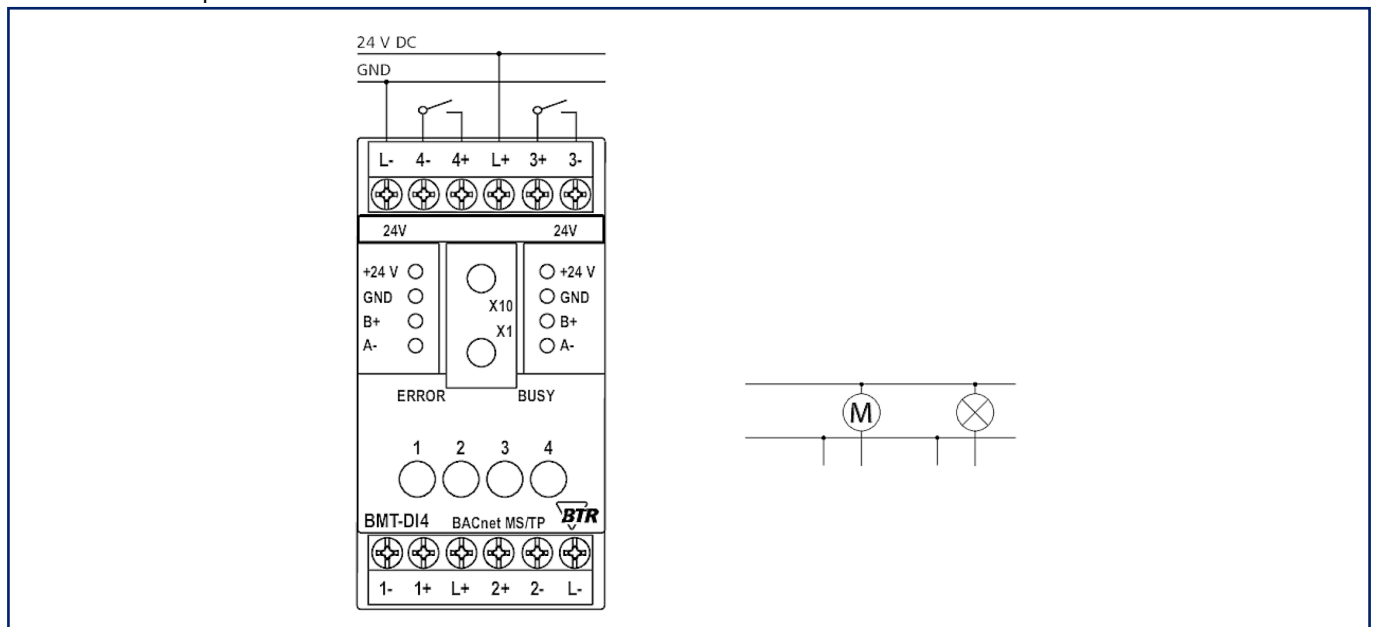


Illustrations

Wiring diagram

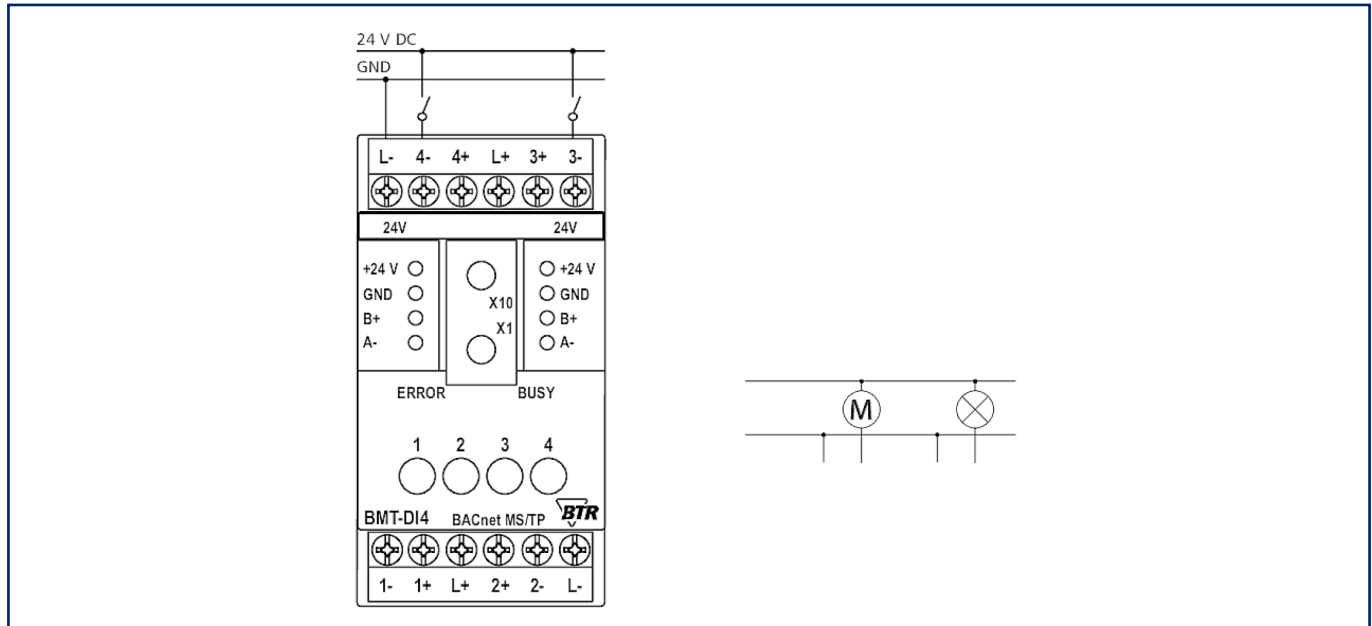


Connection example



Illustrations

Connection example



Principle diagram

