

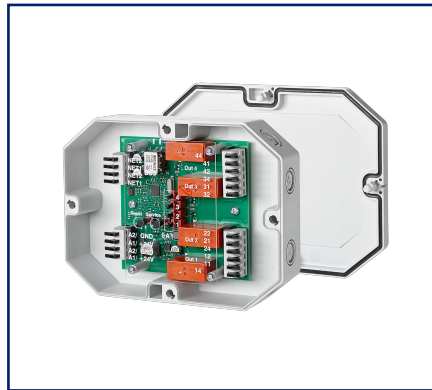
Data sheet

LF-DO4-IP65 LON

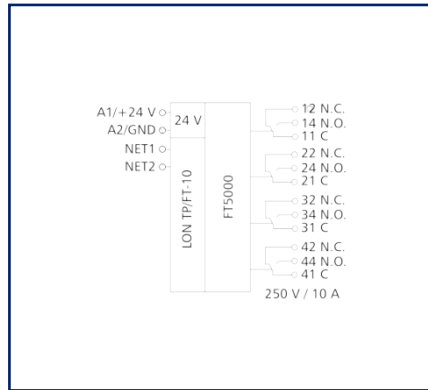
Page 1/7

P/N
1108521321IP
EAN 4250184135722
2025/08/19
Version: J

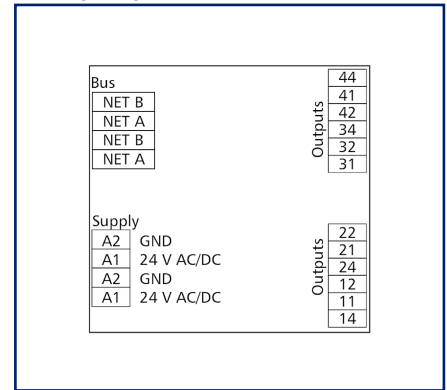
Illustrations



TITEL



Wiring diagram



See enlarged drawings at the end of document

Product specification

The LON module in an IP65 housing with 4 digital outputs was developed for decentralized switching tasks. It is suitable for switching electrical components, such as motors, contactors, lamps, louvers, etc. In this case it is necessary to protect the relay contacts by appropriate load-dependent measures. The outputs can be actuated by SNVT network variables. The module has a manual control activated only in configured mode. In addition, an adjustable wipe function is integrated.



Data sheet
LF-DO4-IP65 LON

Technical Data

RS485 interface

Protocol	TP/FT-10, free topology
Neuron	FT5000
Data format	Standard network variables (SNVT)
Transmission parameters	
Transmission rate	78 Kbit/s
Line topology	2700 m / 64 nodes
Free topology	500 m / 64 nodes
Cabling	Twisted Pair

Supply

Operating voltage	24 V AC/DC +/- 10 % (SELV)
Power consumption	
Power consumption AC (max.)	205 mA
Power consumption DC (max.)	67 mA
Duty cycle relative	100 %
Recovery time	550 ms

Outputs

Digital outputs	4
Relay output	4 changeover contacts
Switching voltage relay output (max.)	250 V AC
Continuous current relay output	10 A / relay
Switch-on current relay output (max.)	80 A < 20 ms
Total current across all outputs	25 A
Switching frequency	360 switching cycles/h
Mechanical life	30x10 ⁶ switching cycles
Electrical life	9x10 ⁴ switching cycles

Isolation

Nominal voltage of the power supply system	230 / 400 V AC
Overvoltage category	III II
Degree of pollution	2 2
Rated test voltage	4 kV 2.5 kV
Type of insulation	basic insulation reinforced insulation

Data sheet
LF-DO4-IP65 LON

Page 3/7

P/N
1108521321IP
EAN 4250184135722
2025/08/19
Version: J

Technical Data

Housing	
Dimensions	
Dimension (W x H x D)	160 mm x 40.7 mm x 120 mm
Dimension (W x H x D)	6.299 in. x 1.602 in. x 4.724 in.
Weight	300 g
Mounting style	directly on a flat surface, 8 knock-out openings for M12 and M16 cable glands
Mounting position	any
Connection type	Spring clamp terminal blocks
Indicator	green and yellow LED
Terminal blocks	
Supply and bus	
Terminal block	4-pole
Solid wire (AWG)	max. 1.5 mm ² / max. 16 AWG
Stranded wire (AWG)	max. 1 mm ² / max. 18 AWG
Wire diameter	min. 0.3 mm max. 1.4 mm
Module connection	
Wire cross section solid	0.2 mm ² - 1.5 mm ² / AWG 28-18
Wire cross section multi	0.08 mm ² - 0.75 mm ² / AWG 28-18
Wire cross section with wire ferrule	0.08 mm ² - 0.75 mm ² / AWG 28-20
Stripping length (min.)	4 mm
Protection circuit	Polarity reversal protection for DC operating voltage Protection against interchanging power supply and bus
Material	
Color	gray
Material - Terminal block	Polyamid 6.6 V0
Material - Covers	Polycarbonat

Data sheet

LF-DO4-IP65 LON

Page 4/7

P/N
1108521321IP
EAN 4250184135722
2025/08/19
Version: J

Technical Data

Protection category according to IEC 60529

Protection category - housing (acc. to IEC 60529)	IP65
Protection category - terminal blocks (acc. to IEC 60529)	IP20

Climatic Data

Operating

Temperature - Operating °C	-5 °C - 55 °C
Temperature - Operating °F	23 °F - 131 °F
Relative humidity	max. 85 % non-condensing

Storage

Temperature - Storage °C	-20 °C - 70 °C
Temperature - Storage °F	-4 °F - 158 °F

Classifications

ETIM 7.0	EC001097
ETIM 8.0	EC001097
ETIM 9.0	EC001097
ETIM 10.0	EC001097

Software and additional documents

Software and documentation	Further documentation is available for free download at www.metz-connect.com
----------------------------	--

Application note

This product is a standard product of METZ CONNECT. METZ CONNECT is not aware of the specific intended use of the goods by the Customer or any customers of the Customer. The Customer guarantees that it has fully and sufficiently tested the use of the goods and any product modifications, product changes or product enhancements with regard to the specific intended use in accordance with the state of the art or in any other way. At METZ CONNECT's request, the Customer shall submit and make available meaningful evidence (e.g. test and laboratory protocols, certifications, etc.).



Data sheet
LF-DO4-IP65 LON

Page 5/7

P/N
1108521321IP
EAN 4250184135722
2025/08/19
Version: J

Accessories

P/N	Designation
110368	TSH 35 Hutschienenhalter für IP65
110486	HUB DC
110561	Power supply NG4 24 V DC
11087913	LF-FAM LON
ASP0250404	SP025xxHDNC ASP025

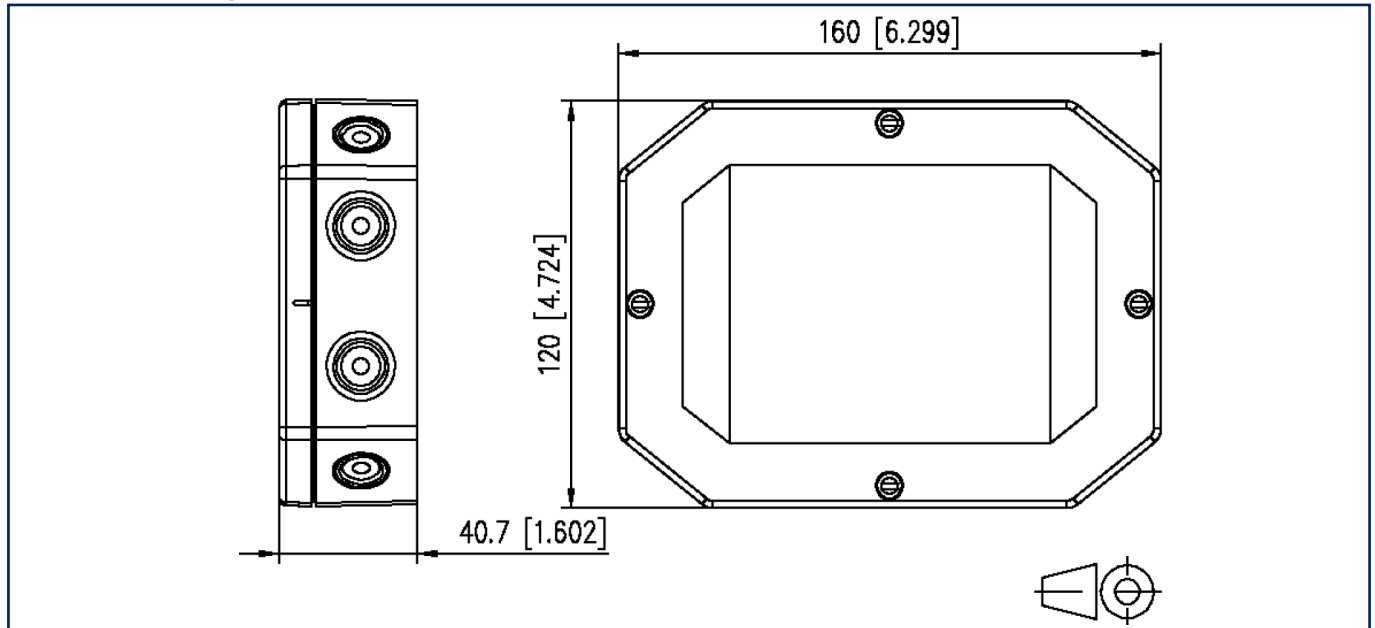


Data sheet
LF-DO4-IP65 LON

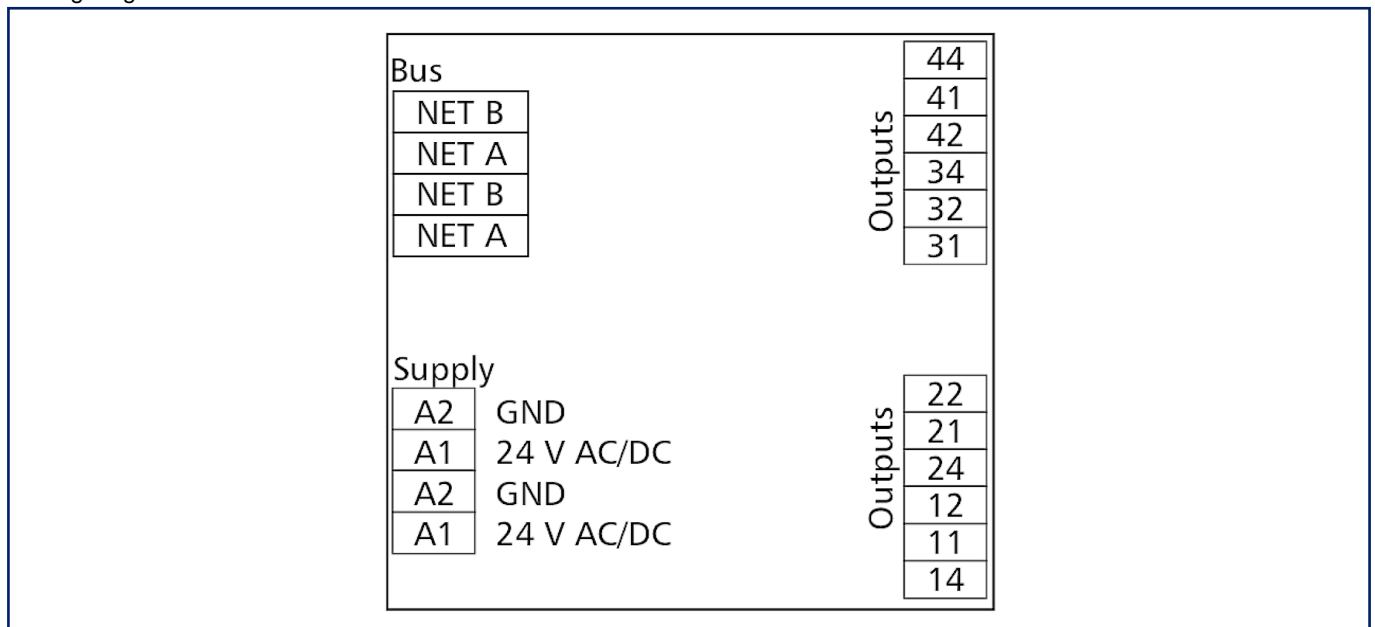
P/N
1108521321IP
EAN 4250184135722
2025/08/19
Version: J

Illustrations

Dimensional drawing



Wiring diagram



Data sheet
LF-DO4-IP65 LON

Page 7/7

P/N
1108521321IP
EAN **4250184135722**
2025/08/19
Version: J

Illustrations

TITEL

