

Data sheet

LF-F-DO4 LON

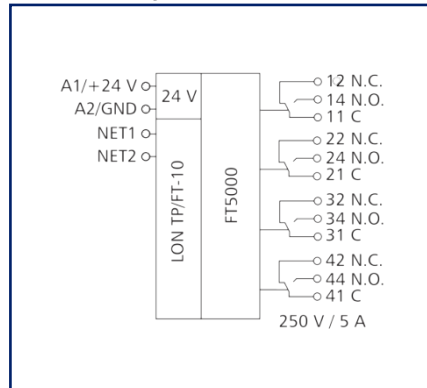
Page 1/7

P/N
110852132170
EAN 4251394620619
2026/02/02
Version: I

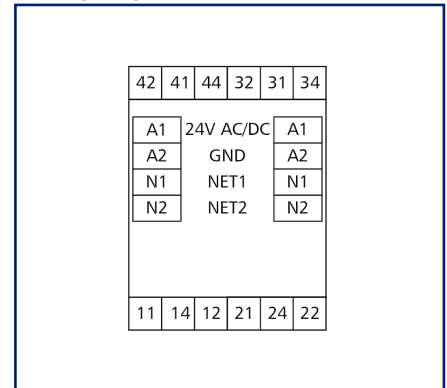
Illustrations



Principle diagram



Wiring diagram



See enlarged drawings at the end of document

Product specification

The LON module with 4 digital outputs was developed for decentralized switching tasks. It is suitable for switching electrical components, such as motors, contactors, lamps, louvers, etc. In this case it is necessary to protect the relay contacts by appropriate load-dependent measures. The outputs can be actuated by SNVT network variables. The module has a manual control activated only in configured mode. In addition, an adjustable wipe function is integrated. Suitable for decentralized mounting on DIN TH35 rail according to IEC 60715 in electrical distribution cabinets.

- Connection with spring clamp terminal blocks (push-in)

Data sheet
LF-F-DO4 LON

P/N
110852132170
EAN 4251394620619
2026/02/02
Version: I

Technical Data

Approvals



Open Energy Management Equipment 34TZ

RS485 interface

Protocol	TP/FT-10, free topology
Neuron	FT5000
Data format	Standard network variables (SNVT)
Transmission parameters	
Transmission rate	78 Kbit/s
Line topology	2700 m / 64 nodes
Free topology	500 m / 64 nodes
Cabling	Twisted Pair

Supply

Operating voltage	24 V AC/DC +/- 10 % (SELV)
Power consumption	
Power consumption AC (max.)	205 mA
Power consumption DC (max.)	67 mA
Duty cycle relative	100 %
Recovery time	550 ms

Outputs

Digital outputs	4
Relay output	4 changeover contacts
Switching voltage relay output (max.)	250 V AC
Continuous current relay output	5 A / relay
Total current across all outputs	12 A
Switching frequency	360 switching cycles/h
Mechanical life	1.5x10 ⁷ switching cycles
Electrical life	1.5x10 ⁵ switching cycles
Protection	5 A

Data sheet
LF-F-DO4 LON

Page 3/7

P/N
110852132170
EAN **4251394620619**
2026/02/02
Version: I

Technical Data

Isolation	
Nominal voltage of the power supply system	230 / 400 V AC
Overvoltage category	III II
Degree of pollution	2 2
Rated test voltage	4 kV 2.5 kV
Type of insulation	basic insulation reinforced insulation
Housing	
Dimensions	
Dimension (W x H x D)	35 mm x 69.3 mm x 60 mm
Dimension (W x H x D)	1.378 in. x 2.728 in. x 2.362 in.
Total depth with switch/plug	69 mm
Weight	104 g
Mounting style	Standard rail TH35
Mounting position	any
Apposition	without distance The maximum quantity of LON modules connected side-by-side is limited to 15 or to a maximum power consumption of 2 Amps (AC or DC) per connection to the power supply. For any similar block of additional modules a separate connection to the power supply is necessary.
Connection type	Spring clamp terminal blocks
Indicator	green and yellow LED
Terminal blocks	
Supply and bus	
Terminal block	4-pole
Solid wire (AWG)	max. 1.5 mm ² / max. 16 AWG
Stranded wire (AWG)	max. 1 mm ² / max. 18 AWG
Wire diameter	min. 0.3 mm max. 1.4 mm
Module connection	
Wire cross section solid	0.2 mm ² - 2.5 mm ² / AWG 24-14
Wire cross section multi	0.25 mm ² - 2.5 mm ² / AWG 24-12
Wire cross section with wire ferrule	0.25 mm ² - 1.5 mm ² / AWG 24-16
Stripping length (min.)	8 mm
Protection circuit	Polarity reversal protection for DC operating voltage

Data sheet
LF-F-DO4 LON

Page 4/7

P/N
110852132170
EAN 4251394620619
2026/02/02
Version: I

Technical Data

Material	
Color	gray
Material - Terminal block	Polyamid 6.6 V0
Material - Covers	Polycarbonat
Protection category according to IEC 60529	
Protection category - housing (acc. to IEC 60529)	IP40
Protection category - terminal blocks (acc. to IEC 60529)	IP20
Climatic Data	
Operating	
Temperature - Operating °C	-5 °C - 55 °C
Temperature - Operating °F	23 °F - 131 °F
Relative humidity	max. 85 % non-condensing
Storage	
Temperature - Storage °C	-20 °C - 70 °C
Temperature - Storage °F	-4 °F - 158 °F
Classifications	
ETIM 7.0	EC001097
ETIM 8.0	EC001097
ETIM 9.0	EC001097
ETIM 10.0	EC001097
Software and additional documents	
Software and documentation	Further documentation is available for free download at www.metz-connect.com

Application note

This product is a standard product of METZ CONNECT. METZ CONNECT is not aware of the specific intended use of the goods by the Customer or any customers of the Customer. The Customer guarantees that it has fully and sufficiently tested the use of the goods and any product modifications, product changes or product enhancements with regard to the specific intended use in accordance with the state of the art or in any other way. At METZ CONNECT's request, the Customer shall submit and make available meaningful evidence (e.g. test and laboratory protocols, certifications, etc.).

Data sheet
LF-F-DO4 LON

Page 5/7

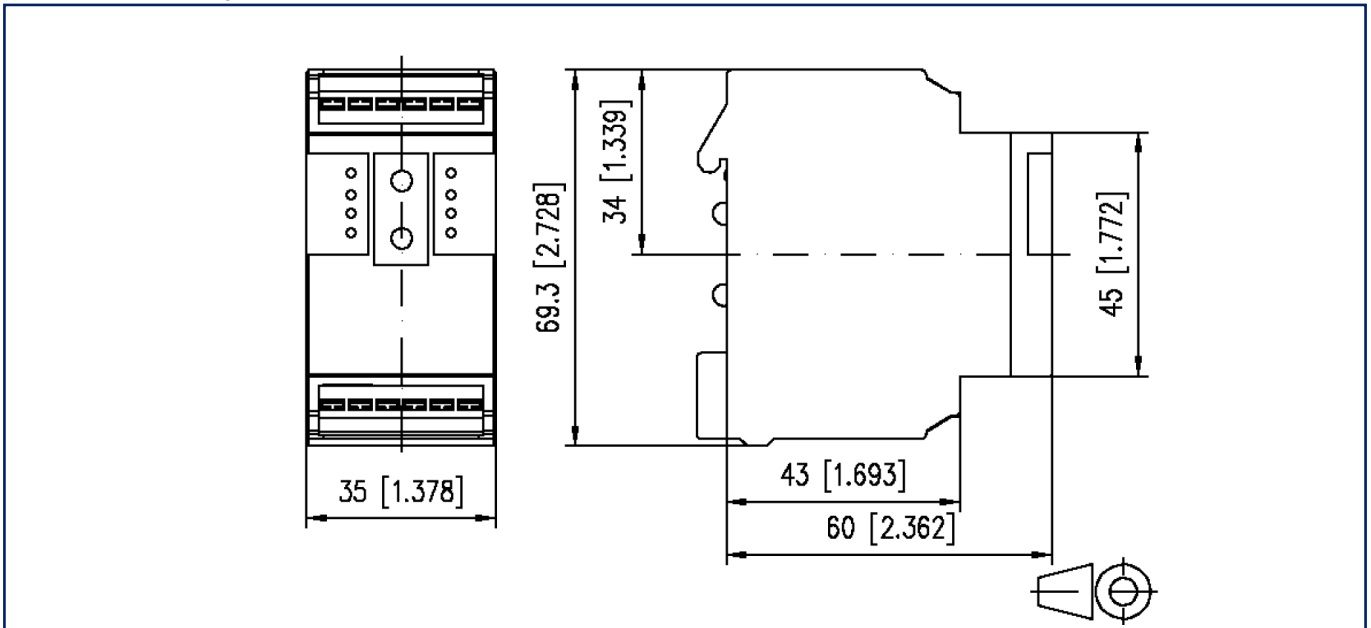
P/N
110852132170
EAN 4251394620619
2026/02/02
Version: I**Accessories**

P/N	Designation
110214	U10 USB Network Interface - TP/FT-10 Channel
110369	Terminal block Type 259
11056170	Power supply NG4-F 24 V DC
11087913	LF-FAM LON
31135104	Typ 135 RIACON 135_3.5

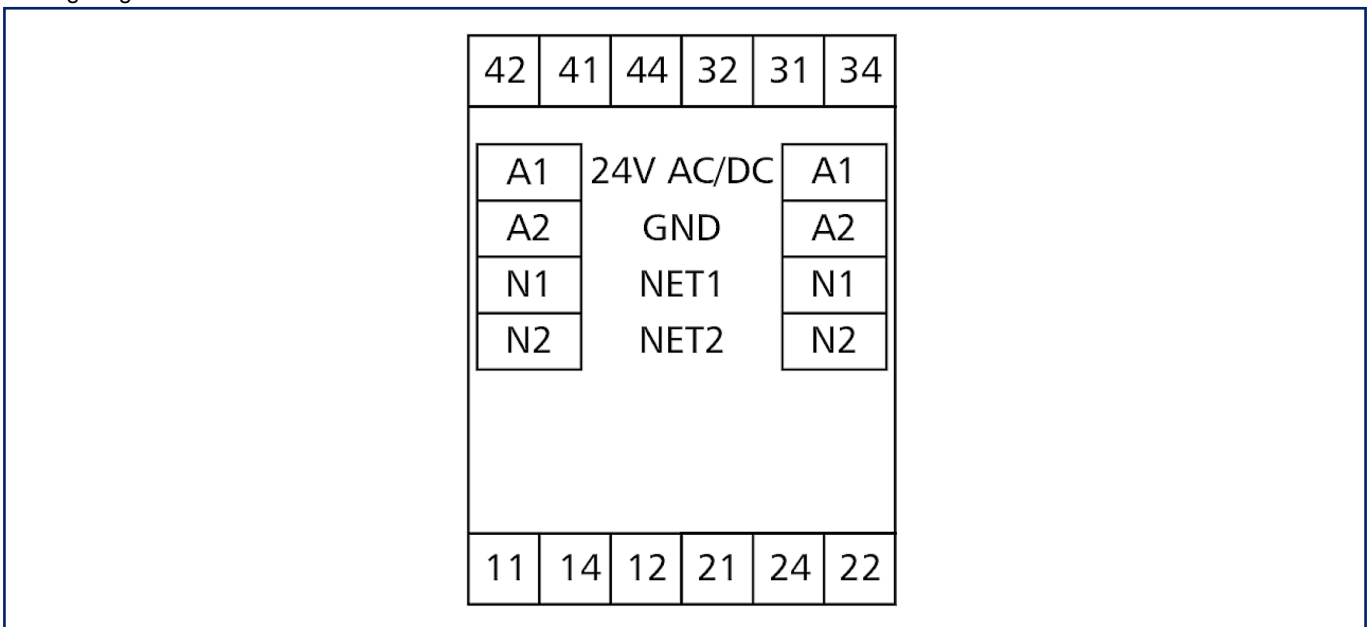


Illustrations

Dimensional drawing



Wiring diagram



Data sheet
LF-F-DO4 LON

Page 7/7

P/N
110852132170
EAN 4251394620619
2026/02/02
Version: I

Illustrations

Principle diagram

