

Data sheet

MR-F-AO4 Modbus RTU

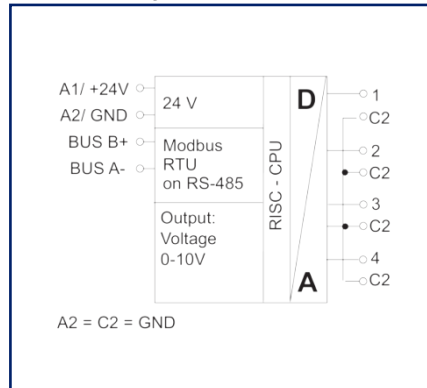
Page 1/8

P/N
110835130270
EAN 4251394610061
2025/12/22
Version: G

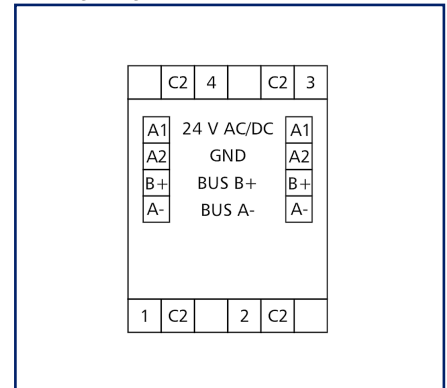
Illustrations



Principle diagram



Wiring diagram



See enlarged drawings at the end of document

Product specification

The Modbus module with 4 analog outputs was developed for decentralized switching tasks. It is suitable as encoder for control variables, for example for electrical vent and mixing valves, valve positions, etc. The outputs can be output by means of standard registers via a Modbus master. Module address, bit rate and parity are set with 2 rotary switches on the front or by software. Suitable for decentralized mounting on DIN TH35 rail according to IEC 60715 in electrical distribution cabinets.

- Connection with spring clamp terminal blocks (push-in)

Data sheet
MR-F-AO4 Modbus RTU

P/N
110835130270
EAN **4251394610061**
2025/12/22
Version: G

Technical Data

Approvals



Open Energy Management Equipment 34TZ

RS485 interface

Protocol	Modbus RTU
Address range	00 - 99
Bus interface	RS485 two wire bus with potential equalization in bus or line topology terminate with 120 Ohm
Transmission parameters	
Transmission rate	min. 1200 Bit/s (Bd) max. 115200 Bit/s (Bd)
Transmission rate default setting	19200 Bit/s (Bd)
Parity	Odd Even (default setting) None
Stopbits	1 (default setting) 2

Supply

Operating voltage	24 V AC/DC +/- 10 % (SELV)
Power consumption	
Power consumption AC (max.)	50 mA
Power consumption DC (max.)	20 mA
Duty cycle relative	100 %

Outputs

Analog outputs	4
Voltage range	
Resolution voltage output	0 V - 10 V DC
Resolution voltage output	0.3125 mV / digit
Error voltage output	100 mV
Continuous current voltage output	5 mA at 10 V DC

MR-F-AO4 Modbus RTU

P/N

110835130270

EAN 4251394610061

2025/12/22

Version: G

Technical Data

Housing

Dimensions

Dimension (W x H x D) 35 mm x 69.3 mm x 60 mm

Dimension (W x H x D) 1.378 in. x 2.728 in. x 2.362 in.

Weight 72 g

Mounting style Standard rail TH35

Mounting position any

Apposition without distance
The maximum quantity of Modbus modules connected side-by-side is limited to 15 or to a maximum power consumption of 2 Amps (AC or DC) per connection to the power supply. For any similar block of additional modules a separate connection to the power supply is necessary.

Connection type Spring clamp terminal blocks

Indicator green and red LED

Terminal blocks

Supply and bus

Terminal block 4-pole

Solid wire (AWG) max. 1.5 mm² / max. 16 AWG

Stranded wire (AWG) max. 1 mm² / max. 18 AWG

Wire diameter min. 0.3 mm
max. 1.4 mm

Module connection

Wire cross section solid 0.2 mm² - 2.5 mm² / AWG 24-14

Wire cross section multi 0.25 mm² - 2.5 mm² / AWG 24-12

Wire cross section with wire ferrule 0.25 mm² - 1.5 mm² / AWG 24-16

Stripping length (min.) 8 mm

Protection circuit Polarity reversal protection for DC operating voltage
Protection against interchanging power supply and bus

Material

Color gray

Material - Terminal block Polyamid 6.6 V0

Material - Covers Polycarbonat



MR-F-AO4 Modbus RTU

P/N

110835130270

EAN 4251394610061

2025/12/22

Version: G

Technical Data**Protection category according to IEC 60529**

Protection category - housing (acc. to IEC 60529)	IP40
Protection category - terminal blocks (acc. to IEC 60529)	IP20

Climatic Data

Operating

Temperature - Operating °C -5 °C - 55 °C

Temperature - Operating °F 23 °F - 131 °F

Relative humidity max. 85 % non-condensing

Storage

Temperature - Storage °C -20 °C - 70 °C

Temperature - Storage °F -4 °F - 158 °F

Classifications

ETIM 7.0	EC001096
ETIM 8.0	EC001096
ETIM 9.0	EC001096
ETIM 10.0	EC001096

Software and additional documents

Software and documentation	Further documentation is available for free download at www.metz-connect.com
----------------------------	--

Application note

This product is a standard product of METZ CONNECT. METZ CONNECT is not aware of the specific intended use of the goods by the Customer or any customers of the Customer. The Customer guarantees that it has fully and sufficiently tested the use of the goods and any product modifications, product changes or product enhancements with regard to the specific intended use in accordance with the state of the art or in any other way. At METZ CONNECT's request, the Customer shall submit and make available meaningful evidence (e.g. test and laboratory protocols, certifications, etc.).



Data sheet

Page 5/8

MR-F-AO4 Modbus RTU

P/N

110835130270

EAN 4251394610061

2025/12/22

Version: G

Accessories

P/N	Designation
110369	Terminal block Type 259
11056170	Power supply NG4-F 24 V DC
11080101	USB/RS485 Converter
31135104	Typ 135 RIACON 135_3.5

Data sheet

Page 6/8

MR-F-AO4 Modbus RTU

P/N

110835130270

EAN 4251394610061

2025/12/22

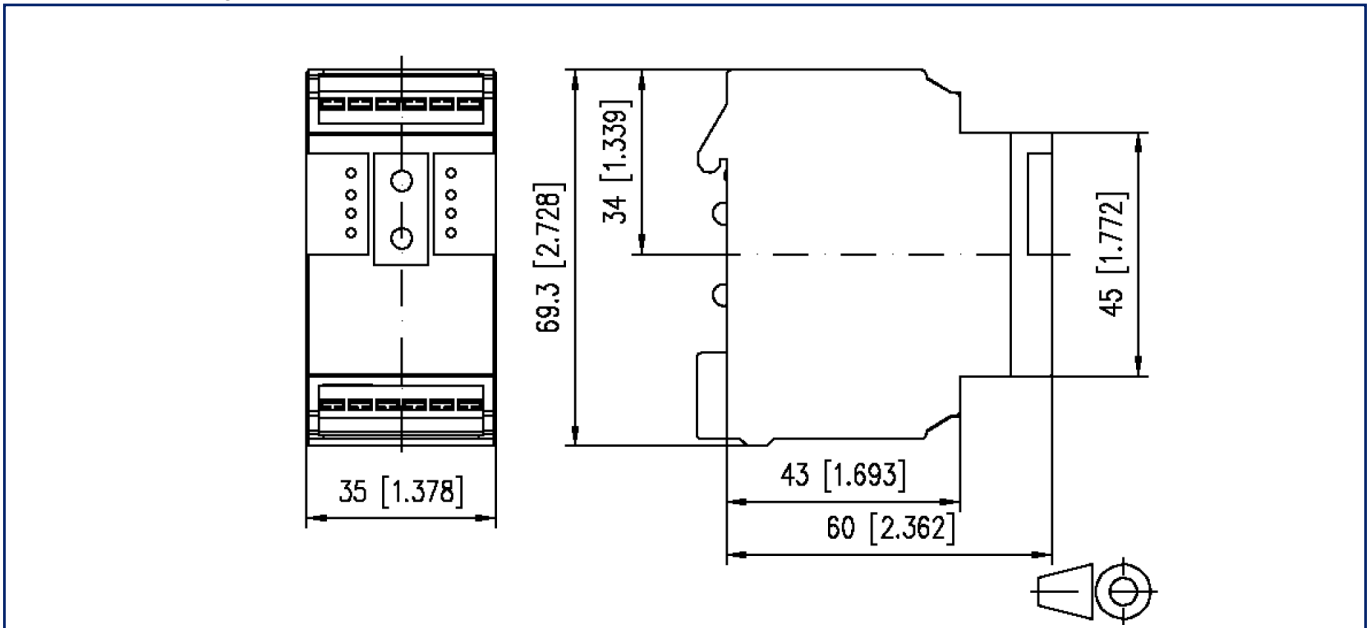
Version: G

Accessories from

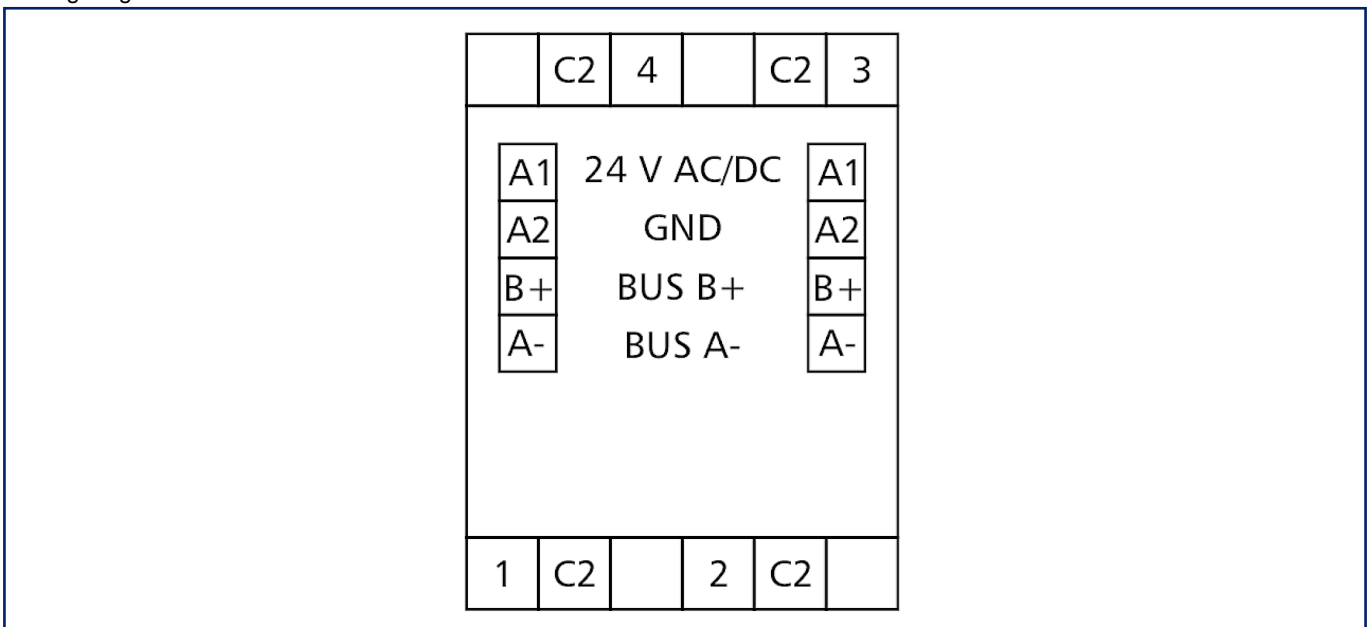
P/N	Designation
11083001	MR-GW Modbus RTU / Modbus TCP Gateway
1108300170	MR-F-GW Modbus RTU / Modbus TCP Gateway

Illustrations

Dimensional drawing



Wiring diagram



Illustrations

Principle diagram

