

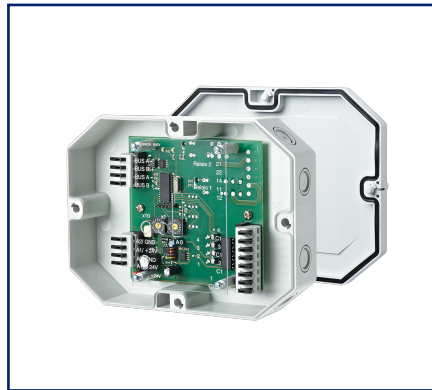
# Data sheet

## MR-DI4-IP65 Modbus RTU

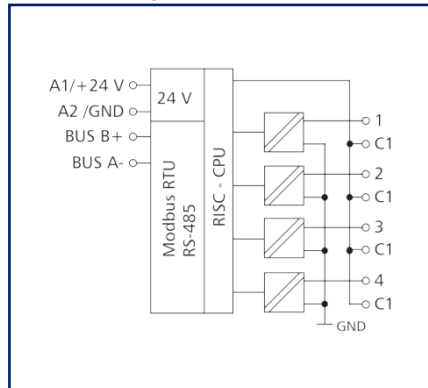
Page 1/6

P/N  
1108341319IP  
EAN 4251122179211  
2025/08/19  
Version: K

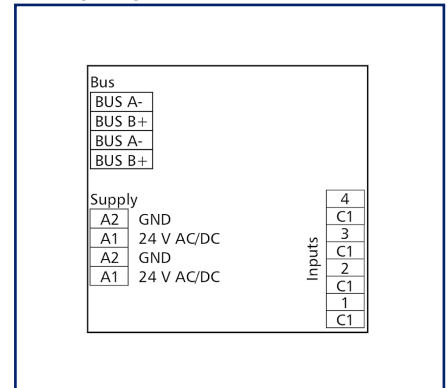
### Illustrations



Principle diagram



Wiring diagram



See enlarged drawings at the end of document

### Product specification

The Modbus module in an IP65 housing with 4 digital inputs was developed for decentralized switching tasks. It is suitable for detecting potential-free switch states from electrical limit switches and their external status display such as fire dampers or vent valves. The inputs can be operated by means of potential-free switches or contacts or used as voltage inputs. The inputs can be scanned by means of standard registers via a Modbus master. Module address, bit rate and parity are set with two rotary switches or by software.

# MR-DI4-IP65 Modbus RTU

P/N

1108341319IP

EAN 4251122179211

2025/08/19

Version: K

## Technical Data

RS485 interface	
Protocol	Modbus RTU
Address range	00 - 99
Bus interface	RS485 two wire bus with potential equalization in bus or line topology terminate with 120 Ohm
Transmission parameters	
Transmission rate	min. 1200 Bit/s (Bd) max. 115200 Bit/s (Bd)
Transmission rate default setting	19200 Bit/s (Bd)
Parity	Odd Even (default setting) None
Stopbits	1 (default setting) 2
Supply	
Operating voltage	24 V AC/DC +/- 10 % (SELV)
Power consumption	
Power consumption AC (max.)	50 mA
Power consumption DC (max.)	20 mA
Duty cycle relative	100 %
Inputs	
Digital inputs	4
Voltage input	30 V AC/DC
High signal detection	> 7 V AC/DC
Housing	
Dimensions	
Dimension (W x H x D)	160 mm x 40.7 mm x 120 mm
Dimension (W x H x D)	6.299 in. x 1.602 in. x 4.724 in.
Weight	300 g
Mounting style	directly on a flat surface, 8 knock-out openings for M12 and M16 cable glands
Mounting position	any
Connection type	Spring clamp terminal blocks
Indicator	green, red and yellow LED

# MR-DI4-IP65 Modbus RTU

P/N

1108341319IP

EAN 4251122179211

2025/08/19

Version: K

## Technical Data

### Terminal blocks

#### Supply and bus

Terminal block	4-pole
Solid wire (AWG)	max. 1.5 mm <sup>2</sup> / max. 16 AWG
Stranded wire (AWG)	max. 1 mm <sup>2</sup> / max. 18 AWG
Wire diameter	min. 0.3 mm max. 1.4 mm

#### Module connection

Wire cross section solid	0.2 mm <sup>2</sup> - 1.5 mm <sup>2</sup> / AWG 28-18
Wire cross section multi	0.08 mm <sup>2</sup> - 0.75 mm <sup>2</sup> / AWG 28-18
Wire cross section with wire ferrule	0.08 mm <sup>2</sup> - 0.75 mm <sup>2</sup> / AWG 28-20
Stripping length (min.)	4 mm

Protection circuit	Polarity reversal protection for DC operating voltage Protection against interchanging power supply and bus
--------------------	--

### Material

Color	gray
Material - Terminal block	Polyamid 6.6 V0
Material - Covers	Polycarbonat

### Protection category according to IEC 60529

Protection category - housing (acc. to IEC 60529)	IP65
Protection category - terminal blocks (acc. to IEC 60529)	IP20

### Climatic Data

#### Operating

Temperature - Operating °C	-5 °C - 55 °C
Temperature - Operating °F	23 °F - 131 °F
Relative humidity	max. 85 % non-condensing

#### Storage

Temperature - Storage °C	-20 °C - 70 °C
Temperature - Storage °F	-4 °F - 158 °F



Data sheet

Page 4/6

**MR-DI4-IP65 Modbus RTU**

P/N

1108341319IP

EAN 4251122179211

2025/08/19

Version: K

**Technical Data****Classifications**

ETIM 7.0	EC000688
ETIM 8.0	EC000688
ETIM 9.0	EC000688
ETIM 10.0	EC000688

**Software and additional documents**

Software and documentation

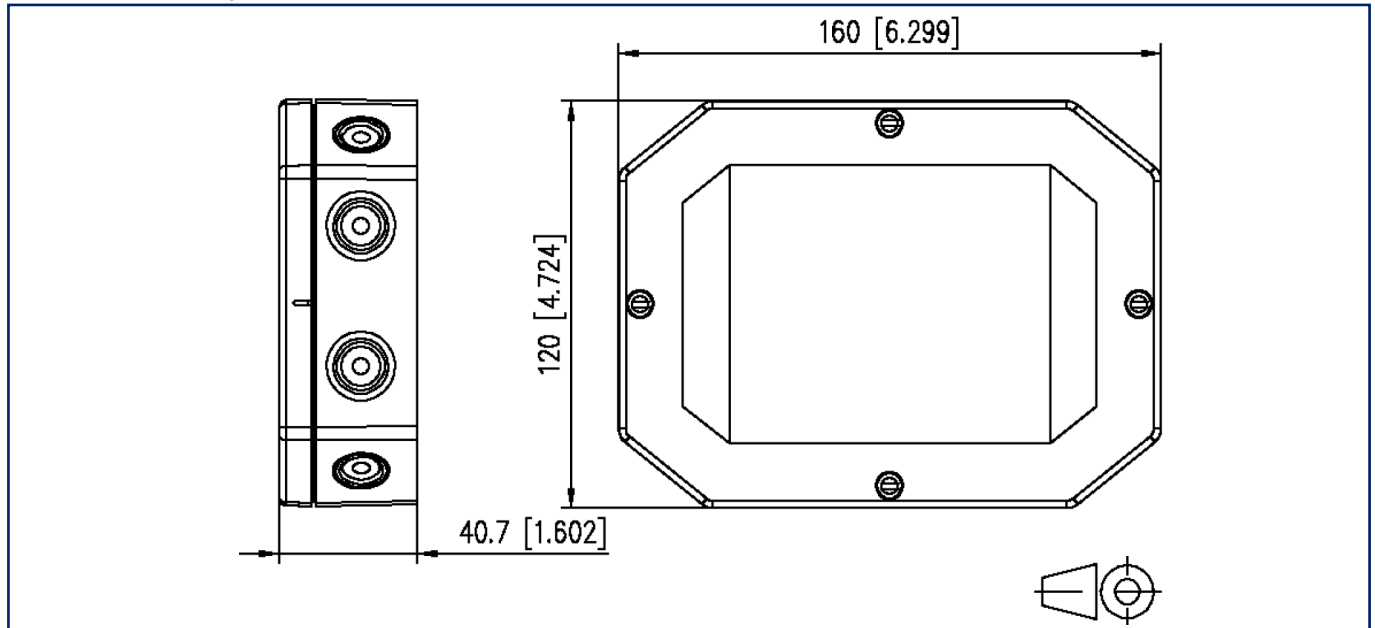
Further documentation is available for free download at [www.metz-connect.com](http://www.metz-connect.com)**Application note**

This product is a standard product of METZ CONNECT. METZ CONNECT is not aware of the specific intended use of the goods by the Customer or any customers of the Customer. The Customer guarantees that it has fully and sufficiently tested the use of the goods and any product modifications, product changes or product enhancements with regard to the specific intended use in accordance with the state of the art or in any other way. At METZ CONNECT's request, the Customer shall submit and make available meaningful evidence (e.g. test and laboratory protocols, certifications, etc.).

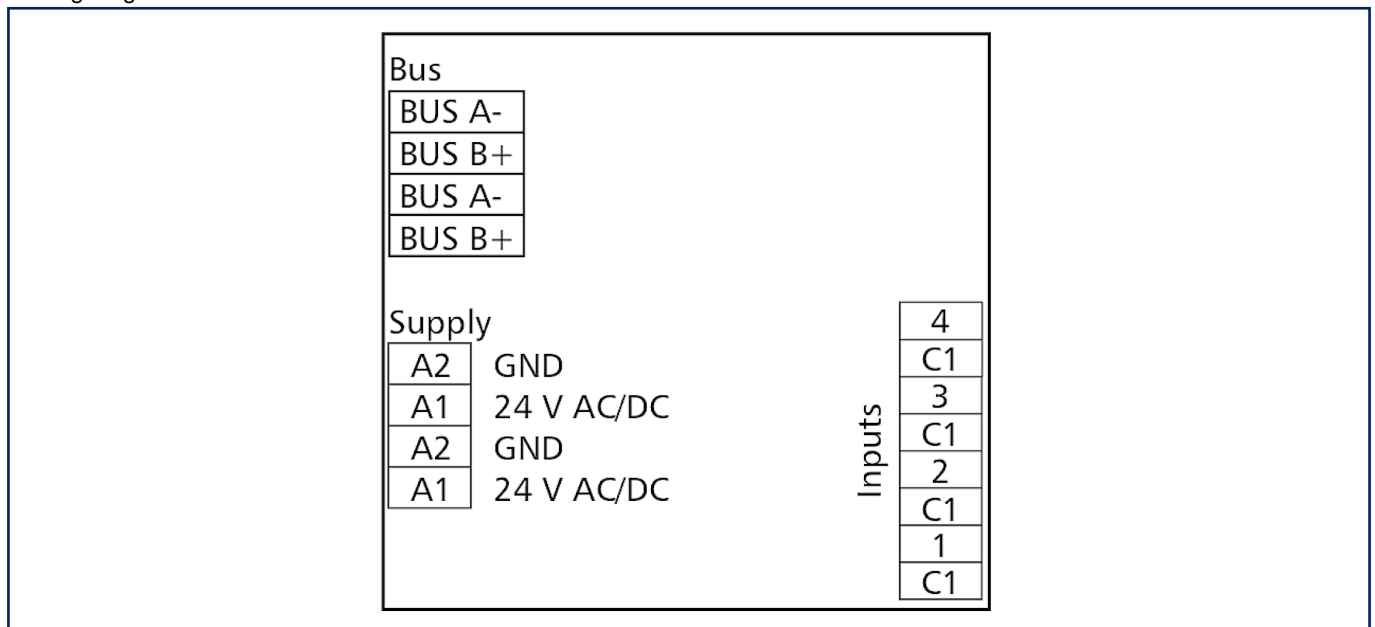


## Illustrations

### Dimensional drawing



### Wiring diagram



**Illustrations**

Principle diagram

