

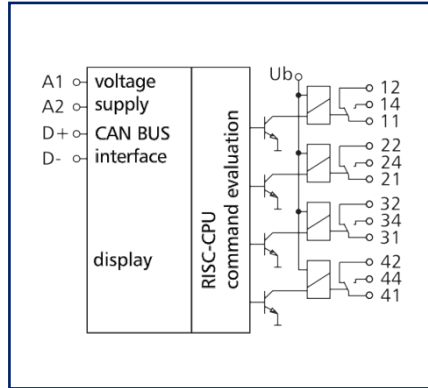
Data sheet

FRAS-F 4/21 24 V AC/DC CAN

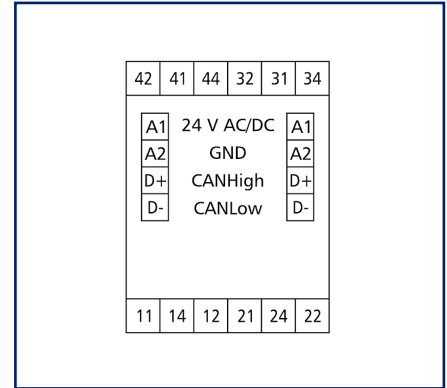
Illustrations



Principle diagram



Wiring diagram



See enlarged drawings at the end of document

Product specification

CAN module with 4 digital outputs. It is suitable for switching electrical components, for example motors, contactors, lamps, louvers, etc. With strong inductive loads, we recommend protecting the relay contacts additionally with an RC element. The fieldbus module is an input module for universal use. It is controlled by means of the CAN bus. The module is addressed by means of an adjustable address. Data bytes transmit whether data are queried or commands are executed. If there is a digital input module with the same address in the system, the module can be operated by remote control.

- Connection with spring clamp terminal blocks (push-in)

Data sheet
FRAS-F 4/21 24 V AC/DC CAN

Page 2/7

P/N
110570132170
EAN **4251394610078**
2025/12/22
Version: I

Technical Data

RS485 interface

Protocol	CAN
Address range	00 - 99
Bus interface	2.0B passive (two wire bus)
Transmission parameters	
Transmission rate	min. 20 Kbit/s max. 500 Kbit/s
Transmission rate default setting	125 Kbit/s

Supply

Operating voltage	24 V AC/DC +/- 10 % (SELV)
Power consumption	
Power consumption AC (max.)	205 mA
Power consumption DC (max.)	67 mA
Duty cycle relative	100 %
Recovery time	550 ms

Outputs

Digital outputs	4 changeover contacts
Switching voltage (max.)	250 V AC
Continuous current	5 A
Total current across all outputs	12 A
Contact material	AgNi
Switching frequency	360 switching cycles/h
Mechanical life	1x10 ⁷ switching cycles
Electrical life	1x10 ⁵ switching cycles

Isolation

Nominal voltage of the power supply system	230 / 400 V AC
Overvoltage category	III II
Degree of pollution	2 2
Rated test voltage	4 kV 2.5 kV
Type of insulation	basic insulation reinforced insulation

Technical Data

Housing

Dimensions

Dimension (W x H x D)	35 mm x 69.3 mm x 60 mm
Dimension (W x H x D)	1.378 in. x 2.728 in. x 2.362 in.
Weight	104 g
Mounting style	Standard rail TH35
Mounting position	any
Connection type	Spring clamp terminal blocks
Indicator	green, red and yellow LED

Terminal blocks

Supply and bus

Terminal block	4-pole
Solid wire (AWG)	max. 1.5 mm ² / max. 16 AWG
Stranded wire (AWG)	max. 1 mm ² / max. 18 AWG
Wire diameter	min. 0.3 mm max. 1.4 mm

Module connection

Wire cross section solid	0.2 mm ² - 2.5 mm ² / AWG 24-14
Wire cross section multi	0.25 mm ² - 2.5 mm ² / AWG 24-12
Wire cross section with wire ferrule	0.25 mm ² - 1.5 mm ² / AWG 24-16
Stripping length (min.)	8 mm
Protection circuit	Polarity reversal protection for DC operating voltage

Material

Color	gray
Material - Terminal block	Polyamid 6.6 V0
Material - Covers	Polycarbonat

Protection category according to IEC 60529

Protection category - housing (acc. to IEC 60529)	IP40
Protection category - terminal blocks (acc. to IEC 60529)	IP20



Technical Data

Climatic Data

Operating

Temperature - Operating °C	-5 °C - 55 °C
----------------------------	---------------

Temperature - Operating °F	23 °F - 131 °F
----------------------------	----------------

Relative humidity	max. 85 % non-condensing
-------------------	--------------------------

Storage

Temperature - Storage °C	-20 °C - 70 °C
--------------------------	----------------

Temperature - Storage °F	-4 °F - 158 °F
--------------------------	----------------

Classifications

ETIM 7.0	EC001097
----------	----------

ETIM 8.0	EC001097
----------	----------

ETIM 9.0	EC001097
----------	----------

ETIM 10.0	EC001097
-----------	----------

Software and additional documents

Software and documentation	Further documentation is available for free download at www.metz-connect.com
----------------------------	--

Application note

This product is a standard product of METZ CONNECT. METZ CONNECT is not aware of the specific intended use of the goods by the Customer or any customers of the Customer. The Customer guarantees that it has fully and sufficiently tested the use of the goods and any product modifications, product changes or product enhancements with regard to the specific intended use in accordance with the state of the art or in any other way. At METZ CONNECT's request, the Customer shall submit and make available meaningful evidence (e.g. test and laboratory protocols, certifications, etc.).



Data sheet

Page 5/7

FRAS-F 4/21 24 V AC/DC CAN

P/N

110570132170

EAN 4251394610078

2025/12/22

Version: I

Accessories

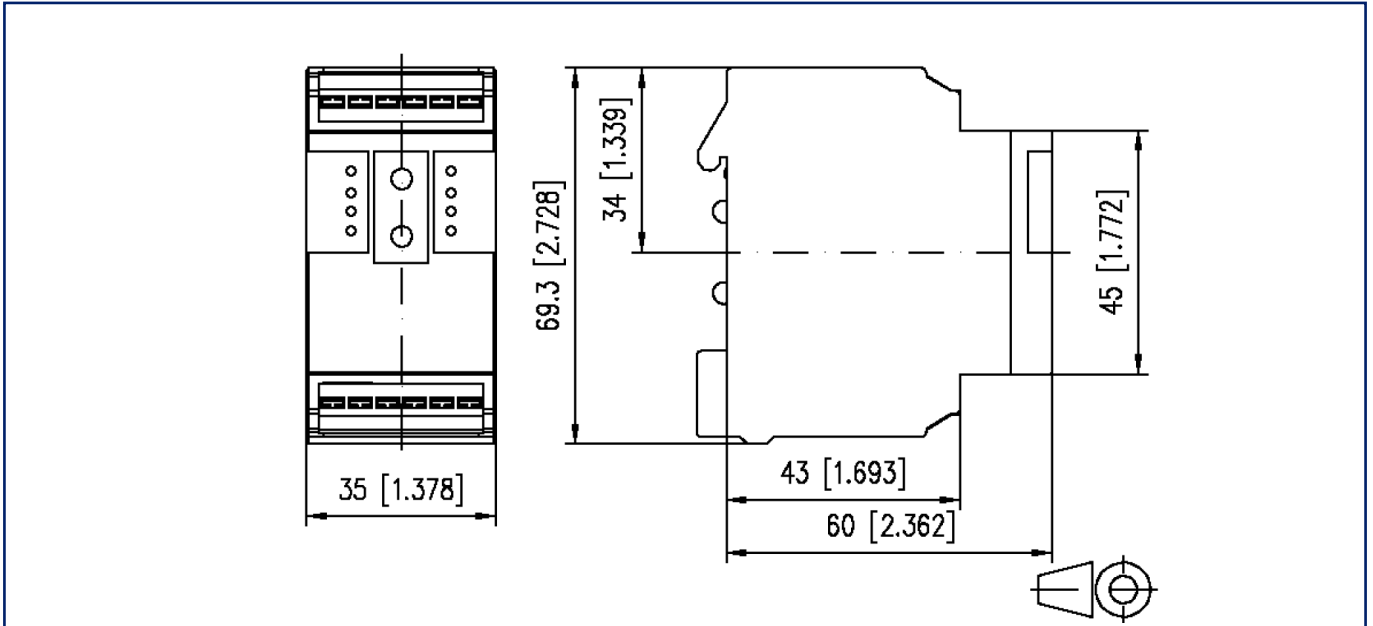
P/N	Designation
110369	Terminal block Type 259
11056170	Power supply NG4-F 24 V DC
31135104	Typ 135 RIACON 135_3.5



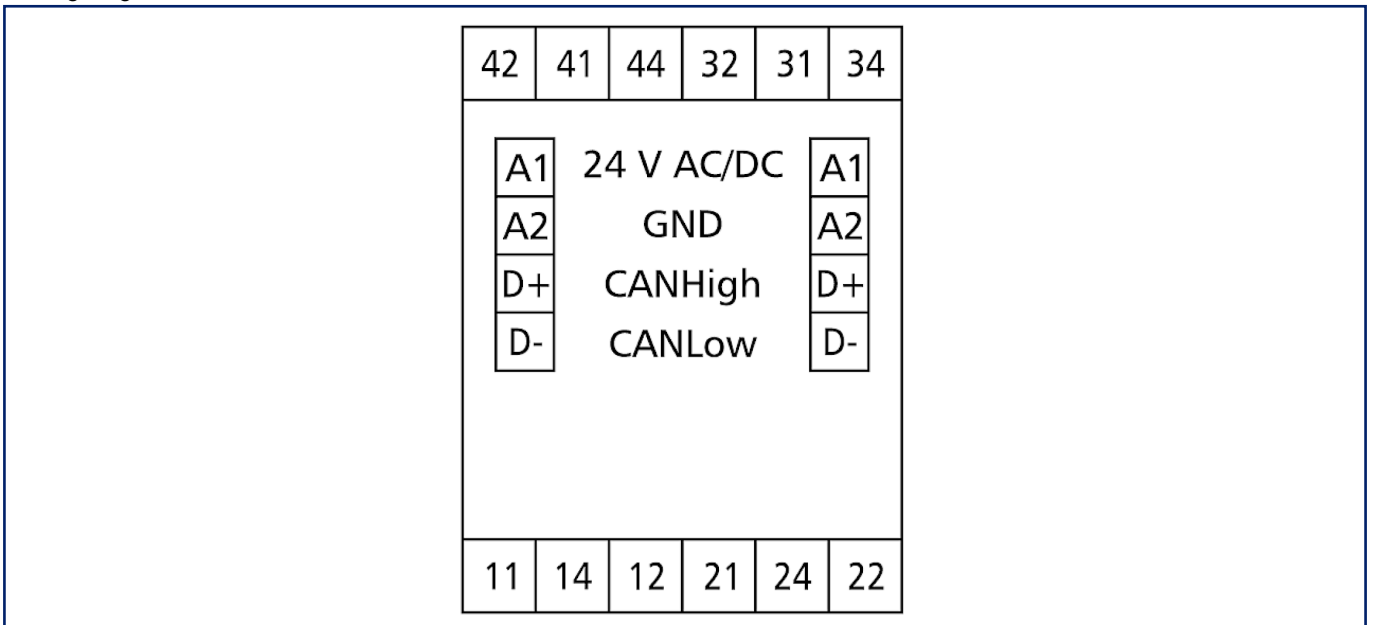
Data sheet
FRAS-F 4/21 24 V AC/DC CAN

Illustrations

Dimensional drawing



Wiring diagram



Illustrations

Principle diagram

