

Data sheet

T/M-F 4

Page 1/8

P/N

11056270

EAN 4251394620909

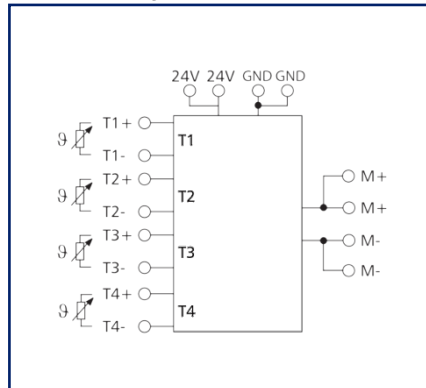
2026/02/02

Version: K

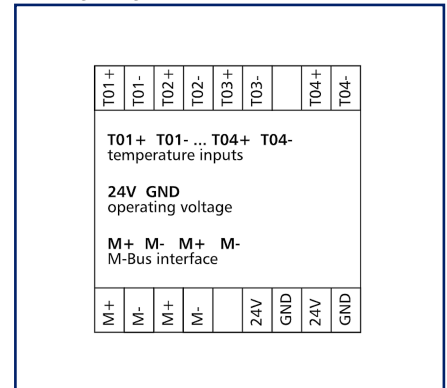
Illustrations



Principle diagram



Wiring diagram



See enlarged drawings at the end of document

Product specification

Temperature converter to connect up to 4 different resistance temperature sensors in dual cable technology with a resolution in 0.1 K. The addressing of the 4 temperature sensors is done via 4 M-Bus addresses according to M-Bus standard DIN EN-1434-3. The temperature is directly converted in the device. The temperature converter occupies 4 clear M-Bus addresses specified by the manufacturer. It is possible to set for each channel 1 of 11 stored temperature sensor characteristics with the M-Bus configuration tool (www.metz-connect.com) or to transmit the resistance value directly. The cable length compensation is done with the push-button assigned to the respective temperature input. The factory setting is: -30 °C to 130 °C / PT1000.

- Connection with spring clamp terminal blocks (push-in)



Data sheet
T/M-F 4

Page 2/8

P/N
11056270
EAN 4251394620909
2026/02/02
Version: K

Technical Data

Selectable characteristics

Sensor (-30 °C to 130 °C)	PT100 PT500 PT1000 Ni100 Ni1000 NTC1k8 NTC10k NTC20k KTY10
Sensor (0 °C to 400 °C)	PT100 PT1000
Resistance value	Index = 1 (all sensors)

M-Bus protocol

Protocol	M-Bus
Bus interface	two-wire bus
Transmission rate	300 Bit/s (Bd) 2400 Bit/s (Bd) 9600 Bit/s (Bd)
Transmission rate default setting	2400 Bit/s (Bd)

Supply

Operating voltage	24 V DC +/- 10 % (SELV)
Power consumption	
Power consumption (max.)	50 mA

Housing

Dimensions	
Dimension (W x H x D)	50 mm x 69.3 mm x 60 mm
Dimension (W x H x D)	1.969 in. x 2.728 in. x 2.362 in.
Weight	70 g
Mounting style	Standard rail TH35
Mounting position	any
Apposition	without distance
Connection type	Spring clamp terminal blocks
Indicator	green LED

Data sheet
T/M-F 4

Page 3/8

P/N
11056270

EAN 4251394620909

2026/02/02

Version: K

Technical Data

Terminal blocks

Module connection

Wire cross section solid	0.2 mm ² - 2.5 mm ² / AWG 24-14
Wire cross section multi	0.25 mm ² - 2.5 mm ² / AWG 24-12
Wire cross section with wire ferrule	0.25 mm ² - 1.5 mm ² / AWG 24-16
Stripping length (min.)	8 mm

Material

Material - Housing	Polyamid 6.6 V0
Color	gray
Material - Terminal block	Polyamid 6.6 V0
Material - Covers	Polycarbonat

Protection category according to IEC 60529

Protection category - housing (acc. to IEC 60529)	IP40
Protection category - terminal blocks (acc. to IEC 60529)	IP20

Climatic Data

Operating

Temperature - Operating °C	-10 °C - 50 °C
Temperature - Operating °F	14 °F - 122 °F
Relative humidity	max. 85 % non-condensing

Storage

Temperature - Storage °C	-20 °C - 70 °C
Temperature - Storage °F	-4 °F - 158 °F

Classifications

ETIM 7.0	EC001102
ETIM 8.0	EC001102
ETIM 9.0	EC001102
ETIM 10.0	EC001102

Data sheet
T/M-F 4

Page 4/8

P/N

11056270

EAN 4251394620909

2026/02/02

Version: K

Technical Data

Software and additional documents

Software and documentation

Further documentation is available for free download at www.metz-connect.com

Application note

This product is a standard product of METZ CONNECT. METZ CONNECT is not aware of the specific intended use of the goods by the Customer or any customers of the Customer. The Customer guarantees that it has fully and sufficiently tested the use of the goods and any product modifications, product changes or product enhancements with regard to the specific intended use in accordance with the state of the art or in any other way. At METZ CONNECT's request, the Customer shall submit and make available meaningful evidence (e.g. test and laboratory protocols, certifications, etc.).



Data sheet
T/M-F 4

Page 5/8

P/N

11056270

EAN 4251394620909

2026/02/02

Version: K

Accessories

P/N	Designation
11056170	Power supply NG4-F 24 V DC



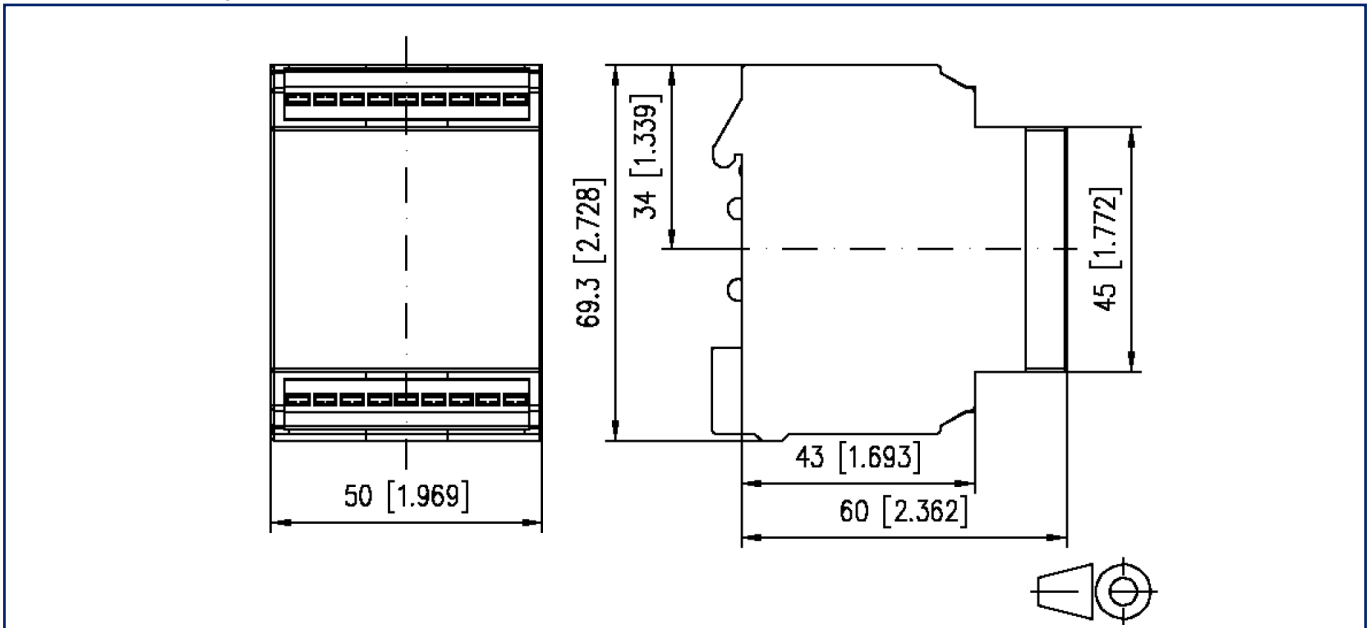
Accessories from

P/N	Designation
110930	EWIO ₂ -M M-Bus
110931	EWIO ₂ -MW M-Bus / WLAN
110934	EWIO ₂ -MW-BM M-Bus / WLAN / BACnet / Modbus
110935	EWIO ₂ -M-BM M-Bus / BACnet / Modbus

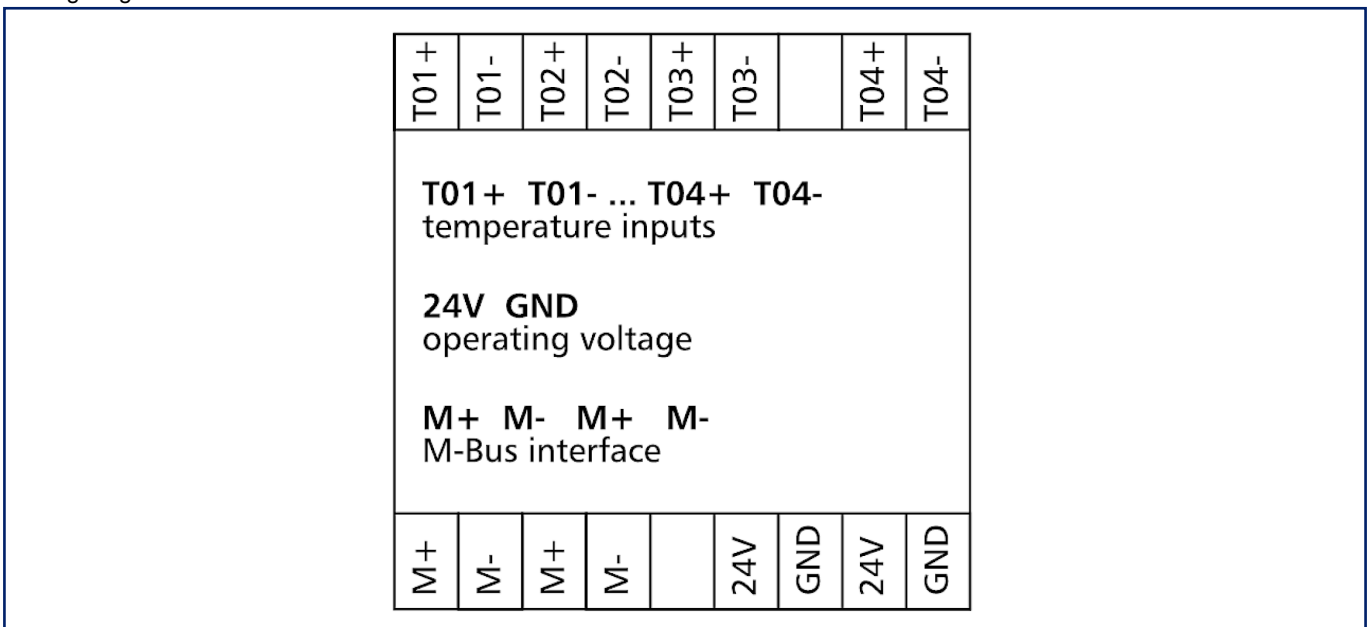


Illustrations

Dimensional drawing



Wiring diagram



Illustrations

Principle diagram

