

Data sheet
DUW-F-C12

Page 2/6

P/N
11027170
EAN 4251394620473
2025/12/22
Version: M

Technical Data

Supply

Operating voltage	3N 400/230 V -10% ... +10%
Frequency range	50 Hz
Consumption	80 mA
Recovery time	< 300 ms

Inputs

Threshold voltage fixed	fixed, 195 V AC (UN x 0,85)
Basic accuracy	+/- 4 %
Repeatability	+/- 1 %
Monitoring voltage (L1, L2, L3)	3 x 230/400 V AC, 50 Hz
Dropout voltage	< 85 % of supply voltage
Shutter release delay	fixed, approx. 100 ms
Switching hysteresis	fixed, approx. 5 %
Temperature error	0.1 %/°C

Outputs

Contacts	2 changeover contacts
Contact material	AgNi
Switching voltage (max.)	250 V AC
Continuous Current	4 A / changeover contacts (DPDT)
Switching frequency	360 switching cycles/h
Mechanical life	3x10 ⁷ switching cycles
Electrical life	2x10 ⁵ switching cycles
Indicator	green and red LED

Insulation coil - contact set

Nominal voltage of the power supply system	230 / 400 V AC
Overvoltage category	III II
Degree of pollution	2 2
Rated test voltage	4 kV 2.5 kV
Type of insulation	basic insulation reinforced insulation

Data sheet
DUW-F-C12

Page 3/6

P/N
11027170
EAN 4251394620473
2025/12/22
Version: M

Technical Data

Housing	
Dimensions	
Dimension (W x H x D)	35 mm x 69.3 mm x 60 mm
Dimension (W x H x D)	1.378 in. x 2.728 in. x 2.362 in.
Weight	110 g
Mounting style	Standard rail TH35
Mounting position	any
Apposition	without distance
Connection type	Spring clamp terminal blocks
Terminal blocks	
Wire cross section solid	0.2 mm ² - 2.5 mm ² / AWG 24-14
Wire cross section multi	0.25 mm ² - 2.5 mm ² / AWG 24-12
Wire cross section with wire ferrule	0.25 mm ² - 1.5 mm ² / AWG 24-16
Stripping length (min.)	8 mm
Material	
Material - Housing	Polyamid 6.6 V0
Color	gray
Material - Terminal block	Polyamid 6.6 V0
Material - Covers	Polycarbonat
Protection category according to IEC 60529	
Protection category - housing (acc. to IEC 60529)	IP40
Protection category - terminal blocks (acc. to IEC 60529)	IP20
Climatic Data	
Operating	
Temperature - Operating °C	-5 °C - 55 °C
Temperature - Operating °F	23 °F - 131 °F
Relative humidity	max. 85 % non-condensing
Storage	
Temperature - Storage °C	-20 °C - 70 °C
Temperature - Storage °F	-4 °F - 158 °F

Data sheet
DUW-F-C12

Page 4/6

P/N

11027170

EAN 4251394620473

2025/12/22

Version: M

Technical Data**Power loss**

Power loss (typical) 2.3 W

Classifications

ETIM 7.0 EC001441

ETIM 8.0 EC001441

ETIM 9.0 EC001441

ETIM 10.0 EC001441

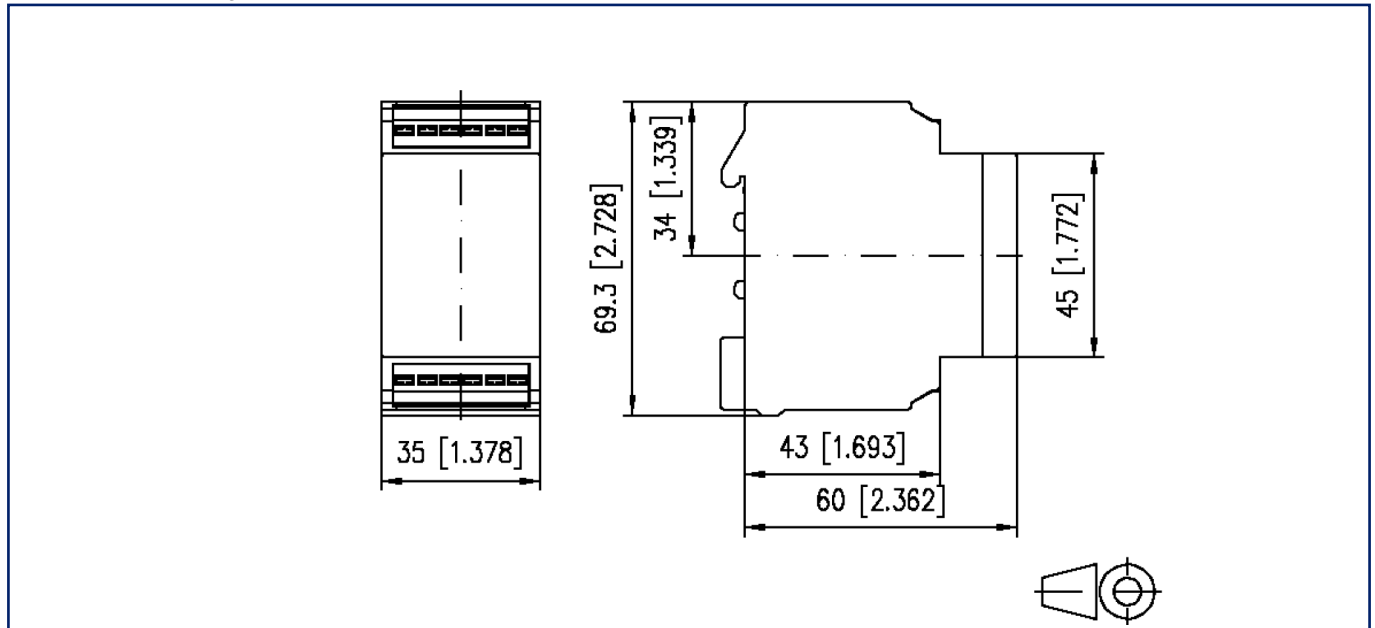
Application note

This product is a standard product of METZ CONNECT. METZ CONNECT is not aware of the specific intended use of the goods by the Customer or any customers of the Customer. The Customer guarantees that it has fully and sufficiently tested the use of the goods and any product modifications, product changes or product enhancements with regard to the specific intended use in accordance with the state of the art or in any other way. At METZ CONNECT's request, the Customer shall submit and make available meaningful evidence (e.g. test and laboratory protocols, certifications, etc.).

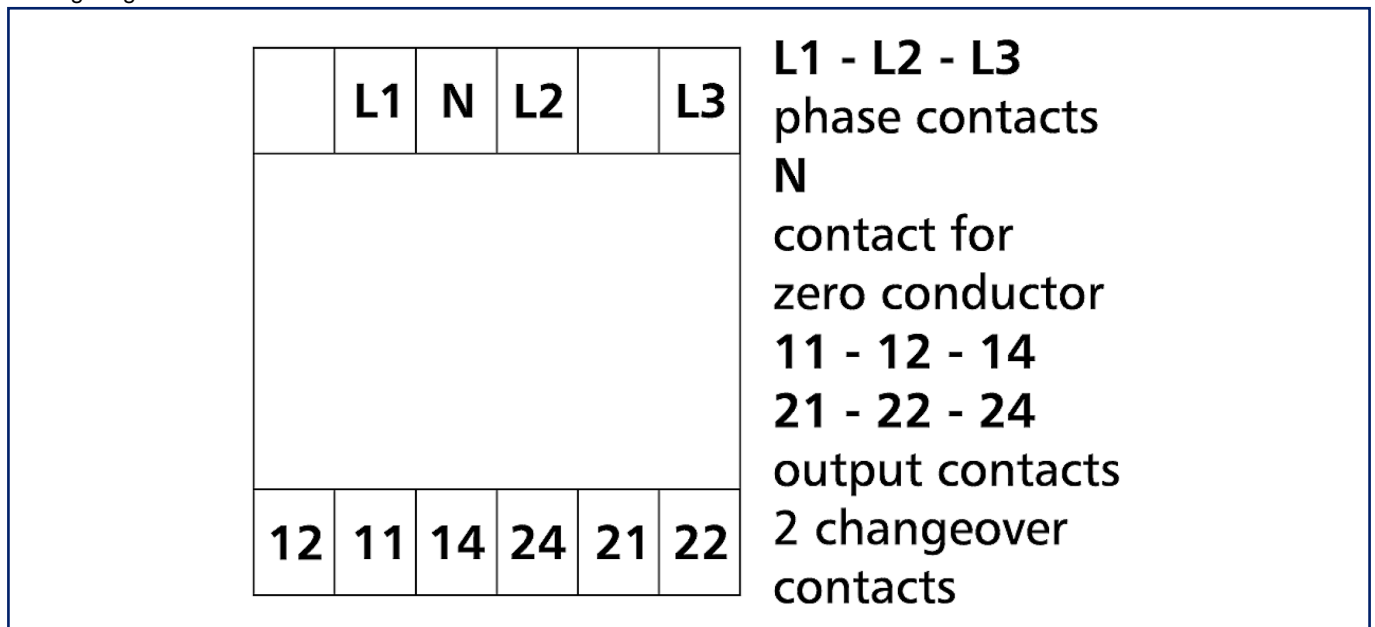


Illustrations

Dimensional drawing

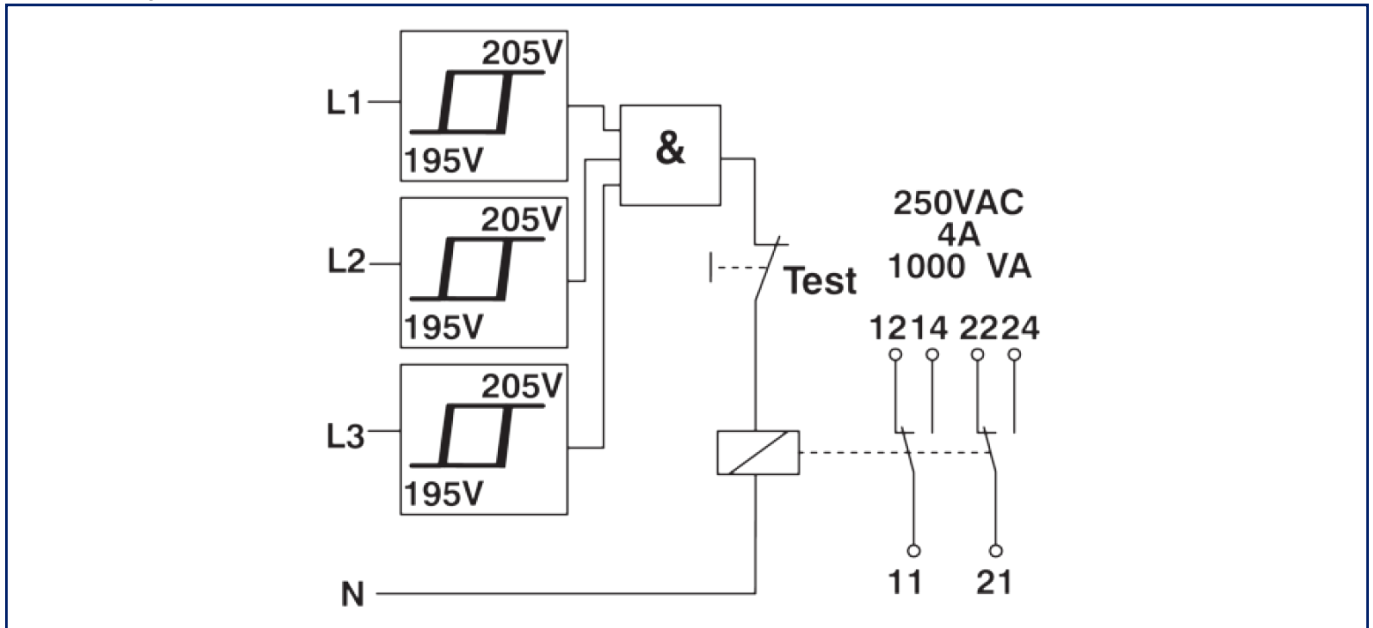


Wiring diagram



Illustrations

Principle diagram



Function diagram

