

# Data sheet

## Patch cord Cat.6 Ultraflex500 VoIP AWG 26 0.5 m black

Page 1/8

P/N  
13084U0500-E  
EAN 4251394668819  
2025/07/01  
Version: E

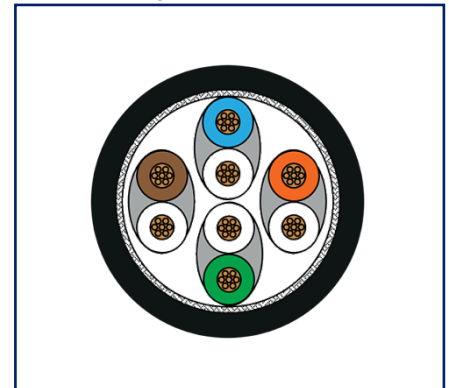
### Illustrations



Dimensional drawing



Principle diagram



See enlarged drawings at the end of document

### Product specification

- ideal solution in case of limited space
- especially suitable for shielded and unshielded class E<sub>A</sub> systems
- fully shielded Cat.6 patch cord AWG 26/7
- two shielded RJ45 connectors, 1:1 assignment
- cable type: S/FTP 4x2xAWG 26/7 PIMF
- cable sheath: PUR
- very short cable boot
- especially suitable for VoIP terminal devices
- bending radius of up to 10 mm possible
- considerably longer durability than standard patch cords
- up to 8500 movement cycles possible under load

Data sheet

Page 2/8

**Patch cord Cat.6 Ultraflex500 VoIP  
AWG 26 0.5 m black**

P/N  
13084U0500-E  
EAN 4251394668819  
2025/07/01  
Version: E

**Technical Data**

**General Data**

|   |   |
|---|---|
| Fields of application                         | structured building cabling<br>Consolidation points<br>office areas<br>Distributed building services<br>data center<br>Tertiary |
| Mechanical measurement according to MICE      | M1  |
| Ingress measurement according to MICE         | I1  |
| Climatic measurement according to MICE        | C1  |
| Electromagnetic measurement according to MICE | E2  |
| Design  | patch cord  |
| Shielding                                     | shielded  |
| Transmission technology                       | Copper  |
| Cable Type                                    | S/FTP   |
| Number of twisting elements                   | 4   |
| Twisting element                              | Pair  |
| Wiring  | 1 - 1   |
| Color coding fiber/ wire(s)                   | white/orange, orange, white/green, green, white/brown, brown, white/blue, blue  |
| Color   | black   |
| <b>Dimensions</b>                             |   |
| Dimension - Interface 1 (L x W x H)           | 27.4 mm x 13.71 mm x 15.5 mm  |
| Dimension - Interface 1 (L x W x H)           | 1.079 in. x 0.54 in. x 0.61 in.   |
| Dimension - Interface 2 (L x W x H)           | 27.4 mm x 13.71 mm x 15.5 mm  |
| Dimension - Interface 2 (L x W x H)           | 1.079 in. x 0.54 in. x 0.61 in.   |
| Cable length (m)                              | 0.5 m   |
| Cable length (ft)                             | 1.64 ft   |

**Transmission characteristics**

|                 |                |
|-----------------|----------------|
| Category (ISO)  | 6              |
| Class (ISO/IEC) | E <sub>A</sub> |
| Category (TIA)  | 6              |
| Remote Powering | yes            |
| PoE             | IEEE 802.3af   |
| PoE plus        | IEEE 802.3at   |

**Patch cord Cat.6 Ultraflex500 VoIP  
AWG 26 0.5 m black**

P/N  
13084U0500-E  
EAN 4251394668819  
2025/07/01  
Version: E

**Technical Data**

**Transmission characteristics**

|  |              |
|--|--------------|
| UPoE   | yes          |
| Transmission rate up to 100 MBit (Fast Ethernet) | IEEE 802.3u  |
| Transmission rate up to 1 GBit (Fast Ethernet)   | IEEE 802.3ab |
| Transmission rate up to 10 GBit                  | IEEE 802.3an |

**Connections/interfaces**

|   |                       |
|---|-----------------------|
| Connector technology interface 1                | RJ45 plug             |
| Connector technology interface 2                | RJ45 plug             |
| Number of ports interface 1                     | 1                     |
| Number of ports interface 2                     | 1                     |
| Number of equipped ports interface 1            | 1                     |
| Number of ports interface 2 equipped            | 1                     |
| Number of positions/contacts interface 1        | 8P/8C                 |
| Number of positions/contacts interface 2        | 8P/8C                 |
| Termination data, stranded wire (min. - max.)   |                       |
| Conductor cross section, stranded wire          | AWG 26/7              |
| Conductor cross section, stranded wire          | 0.141 mm <sup>2</sup> |
| Conductor diameter, stranded wire (bare copper) | 0.47 mm - 0.51 mm     |
| Conductor diameter, stranded wire (bare copper) | 0.019 in. - 0.02 in.  |
| Core diameter (min. - max.)                     |                       |
| Core diameter                                   | 0.98 mm               |
| Core diameter                                   | 0.039 in.             |
| Cable sheath diameter (min. - max.)             |                       |
| Cable sheath diameter                           | 6 mm                  |

**Electrical characteristics**

|   |               |
|---|---------------|
| Current carrying capacity                           | max. 1 A      |
| Rated voltage                                       | max. 60 V DC  |
| Contact resistance                                  | max. 20 mOhm  |
| Through resistance                                  | max. 200 mOhm |
| Loop resistance                                     | 142 Ohm/km    |
| Insulation resistance                               | min. 100 MOhm |
| Dielectric strength conductor-conductor (primarily) | max. 500 V DC |

Data sheet

Page 4/8

**Patch cord Cat.6 Ultraflex500 VoIP  
AWG 26 0.5 m black**

P/N  
13084U0500-E  
EAN 4251394668819  
2025/07/01  
Version: E

**Technical Data**

**Electrical characteristics**

|   |               |
|---|---------------|
| Dielectric strength conductor-conductor (primarily)             | max. 500 V AC |
| Dielectric strength conductor-conductor (secondary)             | max. 500 V DC |
| Dielectric strength conductor-conductor, peak value (secondary) | max. 500 V AC |

**Mechanical data**

|  |           |
|--|-----------|
| Position/mounting of latch standard installation position        | top       |
| Bending radius without load                                      | 10 mm     |
| Bending radius without load                                      | 0.394 in. |
| Number of alternating bending cycles (mechanical resistance) at: | max. 8500 |

**Materials and material properties**

|   |                       |
|---|-----------------------|
| Material - Conductor                    | Cu (copper)           |
| Material - Conductor Insulation         | Foam-Skin Polyethylen |
| Material - Cable jacket                 | PUR                   |
| Material - Plug housing interface 1     | PC (polycarbonate)    |
| Material - Plug housing interface 2     | PC (polycarbonate)    |
| Material - Contact interface 1          | CuSn                  |
| Material - Contact interface 2          | CuSn                  |
| Material - Contact finish interface 1   | Au (gold)             |
| Material - Contact finish interface 2   | Au (gold)             |
| Material - Contact carriers interface 1 | Plastics              |
| Material - Contact carriers interface 2 | Plastics              |
| Material - Shield interface 1           | CuSn                  |
| Material - Shield interface 2           | CuSn                  |
| Material - Shield finish interface 1    | Sn                    |
| Material - Shield finish interface 2    | Sn                    |
| Material - Pair shield                  | Aluminium/Polyester   |
| Material - Main shield                  | Cu (copper) braid     |
| RoHS                                    | compliant             |

© 2025 METZ CONNECT - Technische Änderungen vorbehalten! Subject to modifications! Sous réserve de modifications techniques!

Data sheet

Page 5/8

**Patch cord Cat.6 Ultraflex500 VoIP  
AWG 26 0.5 m black**

P/N

13084U0500-E

EAN 4251394668819

2025/07/01

Version: E

**Technical Data**

**Environmental conditions**

Temperature (min. - max.)

Temperature - Storage °C -40 °C - 70 °C

Temperature - Storage °F -40 °F - 158 °F

Temperature - Operating °C -40 °C - 70 °C

Temperature - Operating °F -40 °F - 158 °F

**Standards/Regulations**

Generic cabling systems

General requirements ISO/IEC 11801-1 | DIN EN 50173-1  
ANSI/TIA-568.2-D

Office buildings ISO/IEC 11801-2 | DIN EN 50173-2  
ANSI/TIA-568.2-D

Living units ISO/IEC 11801-4 | DIN EN 50173-4  
ANSI/TIA-570-D

Data centers ISO/IEC 11801-5 | DIN EN 50173-5  
ANSI/TIA-942-B

Connectors for electronic equipment

Free and fixed connectors IEC 60603-7-51

Specification for the testing of balanced and coaxial information technology cabling

Cords as specified in ISO/IEC 11801 and related standards following to IEC 61935-2

**Classifications**

ETIM 7.0 EC001262

ETIM 8.0 EC001262

ETIM 9.0 EC001262

ETIM 10.0 EC001262

**Packing details**

Type of packaging 1 pc(s) / plastic bag

Data sheet

Page 6/8

**Patch cord Cat.6 Ultraflex500 VoIP  
AWG 26 0.5 m black**

P/N

13084U0500-E

EAN 4251394668819

2025/07/01

Version: E

**Technical Data****Application note**

This product is a standard product of METZ CONNECT. METZ CONNECT is not aware of the specific intended use of the goods by the Customer or any customers of the Customer. The Customer guarantees that it has fully and sufficiently tested the use of the goods and any product modifications, product changes or product enhancements with regard to the specific intended use in accordance with the state of the art or in any other way. At METZ CONNECT's request, the Customer shall submit and make available meaningful evidence (e.g. test and laboratory protocols, certifications, etc.).



Data sheet

Page 7/8

**Patch cord Cat.6 Ultraflex500 VoIP  
AWG 26 0.5 m black**

P/N

13084U0500-E

EAN 4251394668819

2025/07/01

Version: E

### Accessories from

| P/N           | Designation  |
|---------------|--|
| 130927-1200-E | SmartConnect Patchpanel 12 ports MC module           |
| 130927-1200KE | SmartConnect Patchpanel 12 port Keystone, unequipped |
| 130927-1600-E | SmartConnect Patchpanel 16 ports MC module           |
| 130927-2400-E | SmartConnect Patchpanel 24 ports MC module           |



Data sheet

Page 8/8

**Patch cord Cat.6 Ultraflex500 VoIP  
AWG 26 0.5 m black**

P/N

13084U0500-E

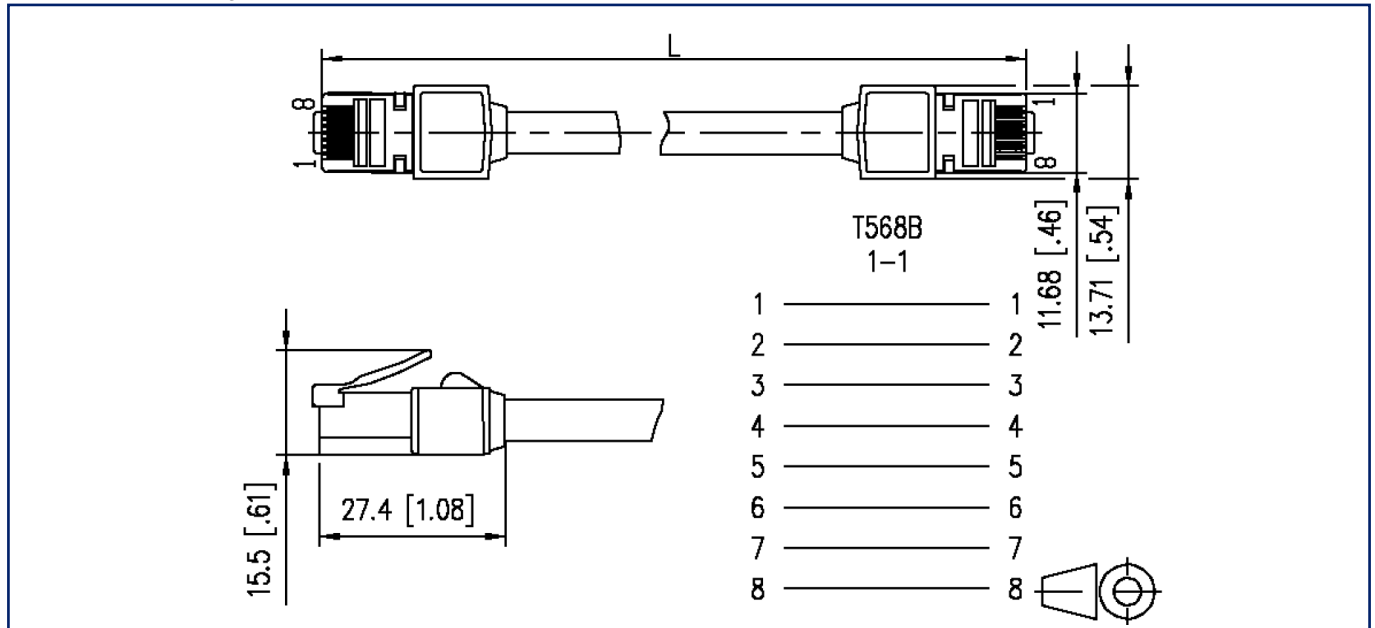
EAN 4251394668819

2025/07/01

Version: E

## Illustrations

Dimensional drawing



Principle diagram

