

# Data sheet

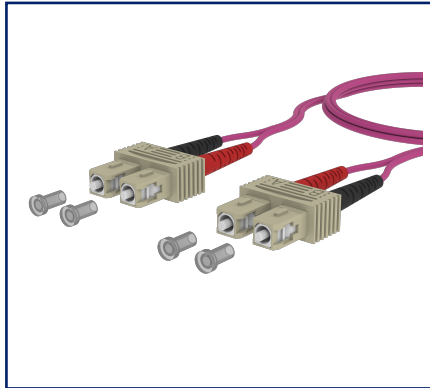
## OpDAT patch cord SC-D/SC-D OM4

Page 1/6

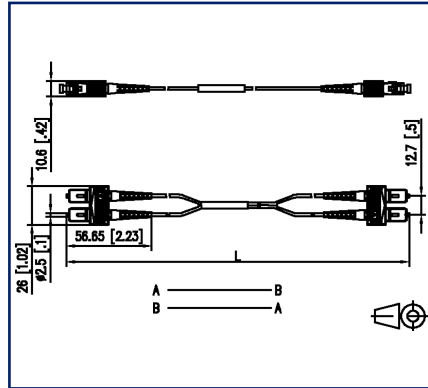
P/N  
151S1EOEOXXE

2026/01/27  
Version: BF

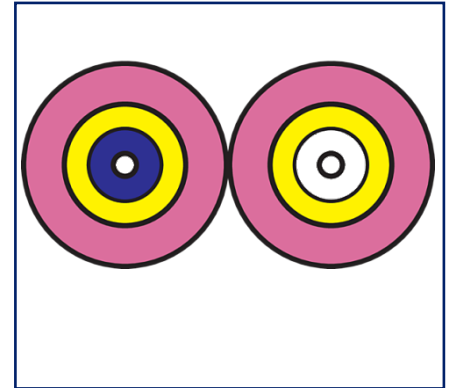
### Illustrations



Dimensional drawing



Principle diagram



See enlarged drawings at the end of document

### Product specification

- multi mode patch cord I-V(ZN)H 50/125 OM4
- laser-optimized, bend insensitive multimode fiber OM4, G50/125 µm according to IEC 60793-2-10 type A1a.3
- outer diameter 2.0 x 4.2 mm
- halogen-free LSHF-FR sheath with low smoke development, flame retardant
- duplex cord as zipcord (figure 8) with two tight buffered cables and aramide strain relief
- 100 % tested
- all available variants can be created with the cable configurator



**Data sheet**  
**OpDAT patch cord SC-D/SC-D OM4**

**Technical Data**

**General Data**

|   |                                  |
|---|----------------------------------|
| Fields of application                         | office areas<br>data center      |
| Mechanical measurement according to MICE      | M1                               |
| Ingress measurement according to MICE         | I1                               |
| Climatic measurement according to MICE        | C1                               |
| Electromagnetic measurement according to MICE | E3                               |
| Design  | patch cord                       |
| Transmission technology                       | Fiber optic                      |
| Wiring  | crossed                          |
| Color   | violet                           |
| <b>Dimensions</b>                             |                                  |
| Dimension - Interface 1 (L x W x H)           | 56.65 mm x 26 mm x 10.6 mm       |
| Dimension - Interface 1 (L x W x H)           | 2.23 in. x 1.024 in. x 0.417 in. |
| Dimension - Interface 2 (L x W x H)           | 56.65 mm x 26 mm x 10.6 mm       |
| Dimension - Interface 2 (L x W x H)           | 2.23 in. x 1.024 in. x 0.417 in. |
| Mode type of the fiber                        | Multimode                        |
| Fiber class                                   | OM4                              |
| Cable Type                                    | Duplex cable                     |
| Number of cables/ buffered fibers             | 2                                |
| Fiber construction                            | 50/125 µm                        |
| Weight  | 8 kg/km                          |

**Connections/interfaces**

|                                  |           |
|----------------------------------|-----------|
| Connector technology interface 1 | SC-D      |
| Connector technology interface 2 | SC-D      |
| Ferrule diameter                 | 2.5 mm    |
| Ferrule diameter                 | 0.098 in. |

## Technical Data

### Optical characteristics

|                |             |
|----------------|-------------|
| Insertion loss | max. 0,4 dB |
| Return loss    | min. 35 dB  |

### Mechanical data

|                           |                |
|---------------------------|----------------|
| strain relief             | aramide fibres |
| Maximum installation load | 15 mm          |
| Maximum installation load | 0.591 in.      |

### Materials and material properties

|                    |           |
|--------------------|-----------|
| Bend insensitivity | yes       |
| Flame retardancy   | yes       |
| Halogen free       | yes       |
| RoHS               | compliant |

### Environmental conditions

|                               |                |
|-------------------------------|----------------|
| Temperature (min. - max.)     |                |
| Temperature - Storage °C      | -10 °C - 60 °C |
| Temperature - Storage °F      | 14 °F - 140 °F |
| Temperature - Operating °C    | -10 °C - 60 °C |
| Temperature - Operating °F    | 14 °F - 140 °F |
| Temperature - Installation °C | -10 °C - 60 °C |
| Temperature - Installation °F | 14 °F - 140 °F |

### Standards/Regulations

|  |                               |
|--|-------------------------------|
| Generic cabling systems  |                               |
| General requirements   | ISO/IEC 11801                 |
| Fibre optic connector interfaces   |                               |
|  | IEC 61754-4                   |
| Optical fibers: Product specifications   |                               |
| Sectional specification for category A1 multimode fibres   | ISO/IEC 60793-2-10 (A1a.3)    |
| Optical fibers - Interconnecting devices and passive components - basic test and measuring methods |                               |
| Fibre optic interconnecting devices and passive components - Visual inspection of plug end face    | IEC 61300-3-4   IEC 61300-3-6 |

Data sheet

Page 4/6

**OpDAT patch cord SC-D/SC-D OM4**P/N  
151S1EOEOXXE

2026/01/27

Version: BF

**Technical Data****Standards/Regulations**

Test on gases evolved during combustion of materials from cables

|   |             |
|---|-------------|
| Determination of acidity (by measuring the pH value and conductivity) | IEC 60754-2 |
|---|-------------|

Tests on electric and optical fibre cables under fire conditions

|  |             |
|--|-------------|
| Test for vertical flame propagation for a single insulated wire or cable | IEC 60332-1 |
|--|-------------|

|  |                    |
|--|--------------------|
| Test for vertical flame spread of vertically-mounted bunched wires or cables | ISO/IEC 60332-3-24 |
|--|--------------------|

|  |               |
|--|---------------|
| Measurement of smoke density of cables burning | ISO/IEC 61034 |
|--|---------------|

|                |         |
|----------------|---------|
| ITU-T standard | G.651.1 |
|----------------|---------|

**Classifications**

|          |          |
|----------|----------|
| ETIM 7.0 | EC001263 |
|----------|----------|

|          |          |
|----------|----------|
| ETIM 8.0 | EC001263 |
|----------|----------|

**Packing details**

|                   |                       |
|-------------------|-----------------------|
| Type of packaging | 1 pc(s) / plastic bag |
|-------------------|-----------------------|

**Application note**

This product is a standard product of METZ CONNECT. METZ CONNECT is not aware of the specific intended use of the goods by the Customer or any customers of the Customer. The Customer guarantees that it has fully and sufficiently tested the use of the goods and any product modifications, product changes or product enhancements with regard to the specific intended use in accordance with the state of the art or in any other way. At METZ CONNECT's request, the Customer shall submit and make available meaningful evidence (e.g. test and laboratory protocols, certifications, etc.).



Data sheet  
OpDAT patch cord SC-D/SC-D OM4

Page 5/6

P/N  
151S1EOEOXXE2026/01/27  
Version: BF**Accessories from**

| P/N            | Designation                |
|----------------|----------------------------|
| 150M047HE00XXE | OpDAT VADT splice 4xSC OM4 |



Data sheet  
OpDAT patch cord SC-D/SC-D OM4

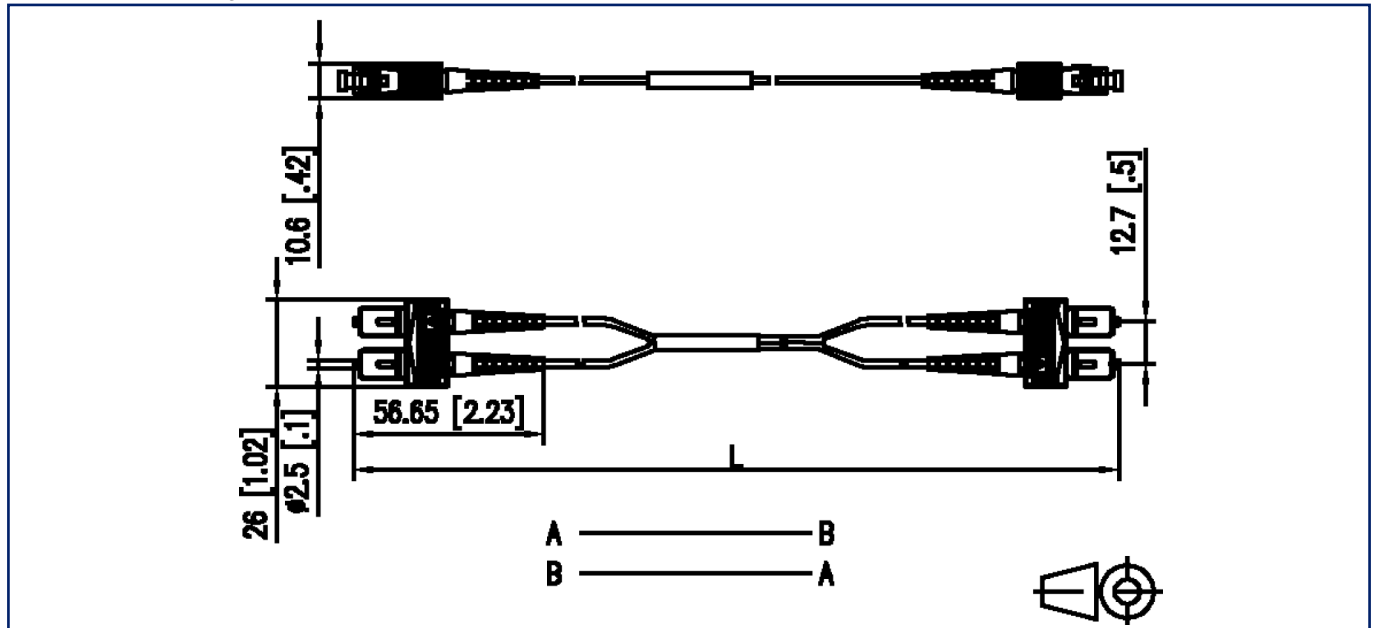
Page 6/6

P/N  
151S1EOEOXXE

2026/01/27  
Version: BF

**Illustrations**

Dimensional drawing



Principle diagram

