

Data sheet

OpDAT 4 UP 2xLC-D OM4

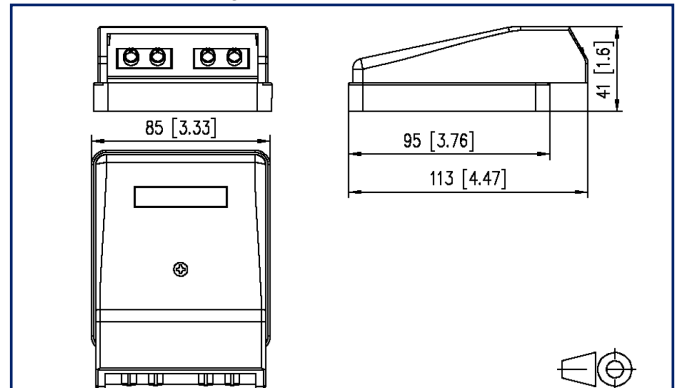
Page 1/4

P/N
1501107502-E
EAN 4251394609256
2025/05/19
Version: O

Illustrations



Dimensional drawing



See enlarged drawings at the end of document

Product specification

- fiber optic termination unit for flush mounting with fiber optic adapters
- equipped with 2 LC-D OM4 adapters
- bending radius of approx. 30 mm is met due to integrated cable reservoir
- plug direction 10° downwards
- strain relief with cable ties possible
- with label window for enclosed identification labels
- suitable for preassembled cables and on-site assembly of plugs
- for mini breakout cables
- cover parts in pure white RAL 9010
- variants: 2 LC-D, 2 SC-D, 4 ST



Technical Data

General Data

Fields of application	office areas
Mechanical measurement according to MICE	M1
Ingress measurement according to MICE	I1
Climatic measurement according to MICE	C1
Electromagnetic measurement according to MICE	E3
Design	wall outlet
Mounting style	UP
Transmission technology	Fiber optic
Color	pure white - RAL 9010
Dimensions	
Dimension (L x W x H)	27 mm x 85 mm x 112 mm
Dimension (L x W x H)	1.063 in. x 3.346 in. x 4.409 in.
Mode type of the fiber	Multimode
Fiber class	OM4
Labeling option	label window with identification label

Connections/interfaces

Connector technology interface 1	LC-D
Connector technology interface 2	LC-D
Number of ports interface 1	2
Number of ports interface 2	2
Number of equipped ports interface 1	2
Number of ports interface 2 equipped	2
Number of ports with dust protection interface 2	2
Number of blind	2
Module plug-in direction	10° downwards

Mechanical data

Cut-out	SC, LC-D, E2000
Connector type	duplex
Life - Number of mating cycles	min. 1000
strain relief	cable tie

Data sheet
OpDAT 4 UP 2xLC-D OM4

P/N
1501107502-E
EAN 4251394609256
 2025/05/19
 Version: O

Technical Data

Materials and material properties

Material - Housing	Plastics
Material - Cover part(s)	ABS
Material - Label window	ABS, transparent
Material - Coupler housing	metal
Material - Sleeve	ceramic, slotted
RoHS	compliant

Standards/Regulations

Cover plates for installation devices 1	DIN 49075-1:1989-10
Cover plates for installation devices 2	DIN 49075-2:1989-10

Classifications

ETIM 7.0	EC001409
ETIM 8.0	EC001409
ETIM 9.0	EC001409

Packing details

Type of packaging	1 pc(s) / box
-------------------	---------------

Application note

This product is a standard product of METZ CONNECT. METZ CONNECT is not aware of the specific intended use of the goods by the Customer or any customers of the Customer. The Customer guarantees that it has fully and sufficiently tested the use of the goods and any product modifications, product changes or product enhancements with regard to the specific intended use in accordance with the state of the art or in any other way. At METZ CONNECT's request, the Customer shall submit and make available meaningful evidence (e.g. test and laboratory protocols, certifications, etc.).

© 2025 METZ CONNECT - Technische Änderungen vorbehalten! Subject to modifications! Sous réserve de modifications techniques!

Data sheet
OpDAT 4 UP 2xLC-D OM4

Page 4/4

P/N
1501107502-E
EAN **4251394609256**
2025/05/19
Version: O

Illustrations

Dimensional drawing

