

Data sheet

E-DAT Industry IP67 surface mount housing V1 unequipped

Page 1/5

P/N

1401010012KE

EAN 4251122183768

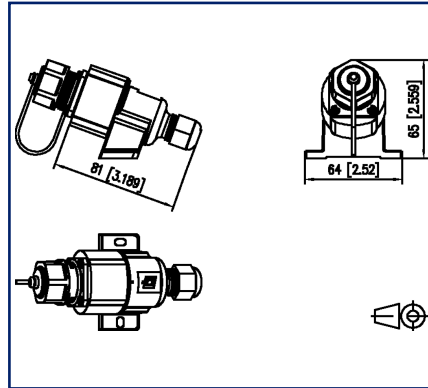
2025/09/17

Version: I

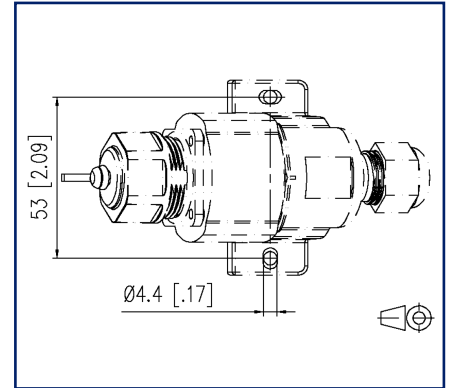
Illustrations



Dimensional drawing



Drill pattern



See enlarged drawings at the end of document

Product specification

- flange housing with bayonet lock acc. to ISO/IEC 24702 and IEC 61076-3-106 standards, var. 1
- IP67 protected housing
- possible surface-mounting in series
- connection of RJ45 plugs available on the market (no IP protection)
- easy, time-saving mounting
- matching inserts: E-DAT Industry RJ45 field jack insert (T568A, T568B or Profinet)



E-DAT Industry IP67 surface mount housing V1 unequipped

P/N

1401010012KE

EAN 4251122183768

2025/09/17

Version: I

Technical Data

General Data

Fields of application	office areas harsh environment
Mechanical measurement according to MICE	M1
Ingress measurement according to MICE	I1
Climatic measurement according to MICE	C1
Electromagnetic measurement according to MICE	E3
Design	wall outlet
Mounting style	AP
Shielding	shielded
Transmission technology	Copper
Color	black
Color protective housing	black
Dimensions	
Dimension (L x W x H)	81 mm x 64 mm x 65 mm
Dimension (L x W x H)	3.189 in. x 2.52 in. x 2.559 in.

Connections/interfaces

Number of ports interface 2	1
Number of ports interface 2 equipped	1
Protective housing interface 1	V1
Protective housing interface 2	V1
Cable access/outlet	180°

Mechanical data

Locking method (protective housing)	Bayonet
Insertion and withdrawal force	max. 30 N
Position/mounting of latch standard installation position	top

Materials and material properties

Material - Protective housing	PA UL 94 V0
Material - Protective housing seal	NBR (nitrile butadiene rubber)
Material - Flat seal	NBR (nitrile butadiene rubber)
Material - Thin nut	PA UL 94 V0



E-DAT Industry IP67 surface mount housing V1 unequipped

P/N

1401010012KE

EAN 4251122183768

2025/09/17

Version: I

Technical Data

Materials and material properties

Material - Protective cap	PA UL 94 V0
Material - Elastic band	EPDM (ethylene-propylene-diene)
Halogen free	yes
RoHS	compliant

Environmental conditions

Temperature (min. - max.)	
Temperature - Storage °C	-40 °C - 70 °C
Temperature - Storage °F	-40 °F - 158 °F
Temperature - Operating °C	-40 °C - 70 °C
Temperature - Operating °F	-40 °F - 158 °F
Particulate ingress	IP6X
Liquid ingress/immersion	IPX7
Rapid change of temperature	-40°C / -40°F - +70°C / 158°F / 25 cycles t=30 min
Damp heat	+25°C / +77°F / +65°C / +149°F / 93% RH // -10°C / -14°F / 21 cycles
Flowing mixed gas	+25 °C / +77°F / 73% RH / 4 days, H2S / SO2
Vibration	50 m/s ²
Shock	250 m/s ²
General information	This product is suitable for use in industrial environments inside buildings with IPxy protection class according to DIN EN 60529 specified in this data sheet. Not specified for outdoor applications.

Standards/Regulations

Generic cabling systems	
General requirements	ANSI/TIA-568
Industrial area	ISO/IEC 24702 DIN EN 50173-3 ANSI/TIA-1005
UL standard for Communications-Circuit Accessories	UL 1863
Degrees of Protection Provided by Enclosures	IEC 60529
Interference proof	
Immunity for industrial environments	DIN EN 61000-6-2:2006-03
Climate tests	IEC 60512-11

Data sheet

Page 4/5

E-DAT Industry IP67 surface mount housing V1 unequipped

P/N

1401010012KE

EAN 4251122183768

2025/09/17

Version: I

Technical Data**Classifications**

ETIM 7.0	EC002597
ETIM 8.0	EC002597
ETIM 9.0	EC002597
ETIM 10.0	EC002597

Packing details

Type of packaging 1 pc(s) / plastic bag

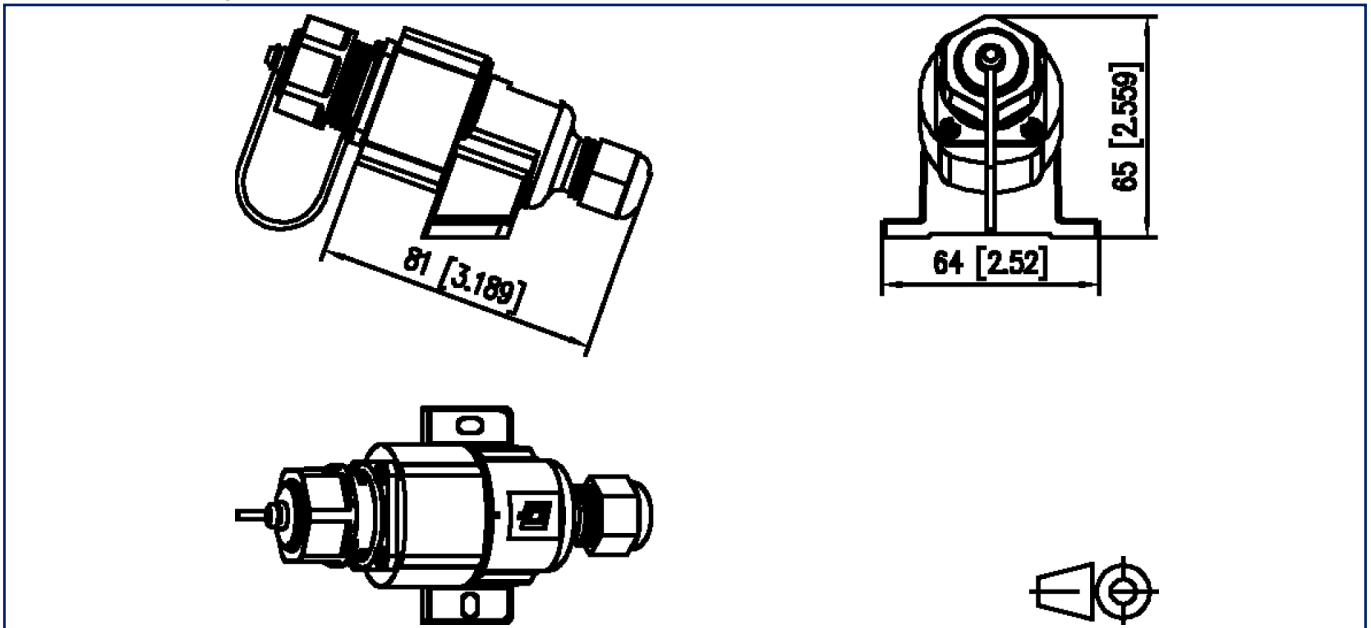
Application note

This product is a standard product of METZ CONNECT. METZ CONNECT is not aware of the specific intended use of the goods by the Customer or any customers of the Customer. The Customer guarantees that it has fully and sufficiently tested the use of the goods and any product modifications, product changes or product enhancements with regard to the specific intended use in accordance with the state of the art or in any other way. At METZ CONNECT's request, the Customer shall submit and make available meaningful evidence (e.g. test and laboratory protocols, certifications, etc.).



Illustrations

Dimensional drawing



Drill pattern

