

Data sheet

ST25509HBNN, 9-pole

Page 1/5

P/N
ST25509HBNN

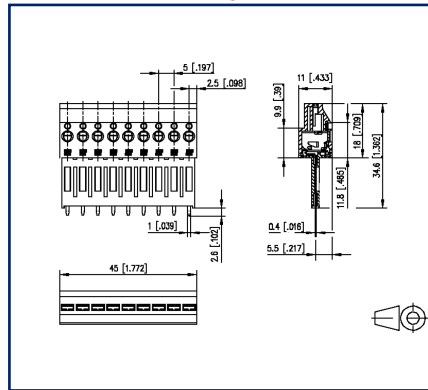
2025/08/28

Version: G

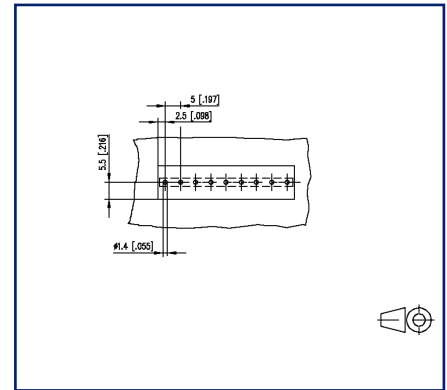
Illustrations



Dimensional drawing as an example



Drill pattern as an example





See enlarged drawings at the end of document

Product specification

- spring clamp terminal block, THT solderable
- centerline 5.00 mm, direction of connection 90°
- fittable without loss of poles
- color black

Data sheet
ST25509HBNN, 9-pole

Technical Data

General Data			
Solder pin length	2.6 mm		
pole size	9		
Insulating material class	CTI 600		
clearance/creepage dist.	4 mm		
Protection category	IP20		
Insul. strip length	8 mm		
Rated current	19 A		
Overvoltage category	III	III	II
Pollution degree	3	2	2
Rated voltage	320 V	800 V	800 V
Rated test voltage	6 kV	6 kV	6 kV
Terminal data			
rat.wiring solid AWGmax	0.2 mm ² - 2.5 mm ² / AWG 24 - AWG 14		
rat.wiring strand.AWGmax	0.2 mm ² - 2.5 mm ² / AWG 24 - AWG 12		
Approvals			
 V / A / AWG	300 / 17 / 24 - 12		
approval UL - File No.	E121004		
	250 V / 2.5 kV / 19 A		
Material			
insulating material	PA66/PPA		
flammability class	V0		
spring material	Spring steel		
contact material	CuSn		
Contact surface	Sn		
Climatic Data			
upper limit temperature	105 °C		
lower limit temperature	-40 °C		
general			
Tolerance	ISO 2768 -mH		
Solderability	Acc. to JEDEC JESD22-B102E 245°C/5s		

© 2025 METZ CONNECT - Technische Änderungen vorbehalten! Subject to modifications! Sous réserve de modifications techniques!

Data sheet
ST25509HBNN, 9-pole

Page 3/5

P/N
ST25509HBNN

2025/08/28

Version: G

Technical Data

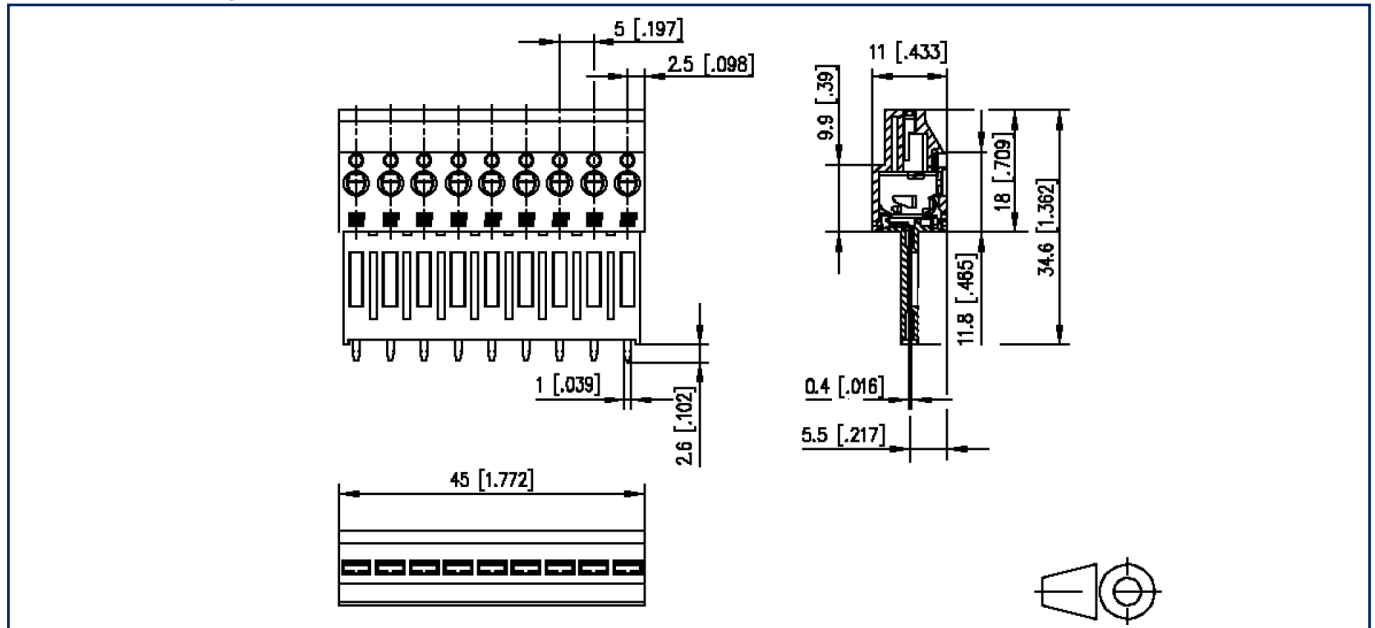
Application note

This product is a standard product of METZ CONNECT. METZ CONNECT is not aware of the specific intended use of the goods by the Customer or any customers of the Customer. The Customer guarantees that it has fully and sufficiently tested the use of the goods and any product modifications, product changes or product enhancements with regard to the specific intended use in accordance with the state of the art or in any other way. At METZ CONNECT's request, the Customer shall submit and make available meaningful evidence (e.g. test and laboratory protocols, certifications, etc.).



Illustrations

Dimensional drawing as an example



$$L = (\text{pole size} - 1) \times \text{centerline} + 5 \text{ mm [0.197]}$$

