

# Data sheet

## SR25506HBNC, 6-pole

Page 1/5

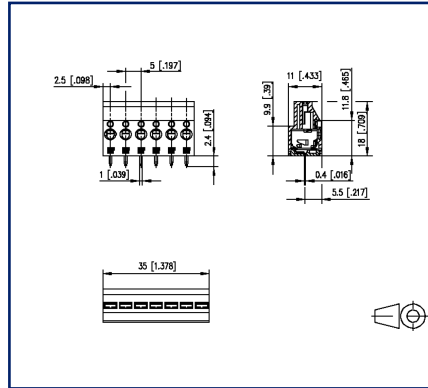
P/N  
SR25506HBNC

2025/08/27  
Version: G

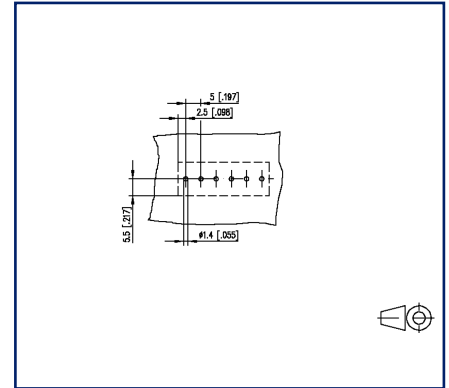
### Illustrations



Dimensional drawing as an example



Drill pattern as an example



See enlarged drawings at the end of document



### Product specification

- spring clamp terminal block, THT solderable
- centerline 5.00 mm, direction of connection 90°
- fittable without loss of poles
- color black



**Data sheet**  
**SR25506HBNC, 6-pole**

**Technical Data**

<b>General Data</b>			
Solder pin length	2.4 mm		
pole size	6		
Insulating material class	CTI 600		
clearance/creepage dist.	4 mm		
Protection category	IP20		
Insul. strip length	8 mm		
Rated current	20 A		
Overvoltage category	III	III	II
Pollution degree	3	2	2
Rated voltage	320 V	800 V	800 V
Rated test voltage	6 kV	6 kV	6 kV
<b>Terminal data</b>			
rat.wiring solid AWGmax	0.2 mm <sup>2</sup> - 2.5 mm <sup>2</sup> / AWG 24 - AWG 14		
rat.wiring strand.AWGmax	0.2 mm <sup>2</sup> - 2.5 mm <sup>2</sup> / AWG 24 - AWG 12		
<b>Approvals</b>			
 V / A / AWG	300 / 19 / 24 - 12		
approval UL - File No.	E121004		
	250 V / 2.5 kV / 20 A		
<b>Material</b>			
insulating material	PPA		
flammability class	V0		
spring material	Spring steel		
contact material	CuSn		
Contact surface	Sn		
Glow-Wire Flammability GWFI	960 °C acc. to IEC 60695-2-12		
Glow-Wire Flammability GWIT	800 °C acc. to IEC 60695-2-13		
<b>Climatic Data</b>			
upper limit temperature	105 °C		
lower limit temperature	-40 °C		
<b>general</b>			

© 2025 METZ CONNECT - Technische Änderungen vorbehalten! Subject to modifications! Sous réserve de modifications techniques!

**Data sheet**  
**SR25506HBNC, 6-pole**

Page 3/5

P/N  
SR25506HBNC2025/08/27  
Version: G**Technical Data**

Tolerance	ISO 2768 -mH
Solderability	Acc. to JEDEC JESD22-B102E 245°C/5s

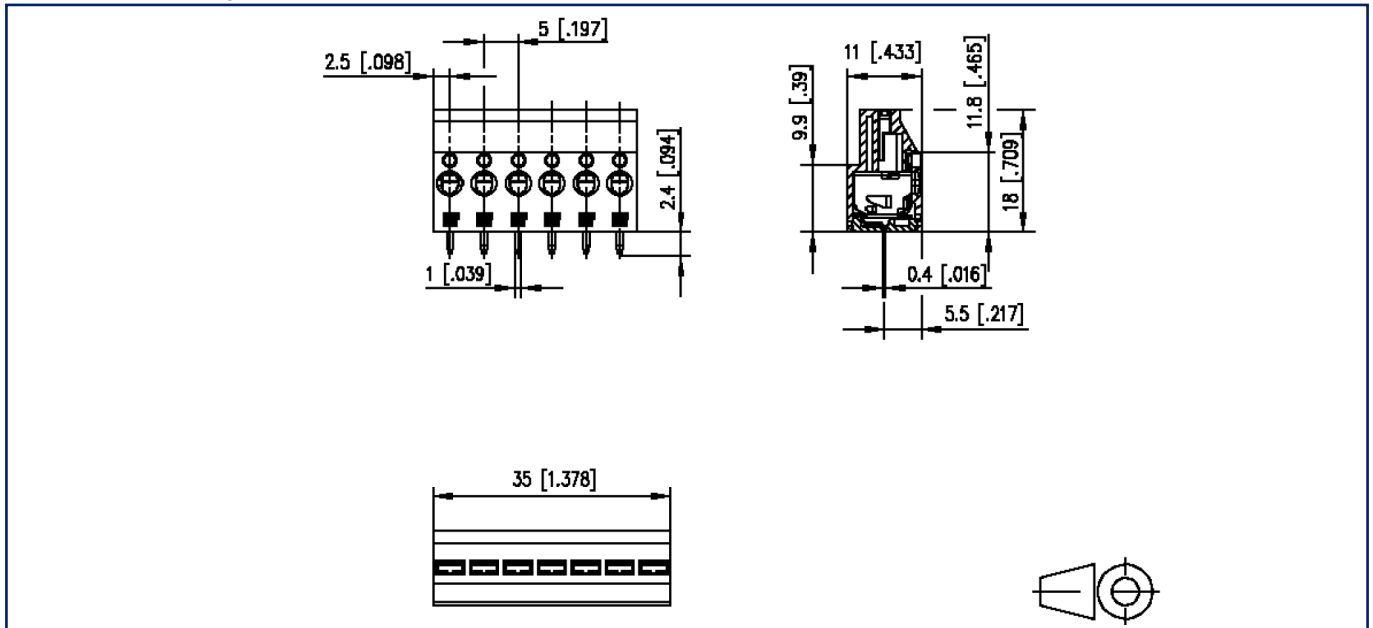
**Application note**

This product is a standard product of METZ CONNECT. METZ CONNECT is not aware of the specific intended use of the goods by the Customer or any customers of the Customer. The Customer guarantees that it has fully and sufficiently tested the use of the goods and any product modifications, product changes or product enhancements with regard to the specific intended use in accordance with the state of the art or in any other way. At METZ CONNECT's request, the Customer shall submit and make available meaningful evidence (e.g. test and laboratory protocols, certifications, etc.).



### Illustrations

Dimensional drawing as an example



$$L = (\text{pole size} - 1) \times \text{centerline} + 5 \text{ mm [0.197]}$$

