

Data sheet

OpDAT REGpro front cover 6xLC-D APC OS2

Page 1/4

P/N

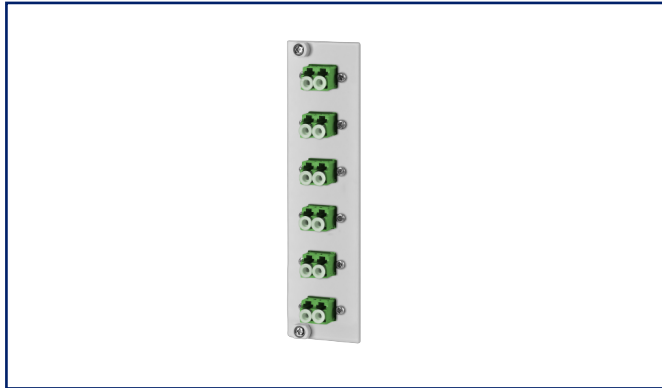
15024A7606-E

EAN 4251394602974

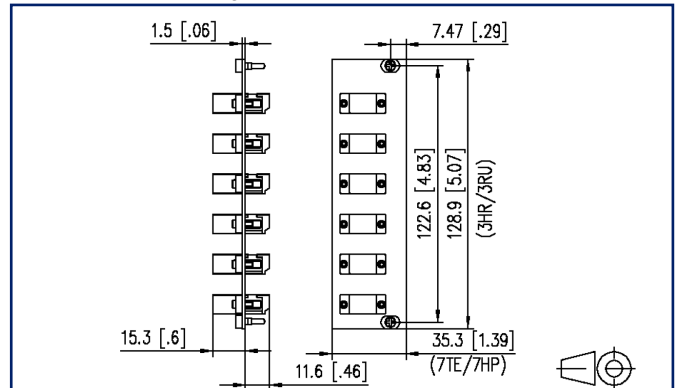
2025/09/17

Version: G

Illustrations



Dimensional drawing



See enlarged drawings at the end of document

Product specification

- front plate 3RU/7HP with LC-D adapters
- slotted ceramics sleeve for single mode and multimode applications
- suitable for mounting in OpDAT REGpro and OpDAT REG S
- gray, powder-coated steel sheet
- variants: equipped with LC-D-adapters each blue (OS2), lime green (OM5), violet (OM4), aqua (OM3), beige (OM2) or green (OS2 APC)



OpDAT REGpro front cover 6xLC-D APC OS2

P/N

15024A7606-E

EAN 4251394602974

2025/09/17

Version: G

Technical Data

General Data

Fields of application	structured building cabling office areas data center
Mechanical measurement according to MICE	M1
Ingress measurement according to MICE	I1
Climatic measurement according to MICE	C1
Electromagnetic measurement according to MICE	E3
Design	front plate
Mounting style	3RU/7HP
Transmission technology	Fiber optic
Color	green
Dimensions	
Dimension (L x W x H)	26.9 mm x 128.9 mm x 35.3 mm
Dimension (L x W x H)	1.059 in. x 5.075 in. x 1.39 in.
Height unit	3RU
Horizontal pitch	7HP
Fiber class	OS2
Mode type of the fiber	Singlemode

Connections/interfaces

Connector technology interface 1	LC-D Couplers
Connector technology interface 2	LC-D Couplers
Number of ports interface 1	6
Number of ports interface 2	6
Number of equipped ports interface 1	6
Number of ports interface 2 equipped	6
Number of ports with dust protection interface 1	6
Number of ports with dust protection interface 2	6

Mechanical data

Cut-out	SC, LC-D, E2000
Life - Number of mating cycles	min. 1000



Data sheet

Page 3/4

OpDAT REGpro front cover 6xLC-D APC OS2

P/N

15024A7606-E

EAN 4251394602974

2025/09/17

Version: G

Technical Data**Materials and material properties**

Material - Mounting plate	steel
Material - Mounting plate finish	powder-coated
Material - Sleeve	ceramic, slotted
Material - Coupler housing	Plastics
Halogen free	yes
RoHS	compliant

Classifications

ETIM 7.0	EC001130
ETIM 8.0	EC001130
ETIM 9.0	EC001130
ETIM 10.0	EC001130

Packing details

Type of packaging	1 pc(s) / plastic bag
-------------------	-----------------------

Application note

This product is a standard product of METZ CONNECT. METZ CONNECT is not aware of the specific intended use of the goods by the Customer or any customers of the Customer. The Customer guarantees that it has fully and sufficiently tested the use of the goods and any product modifications, product changes or product enhancements with regard to the specific intended use in accordance with the state of the art or in any other way. At METZ CONNECT's request, the Customer shall submit and make available meaningful evidence (e.g. test and laboratory protocols, certifications, etc.).



Illustrations

Dimensional drawing

