

**M12 Industrial Ethernet cable, D-coded, 1.0 m,
M12 plug straight - M12 jack straight, drag chain, PUR**

P/N
142M1D12010
EAN 4251394600161
2025/05/15
Version: S

Technical Data

General Data

Fields of application	Industrial Ethernet
Design	Ethernet-Connection line
Shielding	shielded
Transmission technology	Copper
Cable Type	SF/FTP
Number of twisting elements	2
Twisting element	Pair
Wiring	Profinet
Color coding fiber/ wire(s)	yellow, white, orange, blue
Color	green
Dimensions	
Dimension - Interface 1 (L x W x H)	50.5 mm x 15 mm x 15 mm
Dimension - Interface 1 (L x W x H)	1.988 in. x 0.591 in. x 0.591 in.
Dimension - Interface 2 (L x W x H)	52 mm x 21.5 mm x 21.5 mm
Dimension - Interface 2 (L x W x H)	2.047 in. x 0.846 in. x 0.846 in.
Cable length (m)	1 m
Labeling option	identification label carrier

Transmission characteristics

Category (ISO)	5e
Transmission rate up to 100 MBit (Fast Ethernet)	IEEE 802.3u

Connections/interfaces

Connector technology interface 1	M12-plug
Connector technology interface 2	M12-jack
Coding interface 1	D-coded
Coding interface 2	D-coded
Number of positions/contacts interface 1	4
Number of positions/contacts interface 2	4

Data sheet

**M12 Industrial Ethernet cable, D-coded, 1.0 m,
M12 plug straight - M12 jack straight, drag chain, PUR**

P/N
142M1D12010
EAN 4251394600161
2025/05/15
Version: S

Technical Data

Connections/interfaces

Termination data, stranded wire (min. - max.)

Conductor cross section, stranded wire	AWG 22/7
Conductor diameter, stranded wire (bare copper)	0.75 mm
Conductor diameter, stranded wire (bare copper)	0.03 in.
Cable sheath diameter (min. - max.)	
Cable sheath diameter	6.5 mm
Cable sheath diameter	0.236 in.

Electrical characteristics

Current carrying capacity	4 A at 40 °C
Rated voltage	60 V DC
UL rating (cable)	600 V
Insulation resistance	min. 100 MOhm

Mechanical data

Life - Number of mating cycles	min. 100
Bending radius without load	min. 49 mm
Maximum operating bending radius	26 mm
Maximum operating bending radius	1.024 in.
Maximum installation load	52 mm
Maximum installation load	2.047 in.
Number of alternating bending cycles (mechanical resistance) at:	3 million bending cycles
Alternating bending radius	100 mm
velocity	4 m/s
acceleration	4 m/s ²
Shielding braid coverage	85 %
Installation method	PROFINET type C

Data sheet

Page 4/8

**M12 Industrial Ethernet cable, D-coded, 1.0 m,
M12 plug straight - M12 jack straight, drag chain, PUR**

P/N

142M1D12010

EAN 4251394600161

2025/05/15

Version: S

Technical Data

Materials and material properties

Material - Conductor	Cu (copper)
Material - Conductor Insulation	Polyethylene
Material - Cable jacket	PUR
Material - Inner cable jacket	FRNC, with an aluminized film
Material - Body interface 1	Plastics
Material - Body interface 2	Plastics
Material - Contact interface 1	CuZnPb (brass)
Material - Contact interface 2	CuZnPb (brass)
Material - Contact finish interface 1	Au (gold)
Material - Contact finish interface 2	Au (gold)
Material - Contact carriers interface 1	Plastics
Material - Contact carriers interface 2	Plastics
Material - Union nut interface 1	CuZnPb (brass)
Material - Union nut interface 2	CuZnPb (brass)
Material - Union nut finish interface 1	Ni (nickel)
Material - Union nut finish interface 2	Ni (nickel)
Material - Pair shield	plastic film
Material - Pair shield finish	Al (Aluminium)
Material - Main shield	Cu (copper) braid
Material - Main shield finish	Sn
Flame retardancy	according to IEC 60332-1-2
Halogen free	yes
Oil resistance	yes
UV-resistance	yes
drag chain suitable	yes
RoHS	compliant

© 2025 METZ CONNECT - Technische Änderungen vorbehalten! Subject to modifications! Sous réserve de modifications techniques!

Data sheet

**M12 Industrial Ethernet cable, D-coded, 1.0 m,
M12 plug straight - M12 jack straight, drag chain, PUR**

P/N
142M1D12010
EAN 4251394600161
2025/05/15
Version: S

Technical Data

Environmental conditions

Temperature (min. - max.)	
Temperature - Operating °C	-30 °C - 90 °C
Temperature - Operating °F	-22 °F - 194 °F
Particulate ingress interface 1	IP6X when plugged in
Liquid ingress/immersion interface 1	IPX5, IPX7, IPX8 when plugged in
Particulate ingress interface 2	IP6X when plugged in
Liquid ingress/immersion interface 2	IPX5, IPX7, IPX8 when plugged in
Pollution degree interface 1	3
Pollution degree interface 2	3

Approvals

UL listed (file no.)



DUXR.E178484

Standards/Regulations

Generic cabling systems	
General requirements	ISO/IEC 11801-1 DIN EN 50173-1
Profinet	yes
Connectors for electronic equipment	
circular connector	DIN EN 61076-2-101
Multi-element metallic cables used in analogue and digital communication and control	DIN EN 50288-2-1
Common test methods for cables under fire conditions	
UN ECE-R 118.01	R118
Test for vertical flame propagation for a single insulated wire or cable	IEC 60332-1-2
Measurement of smoke density of cables burning	DIN EN 61034

Classifications

ETIM 7.0	EC002599
ETIM 8.0	EC002599
ETIM 9.0	EC002599

Data sheet

Page 6/8

**M12 Industrial Ethernet cable, D-coded, 1.0 m,
M12 plug straight - M12 jack straight, drag chain, PUR**

P/N

142M1D12010

EAN 4251394600161

2025/05/15

Version: S

Technical Data**Packing details**

Type of packaging 1 pc(s) / plastic bag

Application note

This product is a standard product of METZ CONNECT. METZ CONNECT is not aware of the specific intended use of the goods by the Customer or any customers of the Customer. The Customer guarantees that it has fully and sufficiently tested the use of the goods and any product modifications, product changes or product enhancements with regard to the specific intended use in accordance with the state of the art or in any other way. At METZ CONNECT's request, the Customer shall submit and make available meaningful evidence (e.g. test and laboratory protocols, certifications, etc.).



Data sheet

Page 7/8

**M12 Industrial Ethernet cable, D-coded, 1.0 m,
M12 plug straight - M12 jack straight, drag chain, PUR**

P/N

142M1D12010

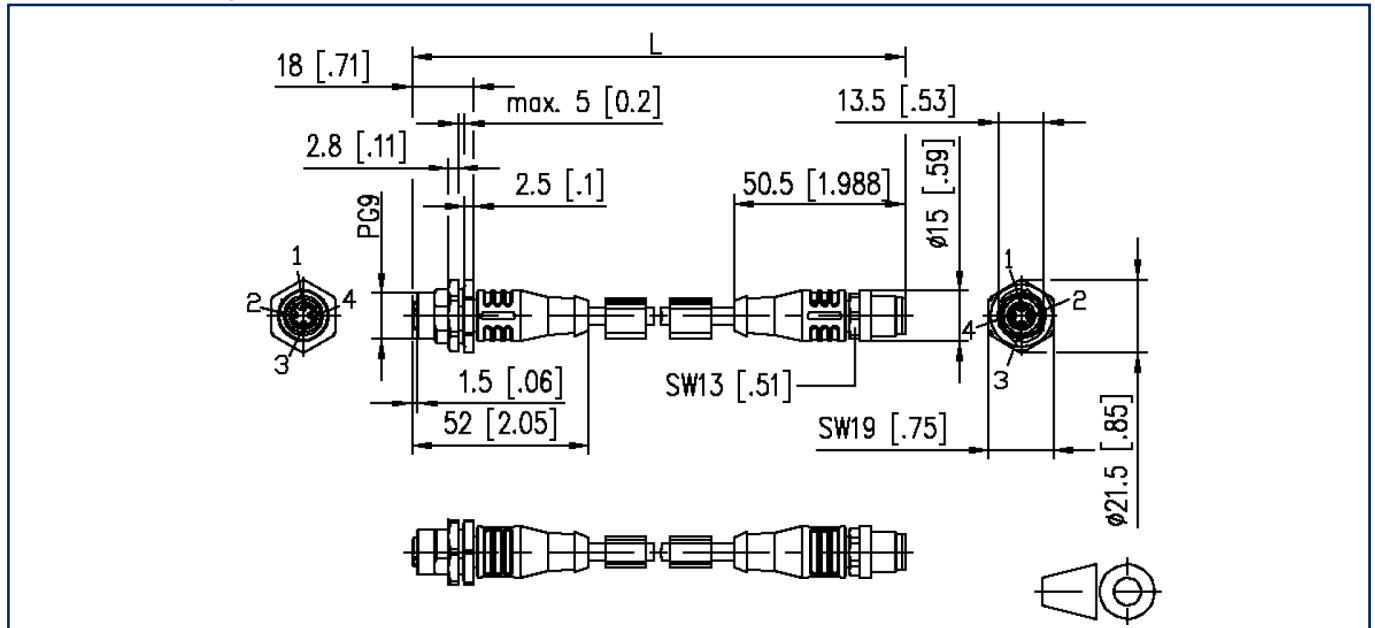
EAN 4251394600161

2025/05/15

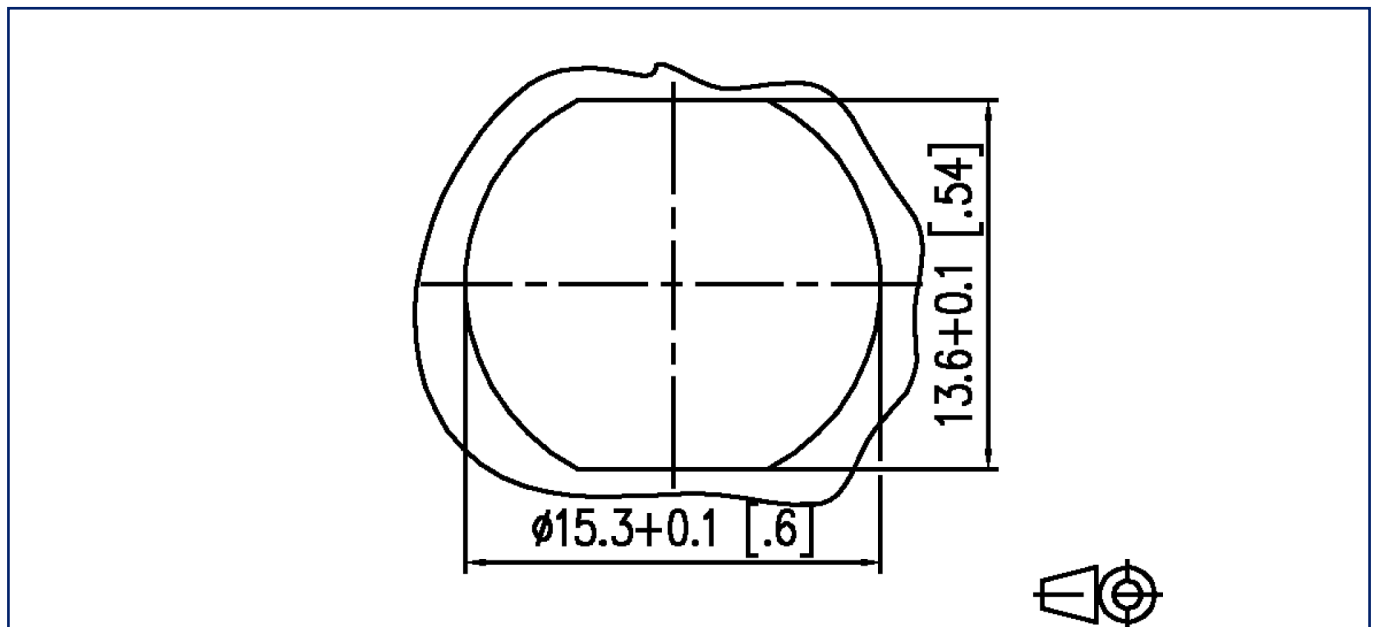
Version: S

Illustrations

Dimensional drawing



Cut-out



Data sheet

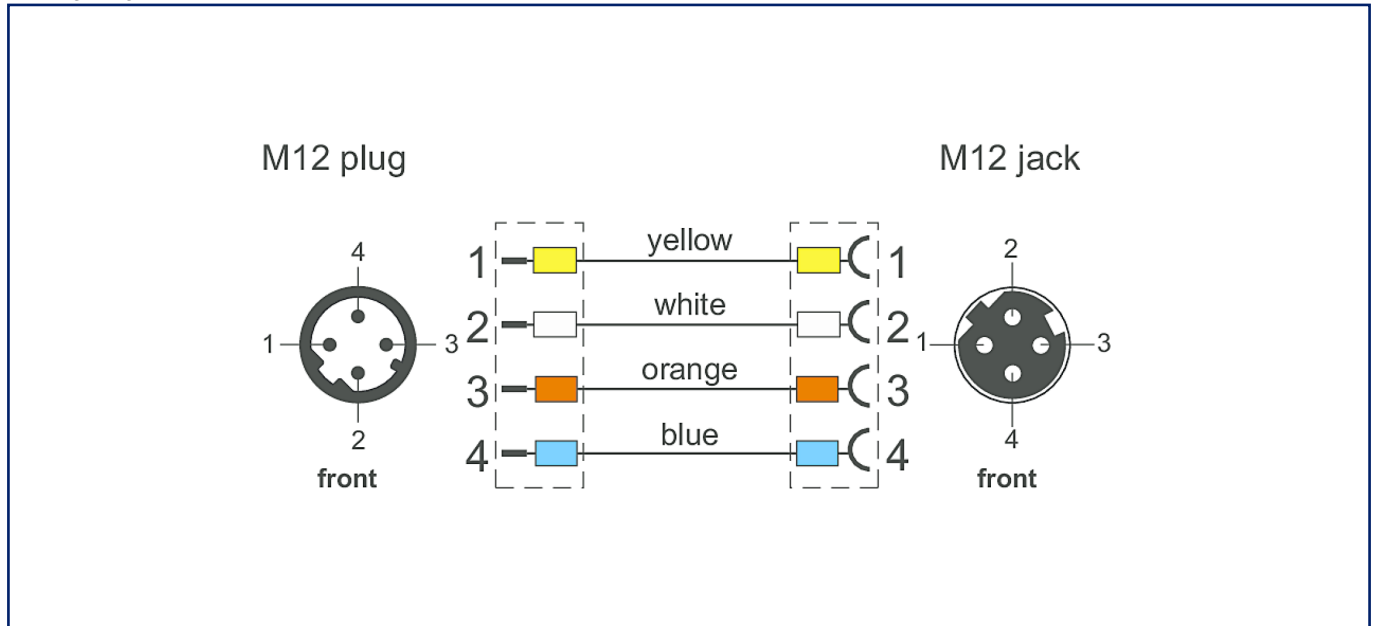
Page 8/8

**M12 Industrial Ethernet cable, D-coded, 1.0 m,
M12 plug straight - M12 jack straight, drag chain, PUR**

P/N
142M1D12010
EAN 4251394600161
2025/05/15
Version: S

Illustrations

Wiring diagram



Principle diagram

