

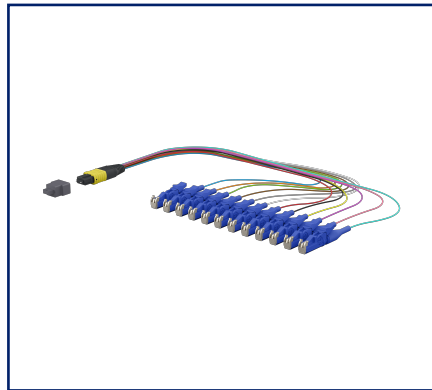
Data sheet

OpDAT wire Fanout MTP-M/12xE2000-S OS2 0.3 m

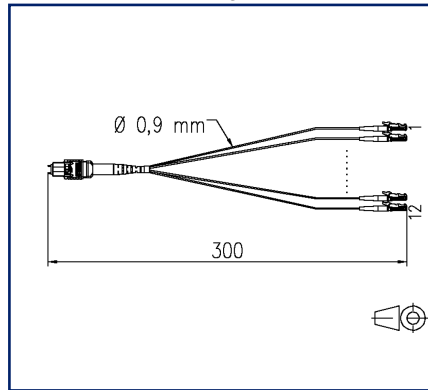
Page 1/4

P/N
151P5TMMO003A
EAN 4251394657448
2025/07/02
Version: C

Illustrations



Dimensional drawing



Principle diagram



See enlarged drawings at the end of document

Product specification

- Wire fanout with 12 SM fibers, assembled with one MPO/MTP® connector and 12 E2000 simplex connectors.
- Male connector (with pins) as standard. Variants with female connector (without pins) are possible.
- available in assignment variants polarity A
- suitable for transmissions of e.g. 100 Gbit/s (depending on transceiver technology)
- wire diameter \varnothing 0.9 mm, color-coded according to TIA/EIA 598
- Fiber type: Single mode fiber, E9/125 μ m, OS2 (IEC 11801), IEC 60793-2-50 B.1.3 and B.6_a, bend insensitive according to ITU-T G657.A1, compatible to ITU-T G.652.D.
- 100 % tested for insertion loss, return loss and end face geometry
- all patch cords are provided with serial number, barcode and measurement protocol
- all available variants can be created with the MTP® configurator
- MTP® is a registered trademark of US Conec Ltd., USA

OpDAT wire Fanout MTP-M/12xE2000-S OS2 0.3 m

P/N

151P5TMMO003A

EAN 4251394657448

2025/07/02

Version: C

Technical Data

General Data

Fields of application	data center structured building cabling
Design	Wire Fanout
Transmission technology	Fiber optic
Wiring	Polarity A
Color	yellow
Color coding fiber/ wire(s)	EIA/TIA 598
Mode type of the fiber	Singlemode
Fiber class	OS2
Cable Type	Wire Fanout
Number of cables/ buffered fibers	12
Shape	UPC (Ultra Physical Contact)
Fiber construction	9/125 µm
Cable length (m)	0.3 m

Connections/interfaces

Connector technology interface 1	MPO/MTP®
Connector technology interface 2	E2000 APC
Core-/ Fiber cladding diameter	900

Optical characteristics

Insertion loss	max. 0,35 dB
Return loss	min. 60 dB

Materials and material properties

RoHS	compliant
------	-----------

Standards/Regulations

Generic cabling systems	
General requirements	ISO/IEC 11801 cat. OS2
Fibre optic connector interfaces	IEC 61754-7
ITU-T standard	ITU-T G.657.A1 compatible with ITU-T G.652.D



Data sheet

Page 3/4

OpDAT wire Fanout MTP-M/12xE2000-S OS2 0.3 m

P/N

151P5TMMO003A

EAN 4251394657448

2025/07/02

Version: C

Technical Data**Classifications**

ETIM 7.0	EC000748
ETIM 8.0	EC000748
ETIM 9.0	EC000748
ETIM 10.0	EC000748

Packing details

Type of packaging 1 pc(s) / plastic bag

Application note

This product is a standard product of METZ CONNECT. METZ CONNECT is not aware of the specific intended use of the goods by the Customer or any customers of the Customer. The Customer guarantees that it has fully and sufficiently tested the use of the goods and any product modifications, product changes or product enhancements with regard to the specific intended use in accordance with the state of the art or in any other way. At METZ CONNECT's request, the Customer shall submit and make available meaningful evidence (e.g. test and laboratory protocols, certifications, etc.).



OpDAT wire Fanout MTP-M/12xE2000-S OS2 0.3 m

P/N

151P5TMMO003A

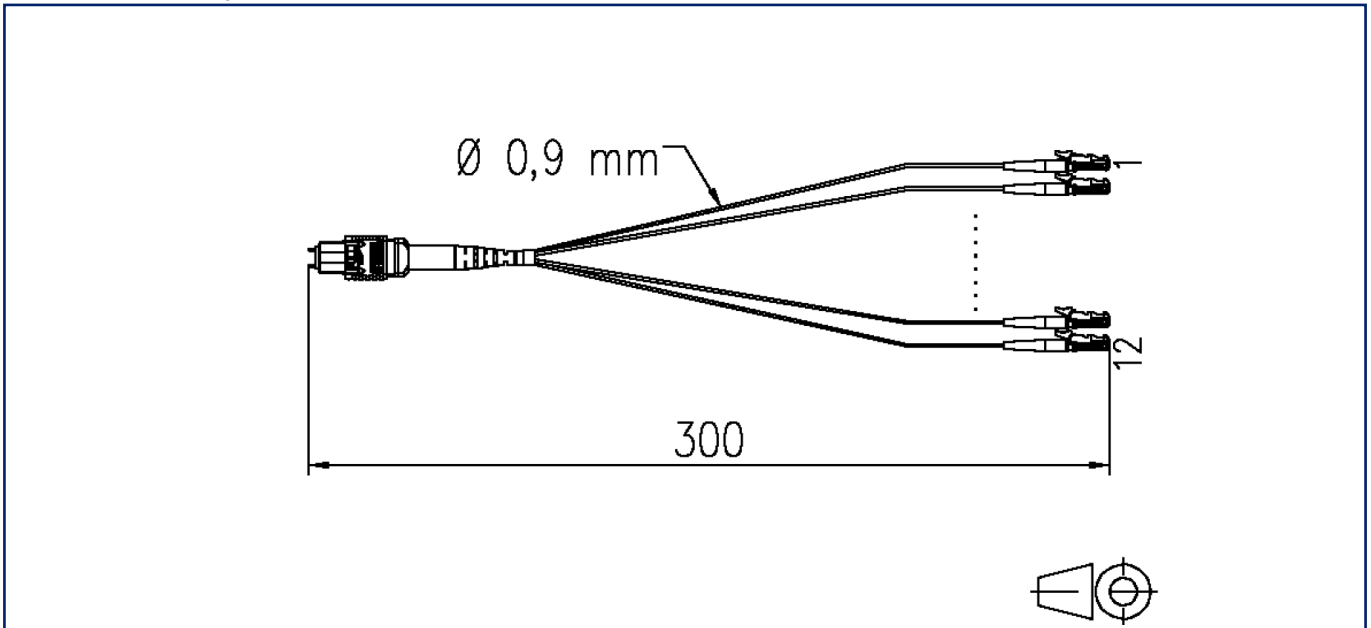
EAN 4251394657448

2025/07/02

Version: C

Illustrations

Dimensional drawing



Principle diagram

