

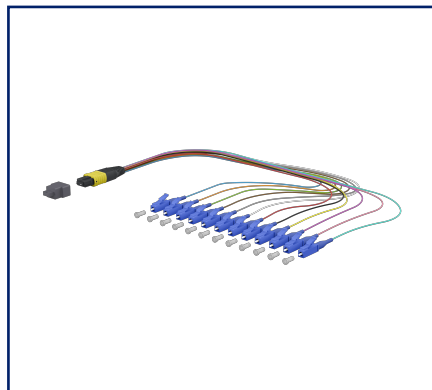
Data sheet

OpDAT wire Fanout MTP-M/12xLC-S OS2, 0.3 m

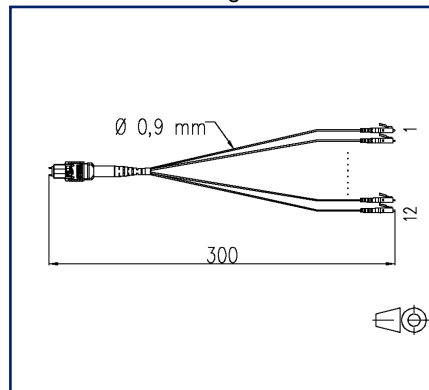
Page 1/5

P/N
151P5TMJO03A
EAN 4251394656236
2025/06/25
Version: G

Illustrations



Dimensional drawing



Principle diagram



See enlarged drawings at the end of document

Product specification

- Wire fanout with 12 SM fibers, assembled with one MPO/MTP® connector and 12 LC simplex connectors.
- Male connector (with pins) as standard. Variants with female connector (without pins) are possible.
- available in assignment variants polarity A
- suitable for transmissions of e.g. 100 Gbit/s (depending on transceiver technology)
- wire diameter \varnothing 0.9 mm, color-coded according to TIA/EIA 598
- Fiber type: Single mode fiber, E9/125 μ m, OS2 (IEC 11801), IEC 60793-2-50 B.1.3 and B.6_a, bend insensitive according to ITU-T G657.A1, compatible to ITU-T G.652.D.
- 100 % tested for insertion loss, return loss and end face geometry
- all patch cords are provided with serial number, barcode and measurement protocol
- all available variants can be created with the MTP® configurator
- MTP® is a registered trademark of US Conec Ltd., USA

OpDAT wire Fanout MTP-M/12xLC-S OS2, 0.3 m

P/N

151P5TMJO003A

EAN 4251394656236

2025/06/25

Version: G

Technical Data

General Data

Fields of application	data center
Mechanical measurement according to MICE	M1
Ingress measurement according to MICE	I1
Climatic measurement according to MICE	C1
Electromagnetic measurement according to MICE	E3
Design	Wire Fanout
Transmission technology	Fiber optic
Wiring	Polarity A
Color	blue
Color coding fiber/ wire(s)	EIA/TIA 598
Dimensions	
Dimension (L x W x H)	31.9 mm x 4.47 mm x 4.47 mm
Dimension (L x W x H)	1.256 in. x 0.176 in. x 0.176 in.
Mode type of the fiber	Singlemode
Fiber class	OS2
Cable Type	Wire Fanout
Number of cables/ buffered fibers	12
Number of fibres each cable/ wire	1
Shape	UPC (Ultra Physical Contact)/APC (Angled Physical Contact)
Fiber construction	9/125 µm
Cable length (m)	0.3 m

Transmission characteristics

Transmission rate up to 100 MBit (Fast Ethernet)	yes
Transmission rate up to 1 GBit (Fast Ethernet)	yes
Transmission rate up to 10 GBit	yes
Transmission rate up to 100 GBit	ja

OpDAT wire Fanout MTP-M/12xLC-S OS2, 0.3 m

P/N

151P5TMJO003A

EAN 4251394656236

2025/06/25

Version: G

Technical Data

Connections/interfaces

Connector technology interface 1	MPO/MTP®
Connector technology interface 2	LC
Primary coating diameter	0.25 mm
Primary coating diameter	0.01 in.
Secondary coating diameter	0.9 mm
Secondary coating diameter	0.035 in.
Ferrule diameter	1.25 mm
Ferrule diameter	0.049 in.

Optical characteristics

Insertion loss	max. 0,35 dB
Return loss	min. 50 dB

Mechanical data

Connector type	simplex
Insertion and withdrawal force	min. 5 N
Minimum bending radius	7.5 mm
Minimum bending radius	0.295 in.

Materials and material properties

Bend insensitivity	yes
Halogen free	yes
RoHS	compliant

Environmental conditions

Temperature (min. - max.)	
Temperature - Operating °C	-10 °C - 60 °C
Temperature - Operating °F	14 °F - 140 °F
Temperature - Installation °C	-15 °C - 45 °C
Temperature - Installation °F	5 °F - 113 °F

OpDAT wire Fanout MTP-M/12xLC-S OS2, 0.3 m

P/N

151P5TMJO003A

EAN 4251394656236

2025/06/25

Version: G

Technical Data

Standards/Regulations

Generic cabling systems

General requirements	ISO/IEC 11801 DIN EN 50173
----------------------	------------------------------

FOCIS - Fiber Optic Connector Intermateability Standard	ANSI/TIA-604-5-D
---	------------------

Optical fibers: Indoor optical cables

Family specification for multi-fibre optical cables	ISO/IEC 60794-2-20
---	--------------------

Optical fibers - Interconnecting devices and passive components - basic test and measuring methods

Fibre optic interconnecting devices and passive components - Visual inspection of plug end face	IEC 61300-3-4 IEC 61300-3-6
---	-------------------------------

ITU-T standard	ITU-T G.657.A2 and G.657.B2, compatible with ITU-T G.652.D
----------------	--

Classifications

ETIM 7.0	EC000748
----------	----------

ETIM 8.0	EC000748
----------	----------

ETIM 9.0	EC000748
----------	----------

Packing details

Type of packaging	1 pc(s) / plastic bag
-------------------	-----------------------

Application note

This product is a standard product of METZ CONNECT. METZ CONNECT is not aware of the specific intended use of the goods by the Customer or any customers of the Customer. The Customer guarantees that it has fully and sufficiently tested the use of the goods and any product modifications, product changes or product enhancements with regard to the specific intended use in accordance with the state of the art or in any other way. At METZ CONNECT's request, the Customer shall submit and make available meaningful evidence (e.g. test and laboratory protocols, certifications, etc.).

OpDAT wire Fanout MTP-M/12xLC-S OS2, 0.3 m

P/N

151P5TMJO03A

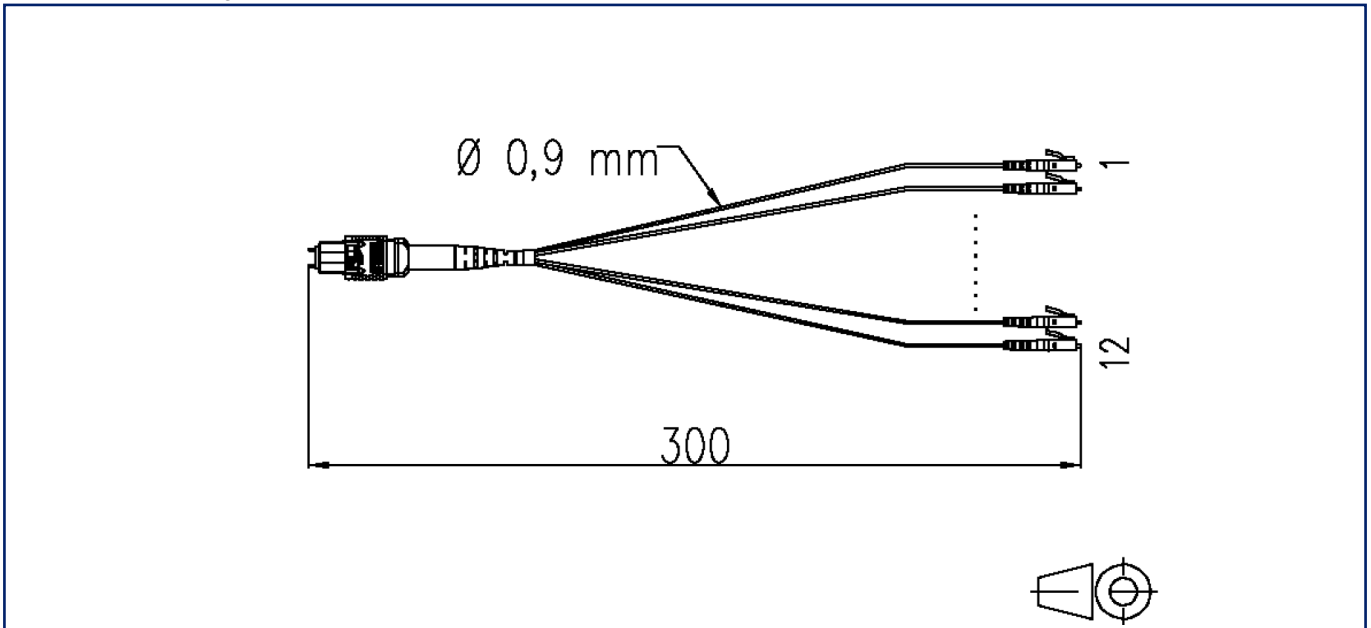
EAN 4251394656236

2025/06/25

Version: G

Illustrations

Dimensional drawing



Principle diagram

