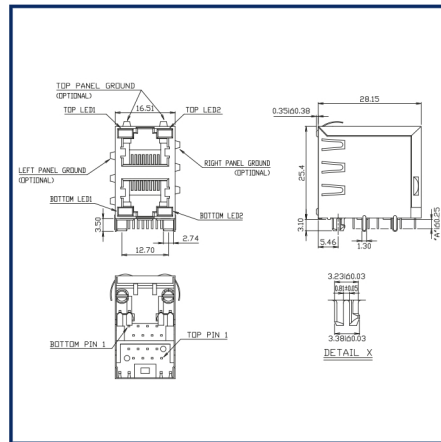


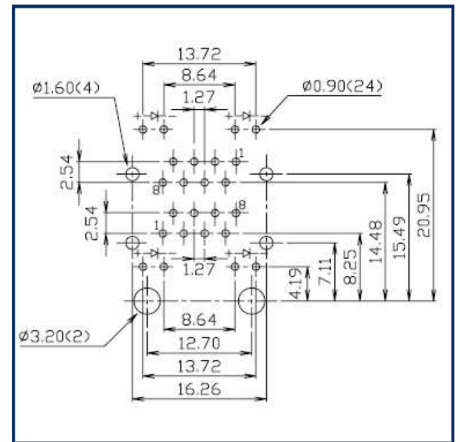
Illustrations



Dimensions



PCB layout



see enlarged drawings at the end of document

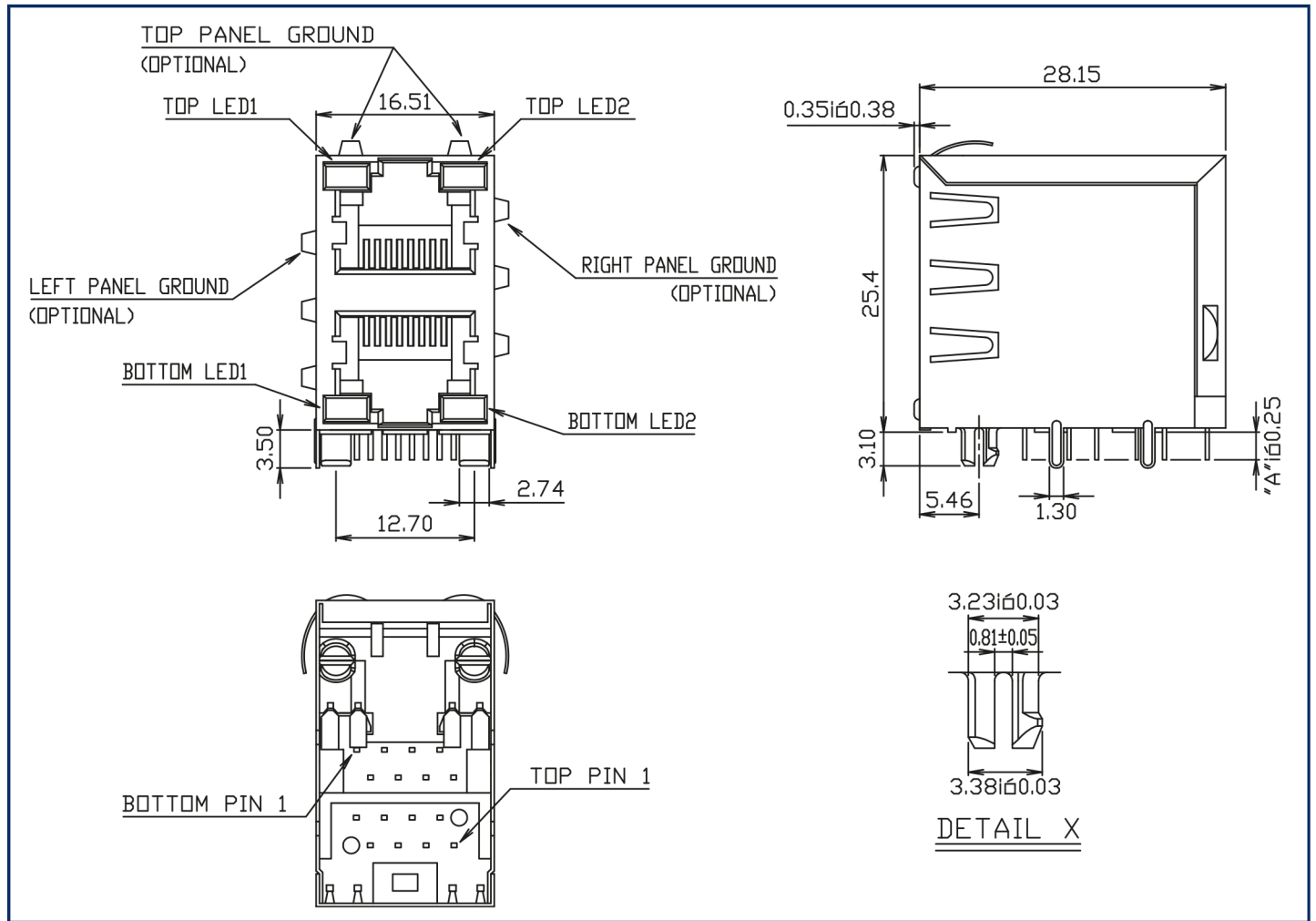
Product Information

- PC board jack RJ45, shielded
- multi port 2x1, side entry, with 8 contacts
- solderable, color metal
- L x W x H: 28.15 x 16.51 x 25.4 mm
- LED, yellow / green

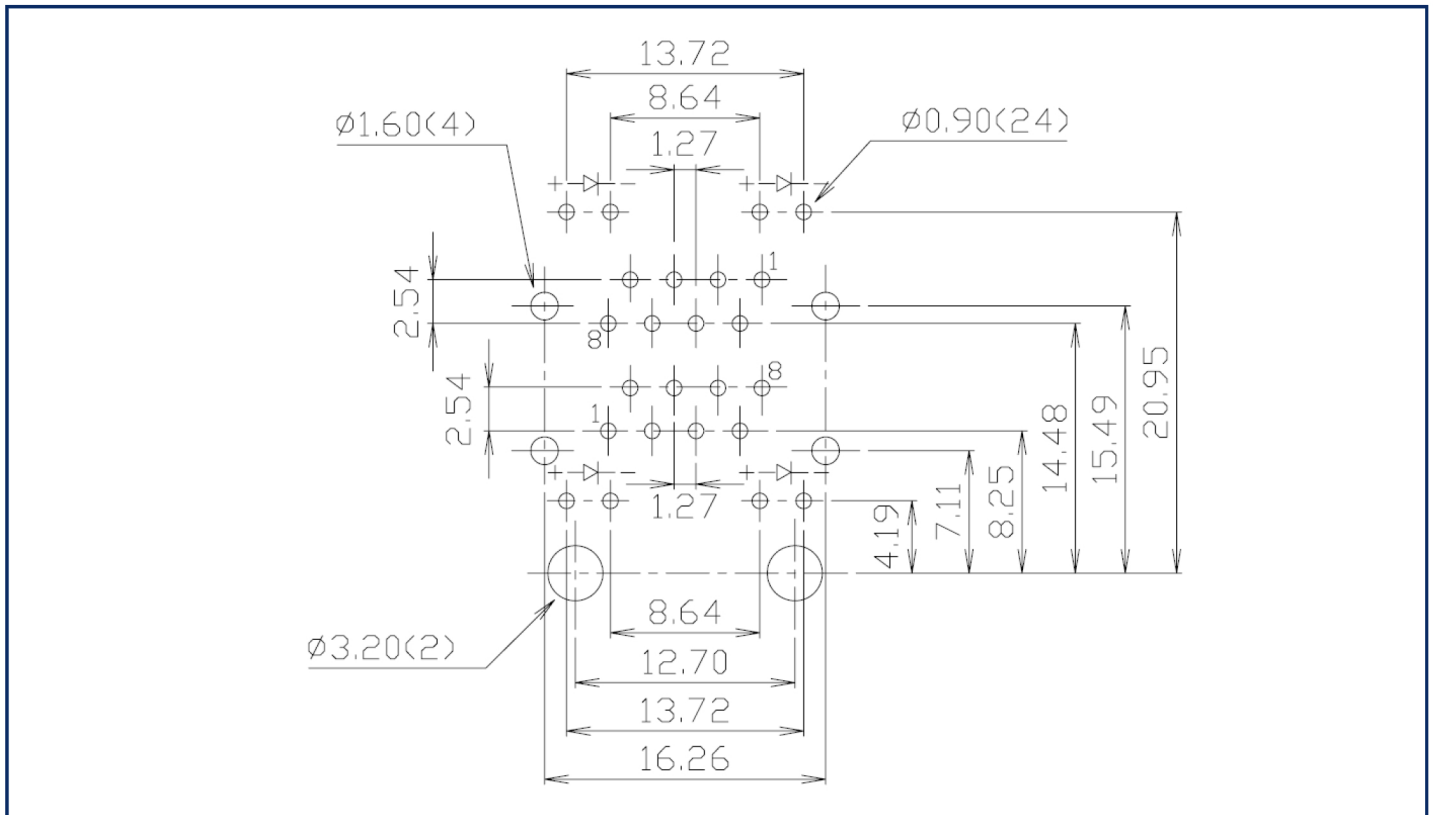
Technical Data

Soldering method	THT
Rated voltage max.	150 V
Rated Current	1 A
Contact resistance	50 mOhms
Insulation resistance	500 MOhms
Dielectrical Withstanding Voltage between contacts	1000 Vrms
Dielectrical Withstanding Voltage between contacts and shield	1500 Vrms
Contact material	CuSn
Contact surface	Gold flash 6 μ"
Shield material	copper alloy
Shield surface	Ni
Mating force max.	22.55 N
Durability plug cycles	<= 750
Insulation material	PBT, UL94V-0
Insulation color	black
Operating Temperature	-40 °C to 85 °C
Type of protection	IP20
LED 1 / LED 2	yellow / green

Dimensions



PCB layout



© 2025 METZ CONNECT - Technische Änderungen vorbehalten! Subjects to modifications!

