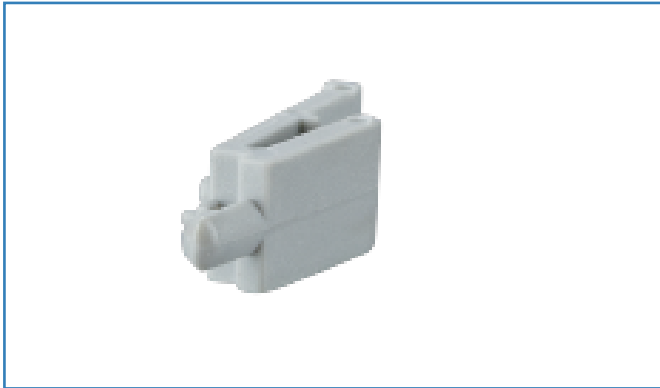
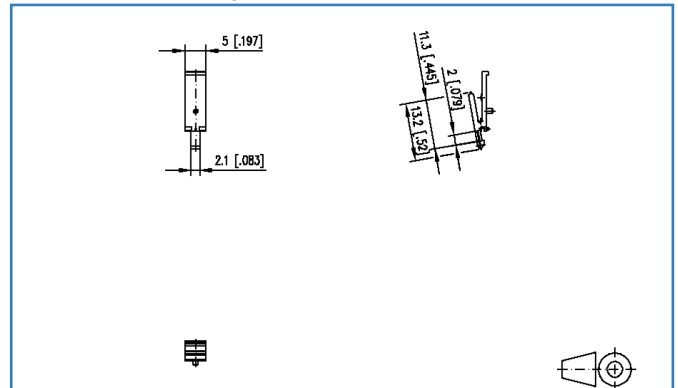


Illustrations



Dimensional drawing



See enlarged drawings at the end of document

Product specification

- The mounting flange is inserted into the mounting hole in the side of the terminal block and secured to the printed circuit board by being press fit into the hole in the printed circuit board
- Mounting flanges for left and right side are necessary for mounting.
- Variants: 720036-01-4 gray for pc board 1.0 mm / 0.039 inches, 720036-02-2 black for pc board 1.50 mm / 0.059 inches



Technical Data**Material**

insulating material	PA66
Glow-Wire Flammability GWFI	960 °C acc. to IEC 60695-2-12
Glow-Wire Flammability GWIT	775 °C acc. to IEC 60695-2-13



Zubehör von

P/N	Designation
ASP025	SP025xxHDNC ASP025
ASP0250599-000	SP02505HMNC000 PROFINET
ASP029	SP029xxHDNC ASP029



Illustrations

Dimensional drawing

