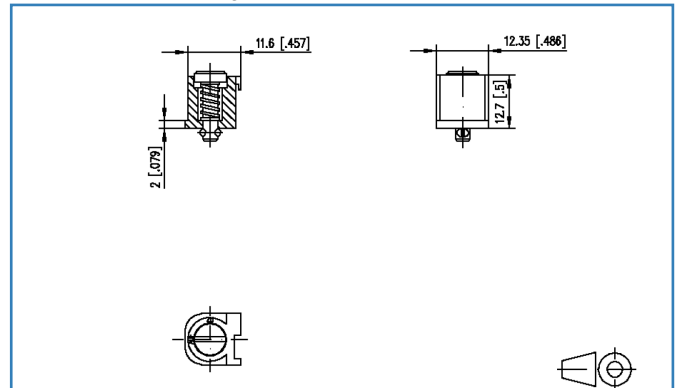


Illustrations



Dimensional drawing



See enlarged drawings at the end of document

Product specification

- The latching flanges are attached to the side of the terminal block and secured to the printed circuit board with a quarter turn of the screw
- Latching flanges for left and right side are necessary for mounting.
- Variants: 710084 right, 710085 left



Technical Data

Material

insulating material	PA66
spring material	Spring steel
screw surface	Ni
Glow-Wire Flammability GWFI	960 °C acc. to IEC 60695-2-12
Glow-Wire Flammability GWIT	775 °C acc. to IEC 60695-2-13



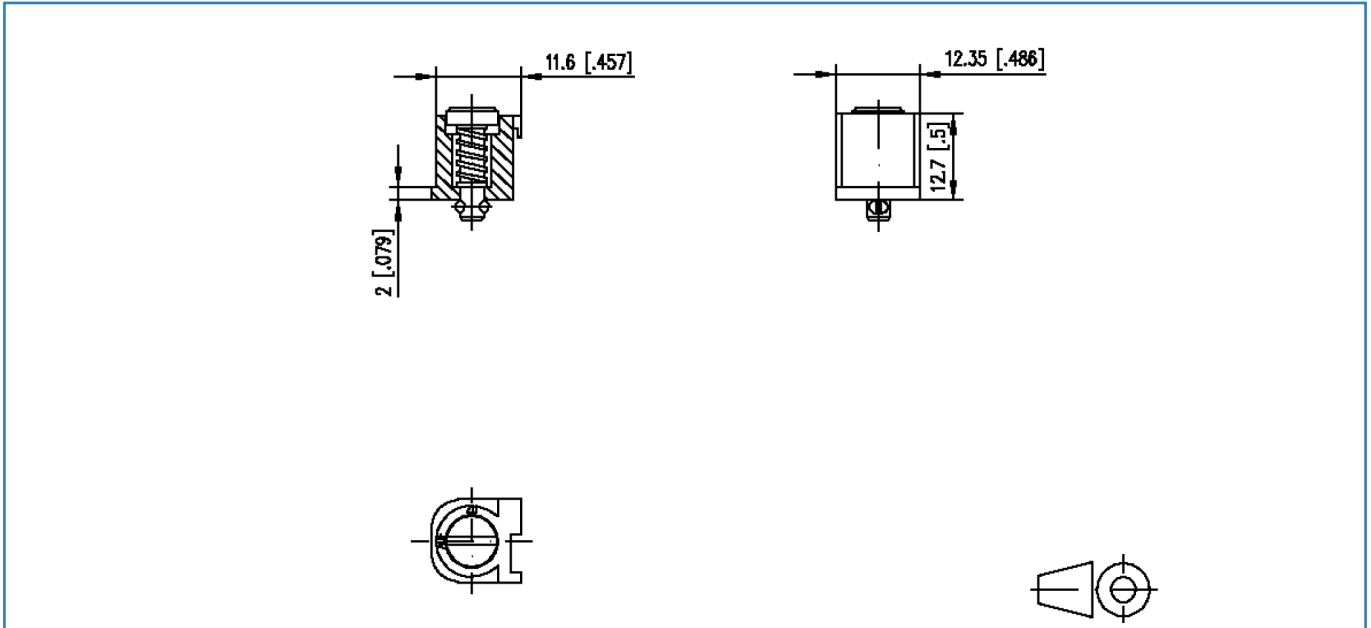
Zubehör von

P/N	Designation
310071	RP025xxIBWC Typ 007
310072	RP029xxIBWC Typ 007
311071	RP025xxHBWC Typ 107
311072	RP029xxHBWC Typ 107
311081	RP025xxMBWC Typ 108
311082	RP029xxMBWC Typ 108



Illustrations

Dimensional drawing



© 2019 METZ CONNECT - Technische Änderungen vorbehalten! Subject to modifications! Sous réserve de modifications techniques!

