

# Data sheet

## Industry patch cord RJ45 Cat.6A PUR 1.0 m

Page 1/7

P/N  
142M2X55010

EAN 4251394614465

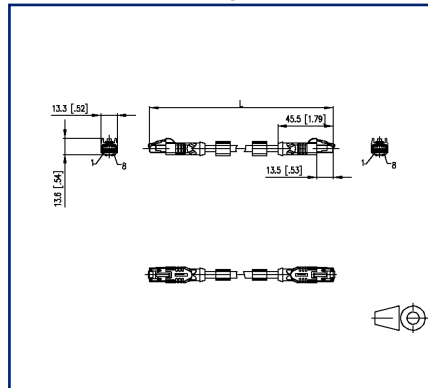
2025/06/04

Version: J

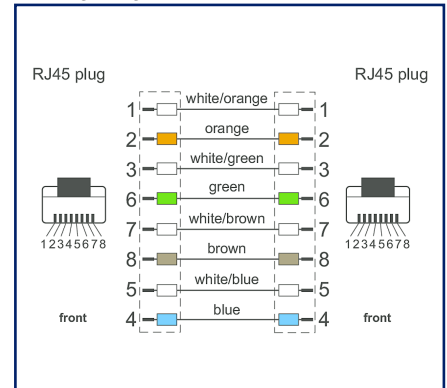
### Illustrations



Dimensional drawing



Wiring diagram



See enlarged drawings at the end of document

### Product specification

Shielded PUR cable for safe and industrial data transmission in automation and fieldbus technology. The cable fulfils the requirements according to ULStyle 20963 and complies with the specifications according to Cat7 (electrical properties based on EN50288-4-2). The materials and the constructive design allow increased mechanical load (abrasion, bending, vibration, etc.) of the cable. Special properties: UL style 20963, seawater resistant, recyclable, LABS-free, RoHs compliant, acid and alkali resistant, UV-resistant, hydrolysis-resistant, halogen-free, oil-resistant, high flexibility, no corrosive gases, microbe-resistant, no fire propagation

- fully shielded RJ45 patchcord Cat.6A AWG 26/7
- suitable for 10 GBit Ethernet (IEEE 802.3an)
- cable boot moulded with integrated latching lever protection
- cable jacket PUR
- standard variants: 1.0 m, 2.0 m, 5.0 m, 10.0 m
- other cable lengths on request

# Industry patch cord RJ45 Cat.6A PUR 1.0 m

P/N  
142M2X55010

EAN 4251394614465

2025/06/04

Version: J

## Technical Data

General Data	
Fields of application	Industrial Ethernet harsh environment
Design	Ethernet-Connection line
Shielding	shielded
Transmission technology	Copper
Cable Type	S/FTP
Number of twisting elements	4
Twisting element	Pair
Wiring	T568B
Color coding fiber/ wire(s)	white/orange, orange, white/green, green, white/brown, brown, white/blue, blue
Color	green
Dimensions	
Dimension - Interface 1 (L x W x H)	45.5 mm x 13.3 mm x 13.6 mm
Dimension - Interface 1 (L x W x H)	1.791 in. x 0.524 in. x 0.535 in.
Dimension - Interface 2 (L x W x H)	45.5 mm x 13.3 mm x 13.6 mm
Dimension - Interface 2 (L x W x H)	1.791 in. x 0.524 in. x 0.535 in.
Cable length (m)	1 m
Weight	48 kg/km
Labeling option	identification label carrier

Transmission characteristics	
Category (ISO)	6 <sub>A</sub>

Connections/interfaces	
Connector technology interface 1	RJ45 plug
Connector technology interface 2	RJ45 plug
Number of positions/contacts interface 1	8
Number of positions/contacts interface 2	8
Termination data, stranded wire (min. - max.)	
Conductor cross section, stranded wire	AWG 26/7
Conductor diameter, stranded wire (bare copper)	0.48 mm
Conductor diameter, stranded wire (bare copper)	0.019 in.

# Industry patch cord RJ45 Cat.6A PUR 1.0 m

P/N

142M2X55010

EAN 4251394614465

2025/06/04

Version: J

## Technical Data

### Connections/interfaces

Cable sheath diameter (min. - max.)

Cable sheath diameter	6.4 mm
Cable sheath diameter	0.236 in.

### Electrical characteristics

Current carrying capacity	1 A at 40 °C
Rated voltage	60 V DC
Insulation resistance	min. 100 MOhm

### Mechanical data

Life - Number of mating cycles	min. 750
Bending radius without load	min. 64 mm
Maximum operating bending radius	64 mm
Maximum operating bending radius	2.52 in.
Maximum installation load	32 mm
Maximum installation load	1.26 in.
Shielding braid coverage	70 %

### Materials and material properties

Material - Conductor	Cu (copper)
Material - Conductor Insulation	Polyethylene
Material - Cable jacket	PUR
Material - Body interface 1	Plastics
Material - Body interface 2	Plastics
Material - Contact interface 1	CuZn
Material - Contact interface 2	CuZn
Material - Contact finish interface 1	Au (gold)
Material - Contact finish interface 2	Au (gold)
Material - Contact carriers interface 1	Plastics
Material - Contact carriers interface 2	Plastics
Material - Pair shield	plastic film
Material - Pair shield finish	Al (Aluminium)
Material - Main shield	Cu (copper) braid
Material - Main shield finish	Sn

# Industry patch cord RJ45 Cat.6A PUR 1.0 m

P/N  
142M2X55010

EAN 4251394614465

2025/06/04

Version: J

## Technical Data

### Materials and material properties

Flame retardancy	according to IEC 60332-1-2
Halogen free	yes
Oil resistance	yes
RoHS	compliant

### Environmental conditions

Temperature (min. - max.)	
Temperature - Operating °C	-40 °C - 80 °C
Temperature - Operating °F	-40 °F - 176 °F
Particulate ingress interface 1	IP2X when plugged in
Liquid ingress/immersion interface 1	IPX0 when plugged in
Particulate ingress interface 2	IP2X when plugged in
Liquid ingress/immersion interface 2	IPX0 when plugged in
Pollution degree interface 1	1
Pollution degree interface 2	1

### Approvals

UL listed (file no.)



DUXR.E178484

### Standards/Regulations

Generic cabling systems	
General requirements	ISO/IEC 11801-1   DIN EN 50173-1
Profinet	yes
Connectors for electronic equipment	
Free and fixed connectors	IEC 60603-7-51
Multi-element metallic cables used in analogue and digital communication and control	DIN EN 50288-4-2
Test for vertical flame propagation for a single insulated wire or cable	IEC 60332-1-2
Measurement of smoke density of cables burning	IEC 61034
Determination of the halogen acid gas content	IEC 60754-1
Insulating and sheathing materials of cables and insulated wire - General test methods	DIN EN 60811-2-1
Copper and copper alloys - Drawn round copper wire for the production of electrical conductors	DIN EN 13602 Cu-ETP-A...   DIN EN 13602 Cu-ETP-A...-B

Data sheet

Page 5/7

**Industry patch cord RJ45 Cat.6A PUR 1.0 m**

P/N

142M2X55010

EAN 4251394614465

2025/06/04

Version: J

**Technical Data****Classifications**

ETIM 7.0	EC002599
ETIM 8.0	EC002599
ETIM 9.0	EC002599

**Packing details**

Type of packaging	1 pc(s) / plastic bag
-------------------	-----------------------

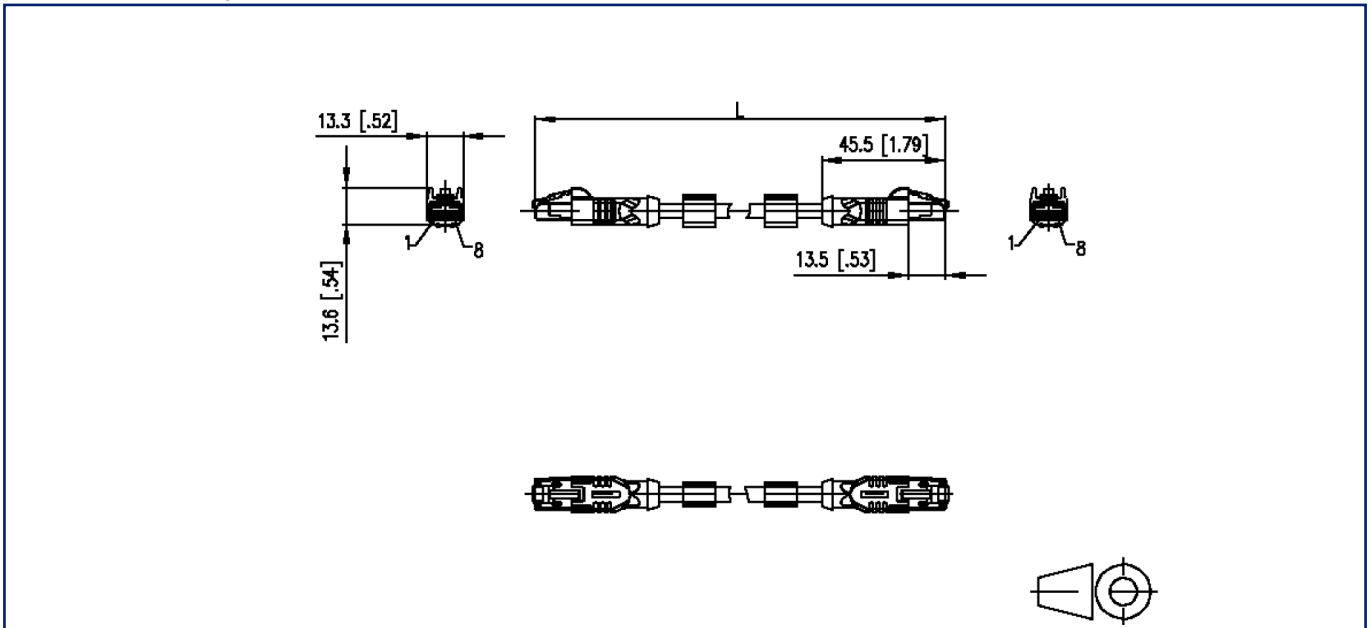
**Application note**

This product is a standard product of METZ CONNECT. METZ CONNECT is not aware of the specific intended use of the goods by the Customer or any customers of the Customer. The Customer guarantees that it has fully and sufficiently tested the use of the goods and any product modifications, product changes or product enhancements with regard to the specific intended use in accordance with the state of the art or in any other way. At METZ CONNECT's request, the Customer shall submit and make available meaningful evidence (e.g. test and laboratory protocols, certifications, etc.).

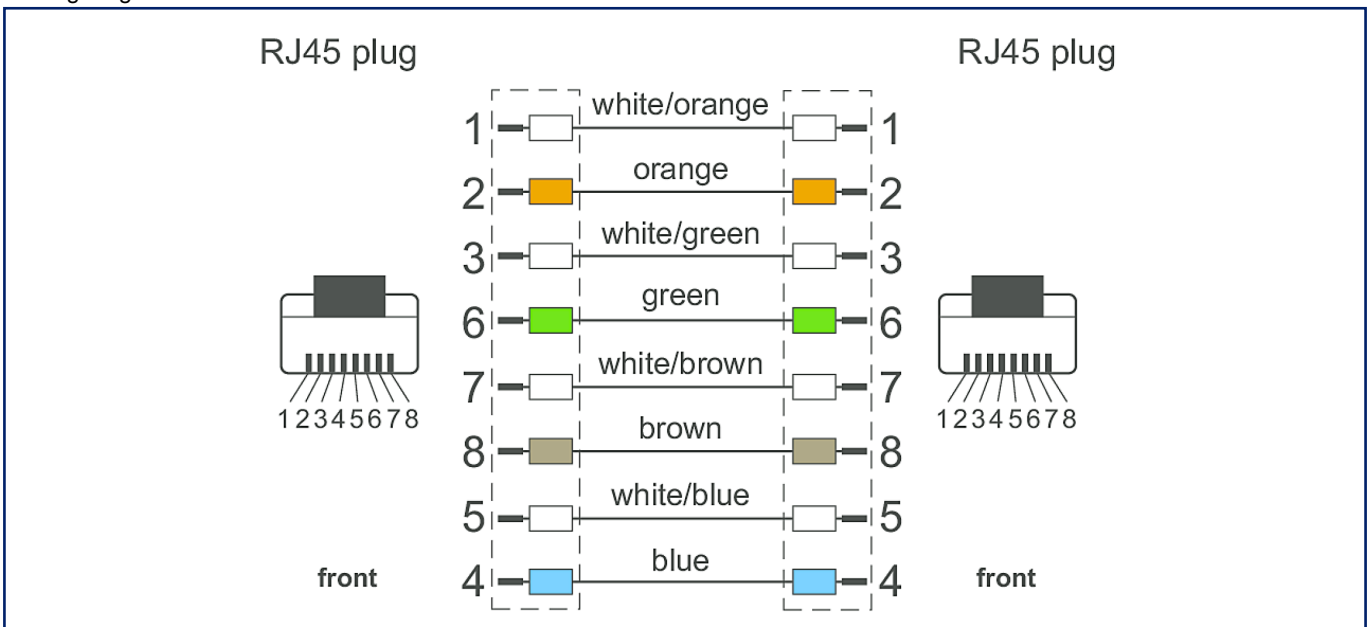


**Illustrations**

Dimensional drawing



Wiring diagram



Data sheet

Page 7/7

## Industry patch cord RJ45 Cat.6A PUR 1.0 m

P/N

142M2X55010

EAN 4251394614465

2025/06/04

Version: J

### Illustrations

Principle diagram

