

Data sheet**Industry color coding clip field plug blue**

Page 1/3

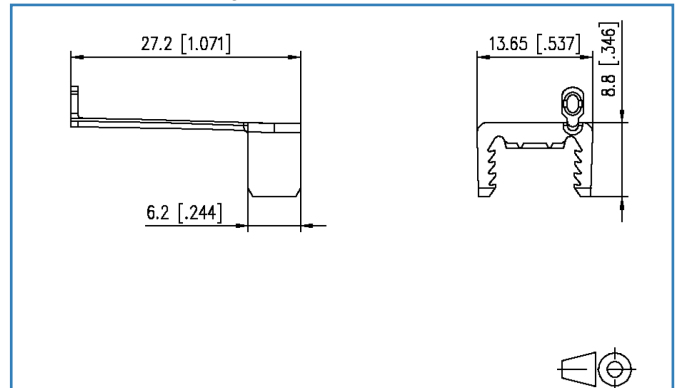
P/N

1401009106-I

EAN 4250184115199

2019/09/26

Version: K

Illustrations**Dimensional drawing**

See enlarged drawings at the end of document

Product specification

- colored, easy to actuate strain relief for E-DAT Industry IP20 RJ45 field plug
- can be mounted after assembling the plug
- variants: orange, light gray, white, yellow, blue, green, red



Industry color coding clip field plug blue

P/N

1401009106-I

EAN 4250184115199

2019/09/26

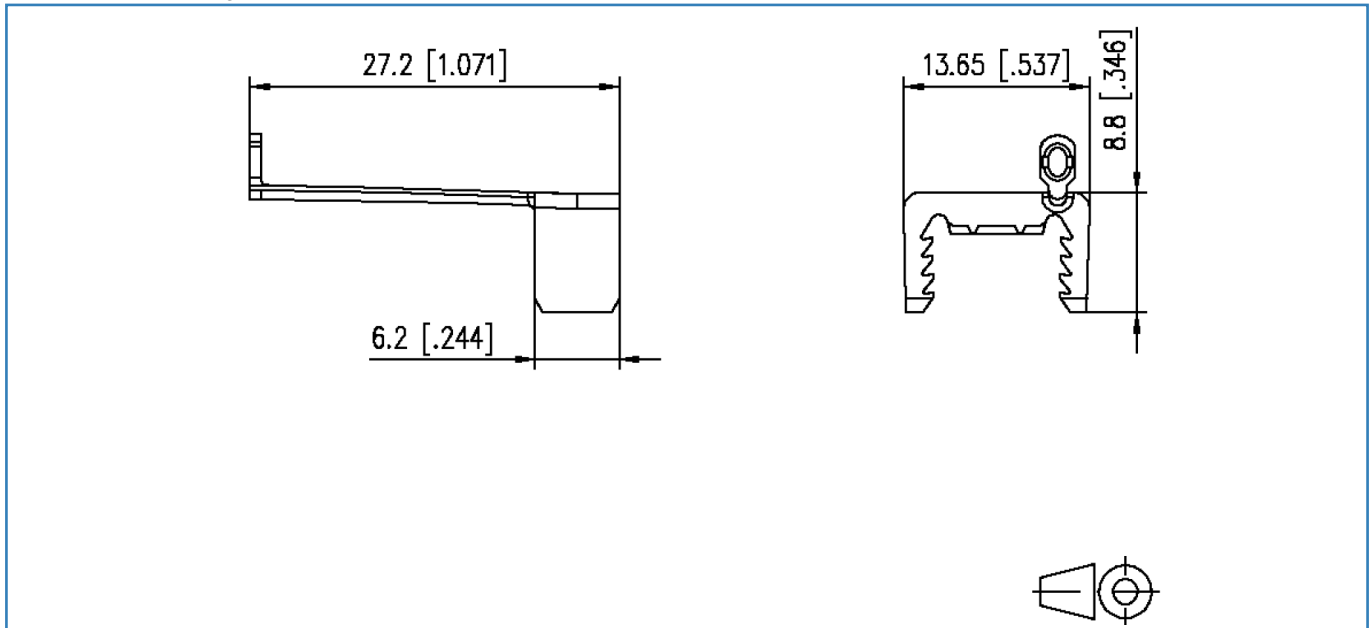
Version: K

Technical Data

General Data	
Mounting style	Accessories
Color	blue
Dimensions	
Dimension (L x W x H)	27.2 mm x 13.65 mm x 8.8 mm
Dimension (L x W x H)	1.071 in. x 0.537 in. x 0.346 in.
Materials and material properties	
Material	Plastics
RoHS	compliant
Classifications	
ETIM 5.0	EC000766
ETIM 6.0	EC000766
ETIM 7.0	EC000766
Packing details	
Type of packaging	10 pc(s) / plastic bag
Packaging unit - Weight (gram)	13 g
Packaging unit - Weight (pound)	0.03 lb
Packaging dimension	160 mm x 100 mm x 380 mm
Packaging dimension	6.299 in. x 3.937 in. x 14.961 in.

Illustrations

Dimensional drawing



© 2019 METZ CONNECT - Technische Änderungen vorbehalten! Subject to modifications! Sous réserve de modifications techniques!

