

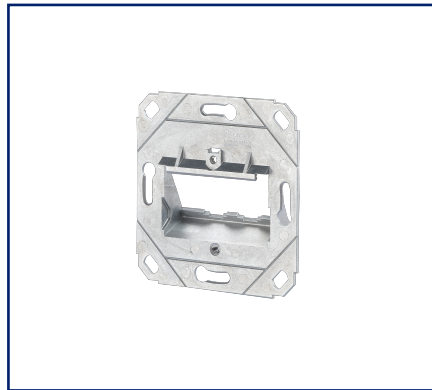
# Data sheet

## Modul wall outlet flush mounted without cover 2 port unequipped

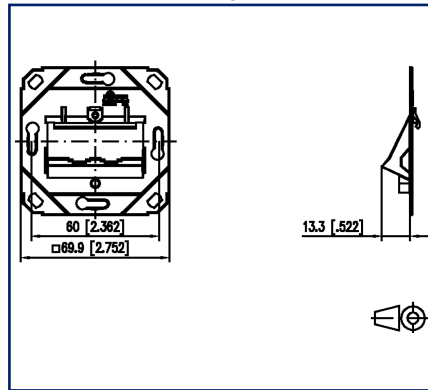
Page 1/6

P/N  
1309151200-E  
EAN 4250184106012  
2025/07/08  
Version: AA

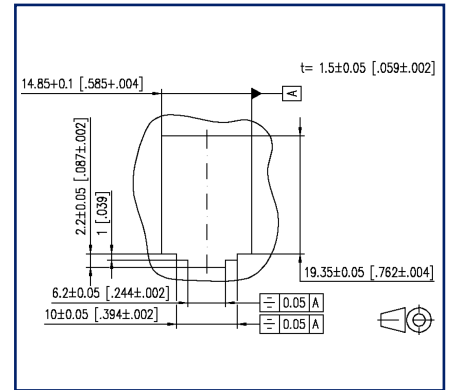
### Illustrations



Dimensional drawing



Cut-out



See enlarged drawings at the end of document

### Product specification

- termination unit for individual modules in Modul design
- module plug direction 45° downwards
- strain relief on module
- without cover parts
- compatible with design central units of switch lines
- variants: 1/3-port, 2 ports

# Modul wall outlet flush mounted without cover 2 port unequipped

P/N

1309151200-E

EAN 4250184106012

2025/07/08

Version: AA

## Technical Data

### General Data

Fields of application	office areas
Mechanical measurement according to MICE	M1
Ingress measurement according to MICE	I1
Climatic measurement according to MICE	C1
Electromagnetic measurement according to MICE	E3
Design	wall outlet
Mounting style	UP0
Color	metallike
Dimensions	
Dimension (L x W x H)	13.3 mm x 69.9 mm x 69.9 mm
Dimension (L x W x H)	0.524 in. x 2.752 in. x 2.752 in.
Modularity	yes

### Connections/interfaces

Number of ports interface 2	2
Number of ports interface 2 equipped	0
Module plug-in direction	45° downwards

### Mechanical data

Cut-out	MC module
strain relief	attached to module

### Materials and material properties

Material - Supporting frame	GD-Zn
Halogen free	yes
RoHS	compliant

### Approvals

UL listed (file no.)



DUXR.E178484

Data sheet

Page 3/6

**Modul wall outlet flush mounted without cover 2 port  
unequipped**

P/N

1309151200-E

EAN 4250184106012

2025/07/08

Version: AA

**Technical Data****Classifications**

ETIM 7.0	EC001264
ETIM 8.0	EC001264
ETIM 9.0	EC001264
ETIM 10.0	EC001264

**Packing details**

Type of packaging 10 pc(s) / box

**Application note**

This product is a standard product of METZ CONNECT. METZ CONNECT is not aware of the specific intended use of the goods by the Customer or any customers of the Customer. The Customer guarantees that it has fully and sufficiently tested the use of the goods and any product modifications, product changes or product enhancements with regard to the specific intended use in accordance with the state of the art or in any other way. At METZ CONNECT's request, the Customer shall submit and make available meaningful evidence (e.g. test and laboratory protocols, certifications, etc.).



# Modul wall outlet flush mounted without cover 2 port unequipped

P/N  
1309151200-E

EAN 4250184106012

2025/07/08

Version: AA

## Accessories

P/N	Designation
130829-01-I	Surface mount frame 85 x 85 x 35 mm - single, pearl white
130829-02-I	Surface mount frame 85 x 85 x 35 mm - Single, pure white
130829-27-I	Surface mount frame 85 x 85 x 35 mm - single, traffic white
130829-4301-I	Surface mount frame 85 x 85 x 43 mm - single, pearl white
130829-4302-I	Surface mount frame 85 x 85 x 43 mm - single, pure white
130829-4327-I	Surface mount frame 85 x 85 x 43 mm - single, traffic white
1308895010-I	T-Slot mounting bracket for wall outlets - horizontal mounting without 50 mm, separation cup
1308895011-I	T-Slot mounting bracket for wall outlets - horizontal mounting 50 mm, with separation cup
1308895020-I	DIN Rail mounting bracket for wall outlets - horizontal mounting 50 mm, without separation cup
1308895021-I	DIN Rail mounting bracket for wall outlets - horizontal mounting 50 mm, with separation cup
1308895040-I	T-Slot mounting bracket for wall outlets - vertical mounting 50 mm, without separation cup
1308895041-I	T-Slot mounting bracket for wall outlets - vertical mounting 50 mm, with separation cup
1308895220-I	DIN rail mounting bracket for wall outlets - horizontal mounting 52 mm, without separation cup
1308895221-I	DIN rail mounting bracket for wall outlets - horizontal mounting 52 mm, with separation cup
1308895510-I	T-Slot mounting bracket for wall outlets - horizontal mounting 55 mm, without separation cup
1308895511-I	T-Slot mounting bracket for wall outlets - horizontal mounting 55 mm, with separation cup
1308895520-I	DIN rail mounting bracket for wall outlets - horizontal mounting 55 mm, without separation cup
1308895521-I	DIN rail mounting bracket for wall outlets - horizontal mounting 55 mm, with separation cup
1308895540-I	T-Slot mounting bracket for wall outlets - vertical mounting 55 mm, without separation cup
1308895541-I	T-Slot mounting bracket for wall outlets - vertical mounting 55 mm, with separation cup
130889ADTK-I	Mounting bracket ADTK for OBO
130889ADTSA-I	Mounting bracket ADTSA for OBO
130889FKH-I	Mounting bracket FR for Kleinhuis
130889FNI-I	Mounting bracket FR for Niedax

Data sheet

Page 5/6

## Modul wall outlet flush mounted without cover 2 port unequipped

P/N

1309151200-E

EAN 4250184106012

2025/07/08

Version: AA

### Accessories

130889FTE-I	Mounting bracket FR for Tehalit
130910-DNV	E-DAT modul Cat.6 <sub>A</sub> 8(8) jack DNV
130910-I	E-DAT modul Cat.6 <sub>A</sub> 8(8) jack
130910-I-B1	E-DAT modul Cat.6 <sub>A</sub> 8(8) jack, T568B
130910-Z	E-DAT modul Cat.6 <sub>A</sub> 8(8) jack, (12 pcs)
1309A0-I	E-DAT modul coupler 8(8) 180° class E <sub>A</sub>
130B11-25-E	25Gmodul
130B11-25-Z	25Gmodul (12 pcs)
130B11-DNV	C6 <sub>A</sub> modul 180° jack DNV
130B11-E	C6 <sub>A</sub> modul 180° jack
130B11-Z	C6 <sub>A</sub> modul 180° jack (12 pcs)
820394-0105-I	Dust protection covers for wall outlets yellow
820394-0106-I	Dust protection covers for wall outlets blue
820394-0107-I	Dust protection covers for wall outlets green
820394-0108-I	Dust protection covers for wall outlets red
820395-0101-I	Cover plate 80 x 80 mm, pearl white, module
820395-0102-I	Cover plate 80 x 80 mm, pure white, module
820395-0127-I	Cover plate 80 x 80 mm, traffic white, modul
860210-0202-I	Central plate 50 x 50 mm 2 port, pure white, modul
860210-0227-I	Central plate 50 x 50 mm 2 port, traffic white, modul
860210-02-I	Central plate 50 x 50 mm 2 port, pearl white, modul
899650-01	Label sheet for wall outlets

Data sheet

Page 6/6

**Modul wall outlet flush mounted without cover 2 port  
unequipped**

P/N

1309151200-E

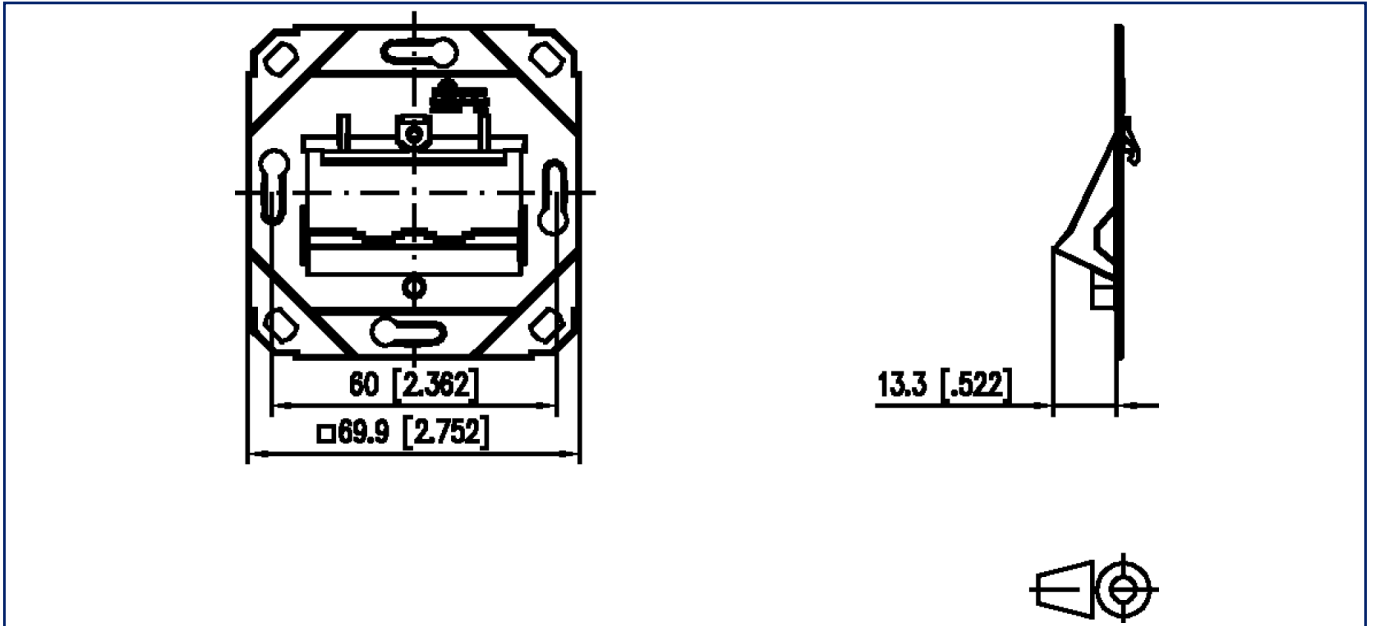
EAN 4250184106012

2025/07/08

Version: AA

**Illustrations**

Dimensional drawing



Cut-out

