

Data sheet

COAX modul IEC jack / F jack

Page 1/6

P/N
130898-02-I

EAN 4250184105312

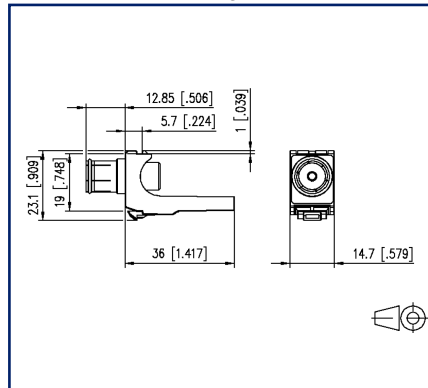
2025/09/17

Version: AH

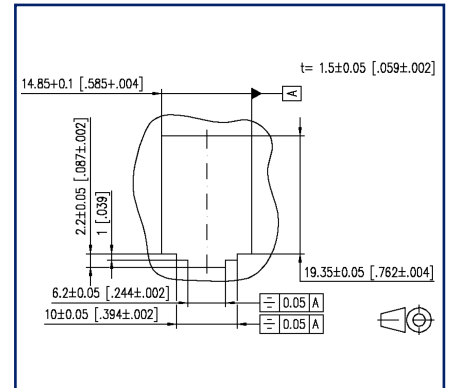
Illustrations



Dimensional drawing



Cut-out



See enlarged drawings at the end of document

Product specification

- Coax connector with adapter in module design, suitable for module applications
- front connection: for IEC plug
- rear connection: for F plug
- 75-Ohm throughput coupling
- without terminator and coupler elements



Data sheet
COAX modul IEC jack / F jack

Technical Data

General Data

| | |
|---|-----------------------------------|
| Mechanical measurement according to MICE | M1 |
| Ingress measurement according to MICE | I1 |
| Climatic measurement according to MICE | C1 |
| Electromagnetic measurement according to MICE | E1 |
| Design | Jack |
| Shielding | shielded |
| Transmission technology | Copper |
| Color | light gray |
| Dimensions | |
| Dimension (L x W x H) | 48.85 mm x 14.7 mm x 23.1 mm |
| Dimension (L x W x H) | 1.923 in. x 0.579 in. x 0.909 in. |
| Modularity | yes |

Connections/interfaces

| | |
|--------------------------------------|---|
| Number of ports interface 1 | 1 |
| Number of ports interface 2 | 1 |
| Number of equipped ports interface 1 | 1 |
| Number of ports interface 2 equipped | 1 |

Mechanical data

| | |
|---------|-----------|
| Cut-out | MC module |
|---------|-----------|

Materials and material properties

| | |
|--------------|-----------|
| Halogen free | yes |
| RoHS | compliant |

Classifications

| | |
|-----------|----------|
| ETIM 7.0 | EC001135 |
| ETIM 8.0 | EC001135 |
| ETIM 9.0 | EC001135 |
| ETIM 10.0 | EC001135 |

Data sheet

Page 3/6

COAX modul IEC jack / F jack

P/N

130898-02-I

EAN 4250184105312

2025/09/17

Version: AH

Technical Data**Packing details**

Type of packaging 10 pc(s) / box

Application note

This product is a standard product of METZ CONNECT. METZ CONNECT is not aware of the specific intended use of the goods by the Customer or any customers of the Customer. The Customer guarantees that it has fully and sufficiently tested the use of the goods and any product modifications, product changes or product enhancements with regard to the specific intended use in accordance with the state of the art or in any other way. At METZ CONNECT's request, the Customer shall submit and make available meaningful evidence (e.g. test and laboratory protocols, certifications, etc.).



COAX modul IEC jack / F jack

P/N

130898-02-I

EAN 4250184105312

2025/09/17

Version: AH

Accessories from

| P/N | Designation |
|----------------|---|
| 130861-0202-E | Modul surface mount housing 2 port pure white, unequipped |
| 130861-0302-E | Modul surface mount housing 3 port pure white, unequipped |
| 130861-0402-E | Modul surface mount housing 4 port pure white, unequipped |
| 130861-0602-E | Modul surface mount housing 6 port pure white, unequipped |
| 130861-0802-E | Modul surface mount housing 8 port pure white, unequipped |
| 130861-1202-E | Modul surface mount housing 12 port pure white, unequipped |
| 130861-1602-E | Modul surface mount housing 16 port pure white, unequipped |
| 130861-2402-E | Modul surface mount housing 2x12 port pure white, unequipped |
| 130898018003-E | REGplus IRT-FF COAX F/F |
| 1309107003-E | REGplus IP20 E-DAT modul |
| 1309108003-E | REGplus IP20 FF E-DAT modul K |
| 130920-00-E | Modul 19 inches module frame 1RU 24 Port light gray unequipped, shielded |
| 130920-BK-E | Modul 19 inches module frame 1RU 24 port black unequipped, shielded |
| 130920-E | E-DAT modul 24x8(8) 1RU patch panel Cat.6 _A , light gray |
| 130921-00-E | Modul 19 inches module frame 1RU 24 port stainless steel unequipped |
| 130921-E | E-DAT modul 24x8(8) 1RU patch panel Cat.6 _A , stainless steel |
| 130922-00-E | 6 port module frame 1RU |
| 130922-02-E | E-DAT modul 6x8(8) 3RU patch panel Cat.6 _A |
| 130922-03-E | E-DAT modul 6x8(8) for 1RU patch panel Cat.6 _A |
| 130924-00-E | Modul 19 inches module frame 1.5RU 48 port stainless steel unequipped |
| 130924-E | E-DAT modul 48x8(8) 1.5RU patch panel Cat.6 _A , stainless steel |
| 130927-1200-E | SmartConnect Patchpanel 12 ports MC module |
| 130927-1600-E | SmartConnect Patchpanel 16 ports MC module |
| 130927-2400-E | SmartConnect Patchpanel 24 ports MC module |
| 1309426003-E | E-DAT modul REG 1 port IP20 light gray |
| 1309427103-E | Modul REGplus IP20 light gray unequipped |
| 1309470002-I | IP44 surface-mounted module housing with hinged cover and lock, pure white, 2 port unequipped for MC module |
| 1309470003-I | IP44 surface-mounted module housing with hinged cover and lock, gray, 2 port unequipped for MC module |
| 1309471002-I | Flush-mounted module housing with hinged cover and lock, pure white, 2 port unequipped for MC module |

COAX modul IEC jack / F jack

P/N

130898-02-I

EAN 4250184105312

2025/09/17

Version: AH

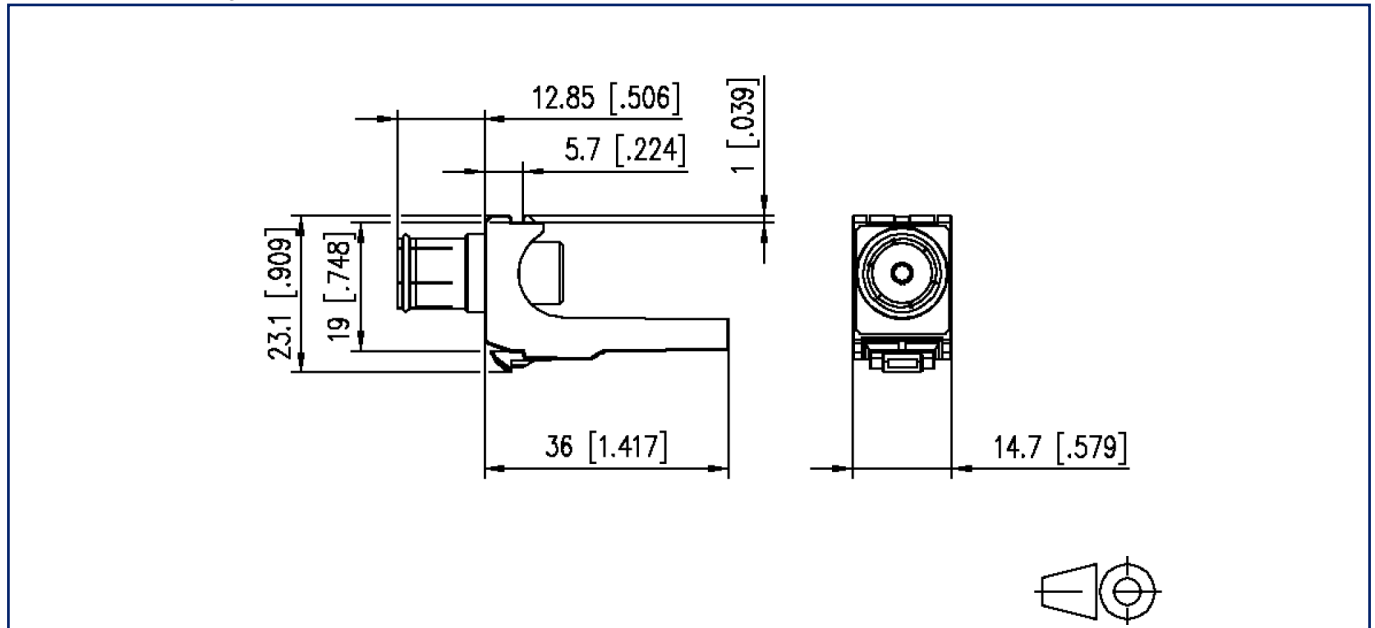
Accessories from

| | |
|---------------|--|
| 1309471003-I | Flush-mounted module housing with hinged cover and lock, gray, 2 port unequipped for MC module |
| 1309A07003-E | REGplus IP20 E-DAT modul coupler 180° |
| 1309A17003-E | REGplus IP20 E-DAT modul coupler 90° |
| 130A088003-E | REGplus IP20 FF UTPmodul Cat.5e |
| 130A108003-E | REGplus IP20 FF UTPmodul Cat.6 |
| 130A118003-E | REGplus IP20 FF UTPmodul Cat.6 _A |
| 130B10E2E-E | Modul module frame 3RU, 7HP 6 port stainless steel unequipped |
| 130B117003-E | REGplus IP20 C6 _A modul 180°M |
| 130B11P0-BK-E | C6 _A modul 24 port 180°M 1RU, black |
| 130B11P0-E | C6 _A modul 24 port 180°M 1RU, gray |
| 130B11P1-E | C6 _A modul 24 port 180°M 1RU stainless steel |
| 130B11P4-E | C6 _A modul 48 port 180°M 1.5RU stainless steel |
| 130B127003-E | REGplus IP20 C6 _A modul 270°M |
| 130B218003-E | REGplus IP20 FF C6 _A modul 180°K |
| 130B228003-E | REGplus IP20 FF C6 _A modul 270°K |
| 130D2CBU4-E | DCCS2 subassembly 4 port unequipped |
| 1503600RJ00-B | OpDAT MV hybrid 12xmodule cutouts unequipped IP65 |
| 1503600RJ00-E | OpDAT MV hybrid 12xmodule cutouts unequipped IP54 |
| 15036ZRJ00-E | OpDAT MV patch panel 12xmodule cutouts unequipped |



Illustrations

Dimensional drawing



Cut-out

